

Vaddio™ Wall Mount Shelf for TANDBERG Set-top Series Codecs
For Wall Mounting TANDBERG 990/880/770/550 MXP Set-top Codecs
Model Number 535-2000-250

OVERVIEW:

The Vaddio Wall Mount Shelf for the TANDBERG set-top series codecs is an attractive and practical method for mounting Set-top codecs directly to the wall above plasma displays or above thin-line rear projection monitors where the codec cannot fit directly on top of the display. The key features of the Vaddio Shelf are:

- Designed to fit the contours and geometry of the codec while echo the design elements
- Encloses the back plane of the codec and hides the cabling and connectors
- Constructed from lightweight aluminum and welded for strength and rigidity
- Black powder coat paint provides an attractive, tough and lasting finish
- Ample space for connectors, cables & adapters (i.e. DVI to DB-15HD adapter and cable)
- Key-hole mounting holes for speedy installations and easy camera leveling
- Large access opening in back for full access to in-wall cabling



Figure 1:
Isometric View of Wall Mount Shelf



Figure 2: Rear View of Wall Mount Shelf

UNPACKING:

Carefully remove the product and all of the parts from the packaging. Unpack and identify the following parts:

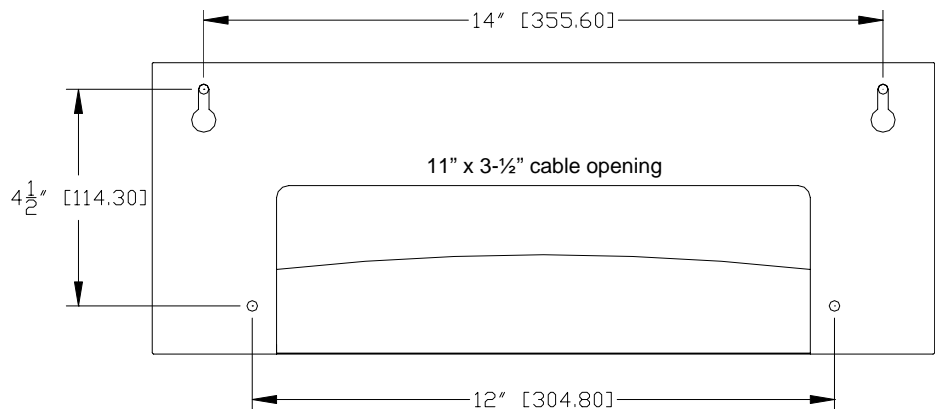
- One (1) Wall Mount Shelf for TANDBERG Set-top Codec, Part Number 535-2000-250
- Two (2) Black Plastic Mounting Screw Access Caps
- Four (4) #8 x 1- ¼" Sheet Metal Screws
- Four (4) Spiral type drywall anchors
- Manual (Document Number 341-482)

INSTALLING THE WALL MOUNT SHELF:

Note: When locating the set-top codec shelf, consider viewing angles, lighting conditions, possible line of site obstructions and check for in-wall obstructions where the camera is to be mounted. Pick a mounting location to optimize the performance of the camera. Read the step-by-step instructions fully before starting the installation.

1. Position the shelf against the wall, level the shelf and mark the hole pattern of the shelf to the wall with a long pencil. For the top key-holes, mark the top of the key-hole. The hole pattern is shown below (Figure 3).

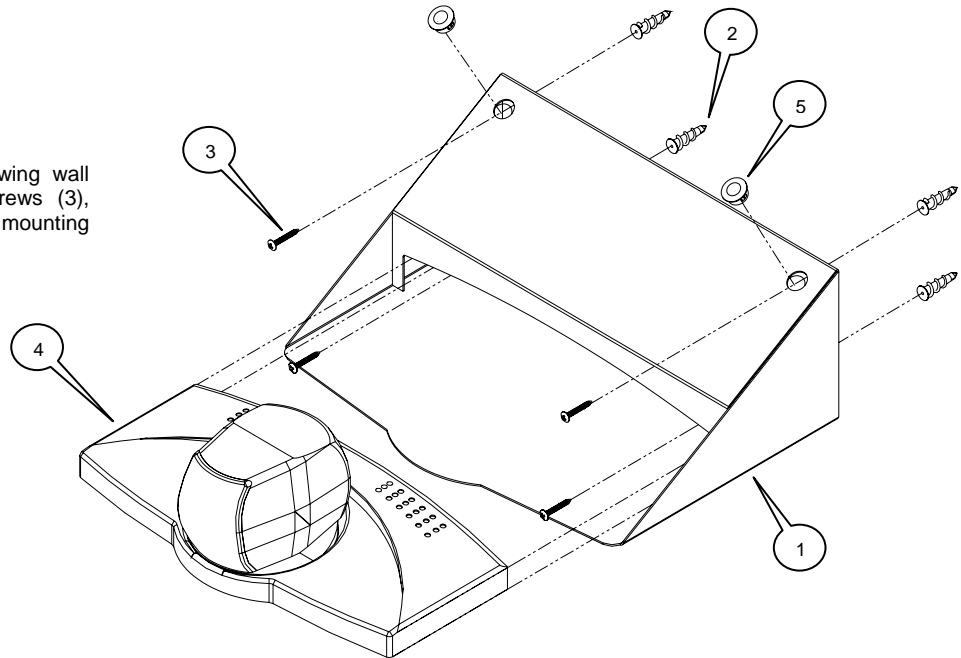
Figure 3:
Hole pattern measurements on the back of the shelf - mark the top part of the key-hole for placement of wall anchor, mark the lower screw holes, and trace the 11" x 3-½" opening on the wall with a long pencil.



Installation (continued)

2. Reaching through the body of the shelf, trace the 11" (27.94cm) x 3-1/2" (8.89cm) opening on the back of the shelf to the wall. Within this area, the in-wall cabling will enter the back of the shelf. Cut the opening into the wall for in-wall cabling smaller than the 11" x 3-1/2" area to ensure that the shelf covers the hole completely. If a wall box is used, use a single gang wall box mounted horizontally within the 11" x 3-1/2" area.
3. Verifying the hole pattern with the measurements on page 1, install the provided wall anchors. Do not mount to a drywall surface without wall anchors. The weight of the codec can not be supported by drywall and screws alone (see Figure 4).

Figure 4:
Wall Mount Shelf (1) showing wall anchors (2), mounting screws (3), TANDBERG codec (4) and mounting screw access caps (5)



4. In the top holes only, insert the provided #8 x 1- 1/4" sheet metal screws into the wall anchors, tighten these screws but stop within approximately 1/4" of being fully tight. These screws will allow for hanging the shelf.
5. Hang the shelf on the top two screws, do not tighten fully yet.
6. With a long screw driver, insert the bottom two screws into the wall anchors through the shelf body and do not fully tighten.
7. Using a level, adjust the position of the shelf and then tighten down all four (4) screws when the shelf is level. The top holes on the back of the shelf are key-holed to allow for fine adjustment when leveling the shelf.
8. Snap in the mounting screw access caps to cover the top screw access openings.
9. Cabling can be pulled through at this time or prior to Step 4 depending of the integrator's preference.
10. Terminate the codec and slide the codec into place lining the front edge of the codec with the front edge of the shelf. The cabling will be hidden and there will be plenty of room for cabling slack.

INTENDED USE:

The Vaddio Wall Mount Shelf for the Tandberg Set-top Codec was specifically designed, built and tested for use indoors and to support the weight, size and shape of the TANDBERG 990/880/770/550 MXP codecs only. Using this shelf for any other device could damage that device and/or create a potentially unsafe operating condition. This mount was not intended for use with any other set-top codecs.

HARDWARE WARRANTY:

Please see the Vaddio website at <http://www.vaddio.com> for the Vaddio Statement of Warranty for all Vaddio Products. The Statement of Warranty covers the policies and procedures of the Hardware Warranty, Exclusions, Customer Service, Technical Support, Return Material Authorizations (RMA), Voided Warranty, Shipping and Handling and Products Not Under Warranty. The Vaddio Warranty Statement supercedes all other published warranty statements in content and coverages. Vaddio Technical Support can be contacted through the Vaddio website or through e-mail support at <mailto:support@vaddio.com>.