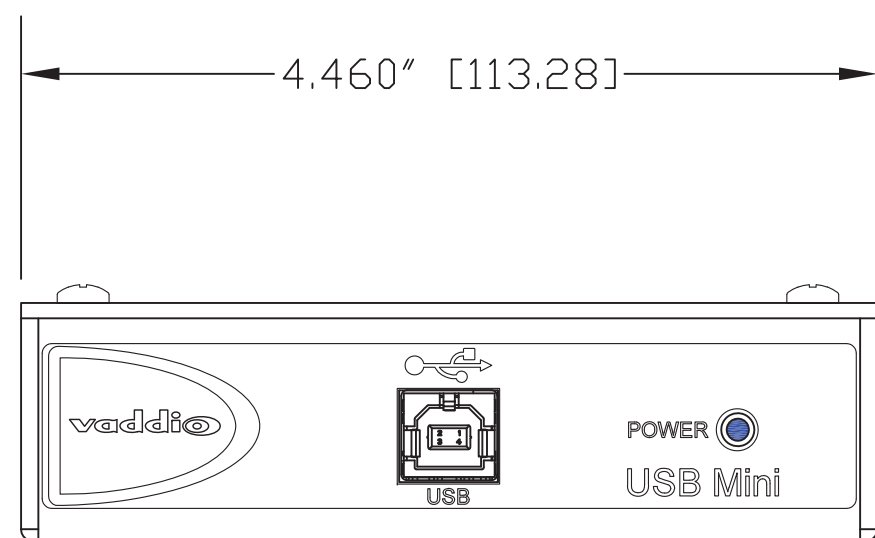
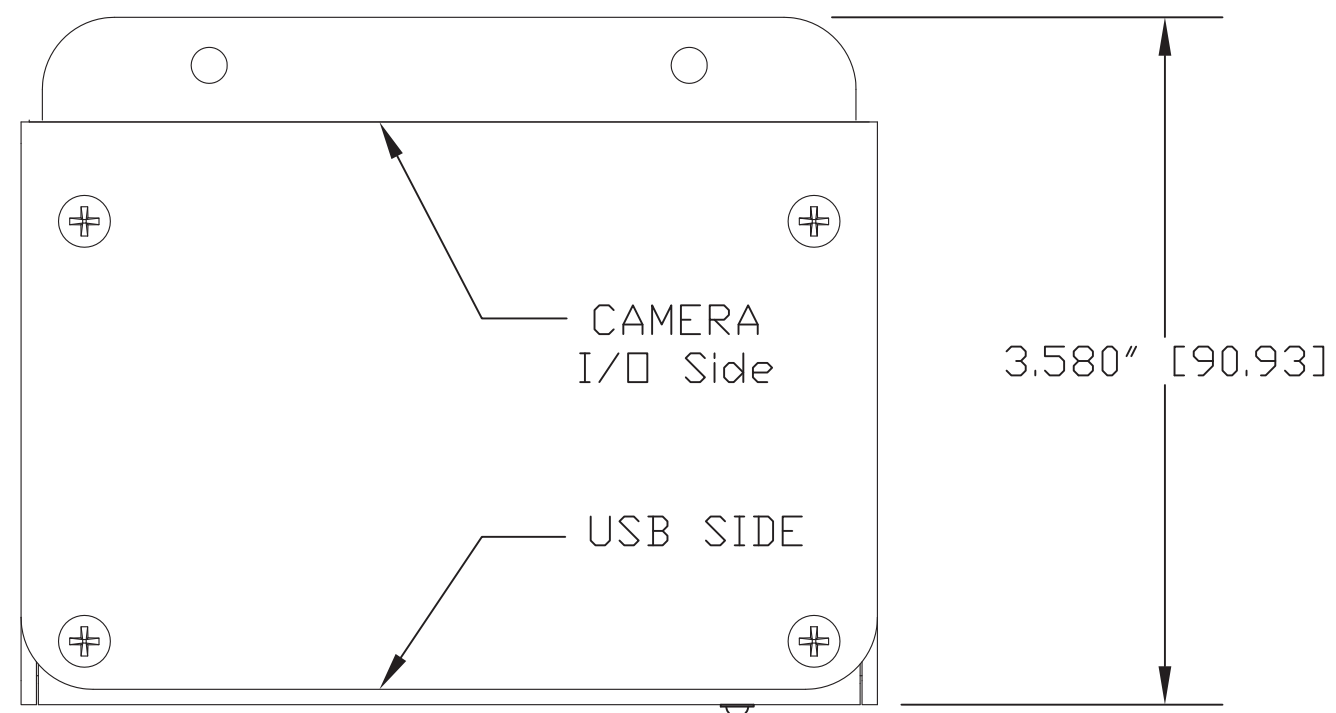
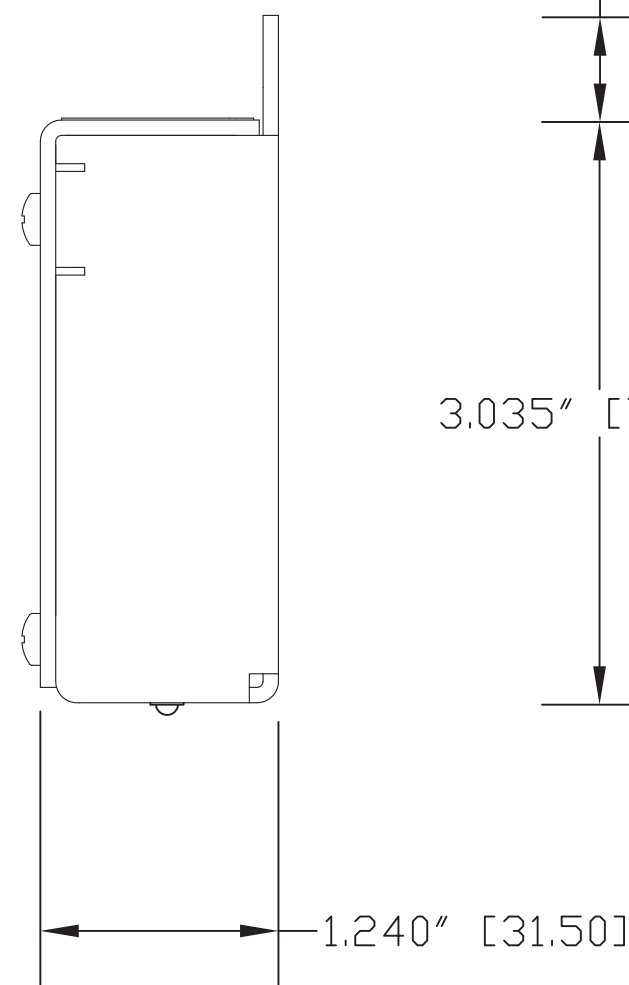


FRONT VIEW

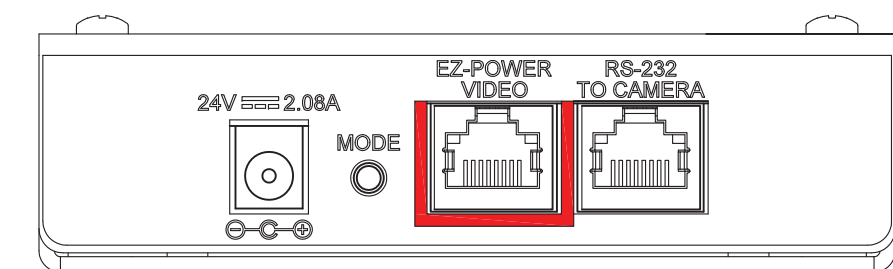
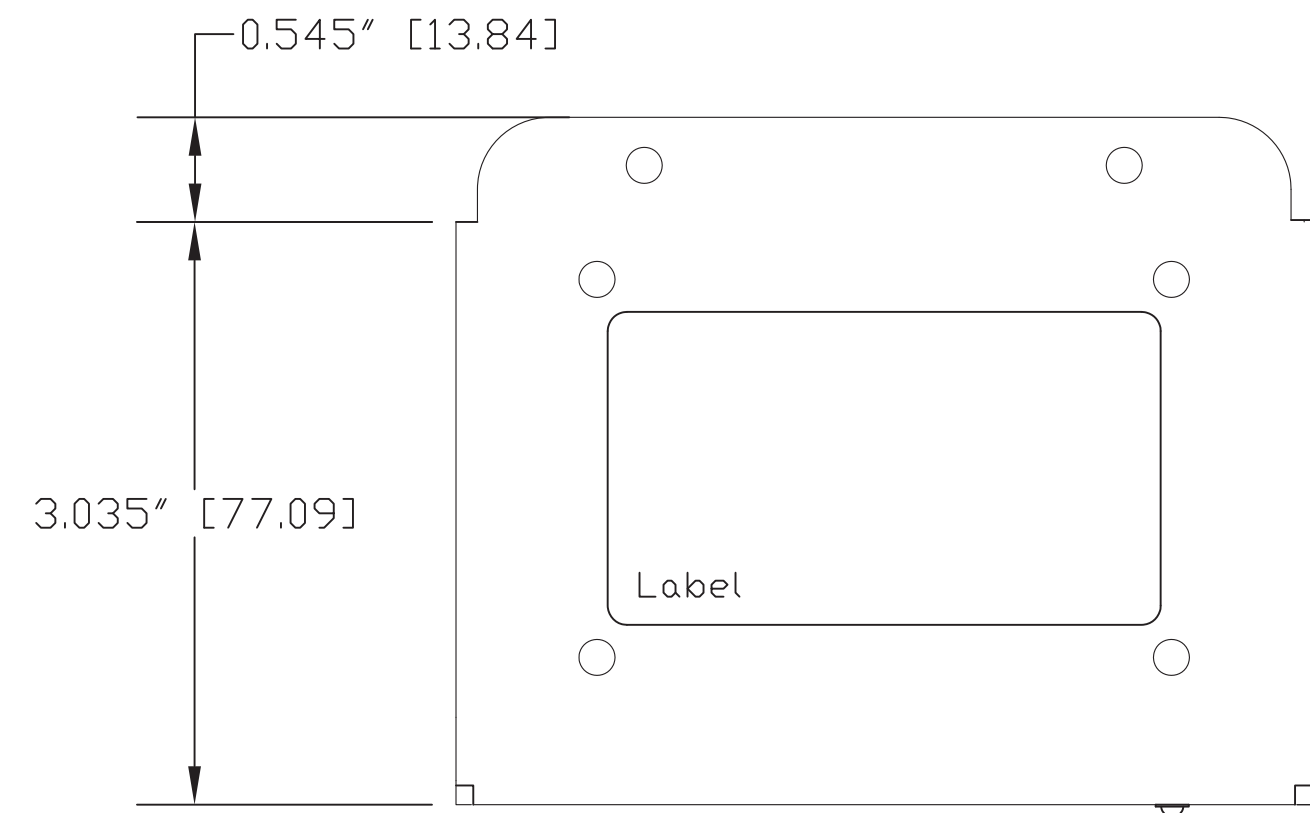


USB 2.0 Connector & POWER LED

END VIEW



BACK VIEW



CAMERA I/O & POWER INPUT

		<small>GENERAL NOTES: DIMENSIONS ARE IN INCHES (mm) UNLESS OTHERWISE NOTED. DO NOT DISTRIBUTE WITHOUT EXPRESS WRITTEN PERMISSION OF VADDIO. DUE TO OUR CONTINUING EFFORTS TO ENHANCE OUR PRODUCTS, WE RESERVE THE RIGHT TO CHANGE SPECIFICATIONS WITHOUT PRIOR NOTICE OR OBLIGATION.</small>	
Quick-Connect USB Mini, Part Number: 998-1105-039			
Video, Power and Control over two (2) Cat-5 cables with USB 2.0 (MJPEG) Video Streaming			
<small>DRAWN:</small> RAR	<small>CHECKED:</small>	<small>APPROVED:</small> RAR	<small>DATE:</small> 07/02/2014 <small>SD:</small> 67966.7
<small>THIS DRAWING, INCLUDING ALL SUBJECT MATTERS INDICATED THEREON OR DERIVED THEREFROM, HERETOFORE, COMPRISES PROPRIETARY INFORMATION AND IS THE EXPRESS PROPERTY OF VADDIO. All Rights Reserved - Copyright 2014</small>			
<small>MATERIALS:</small> ASTM 3003 .080 (5/64") Thick Black Powder Coat, Cardinal C241-BK303	<small>SCALE:</small> 1:1	<small>DRAWING #:</small> 1105-039	<small>REV:</small> A
<small>COMMENTS:</small> Quantum Field Inhibitor (QFI) - NOT INCLUDED	<small>SIZE:</small> ANSI-C		