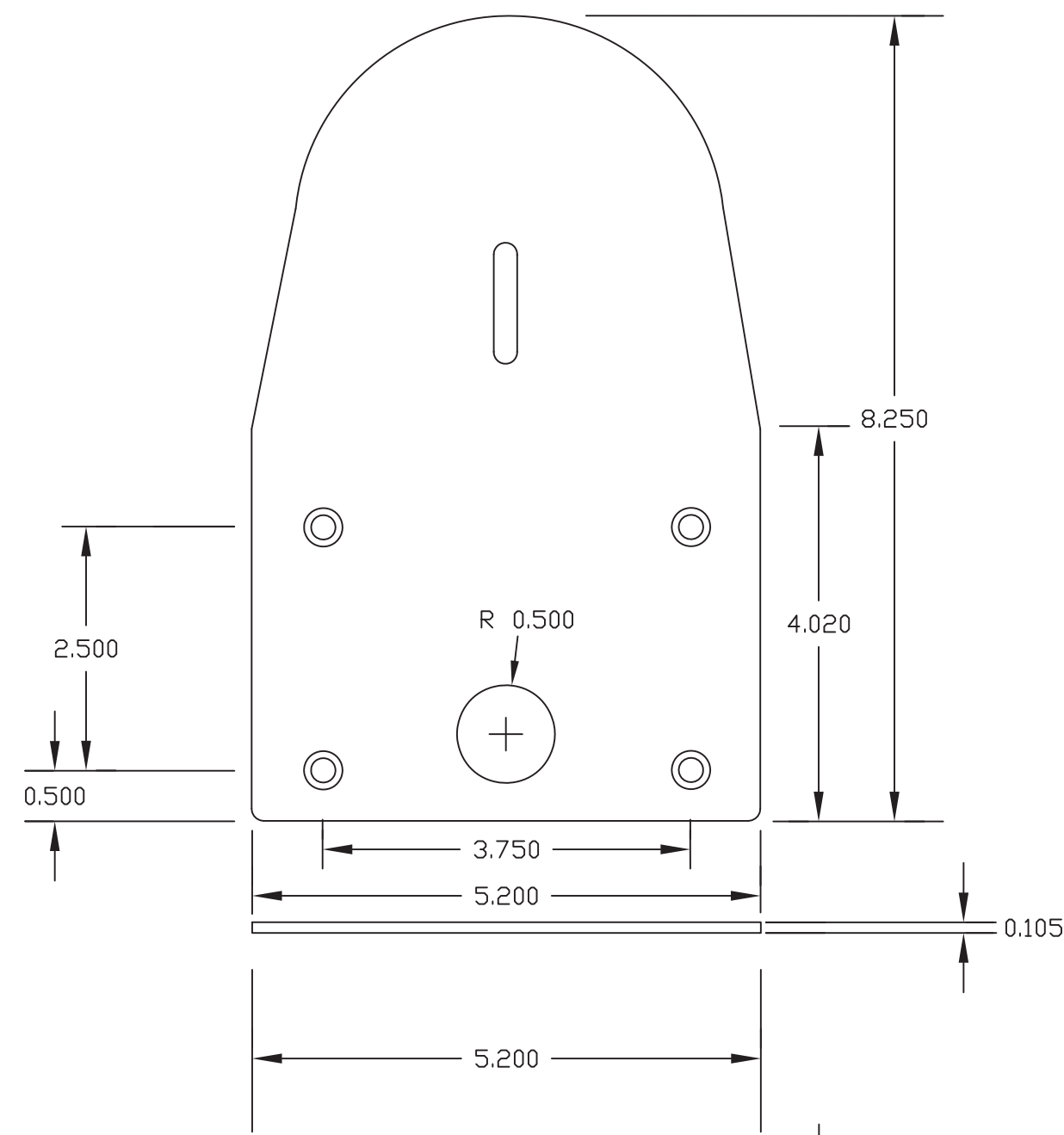
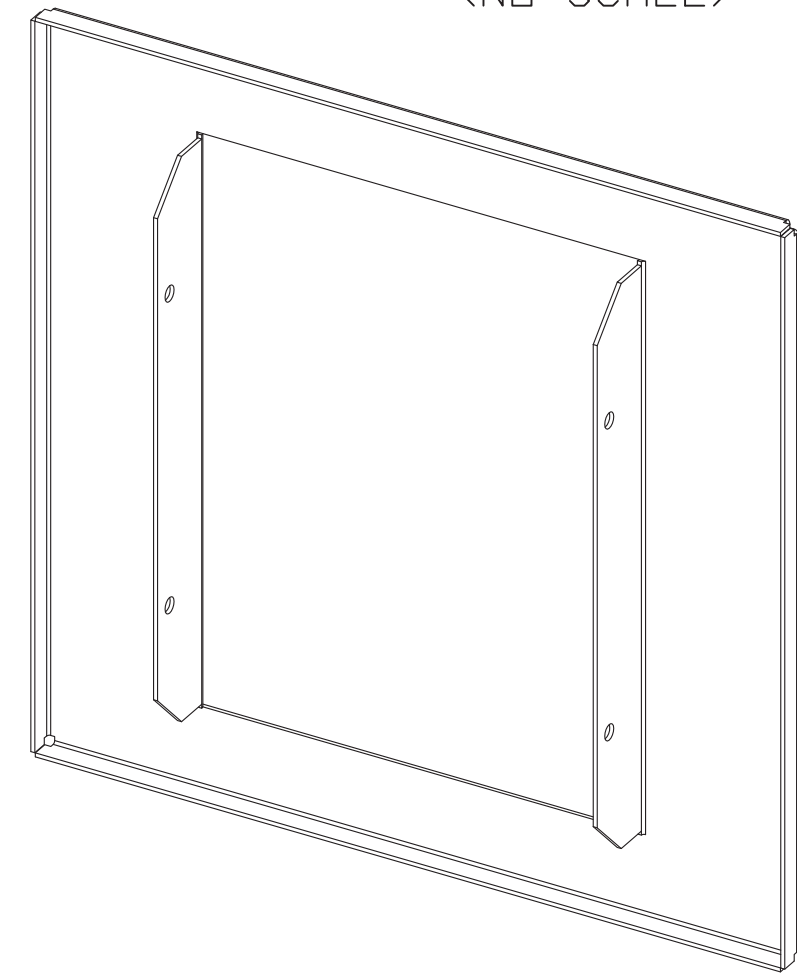


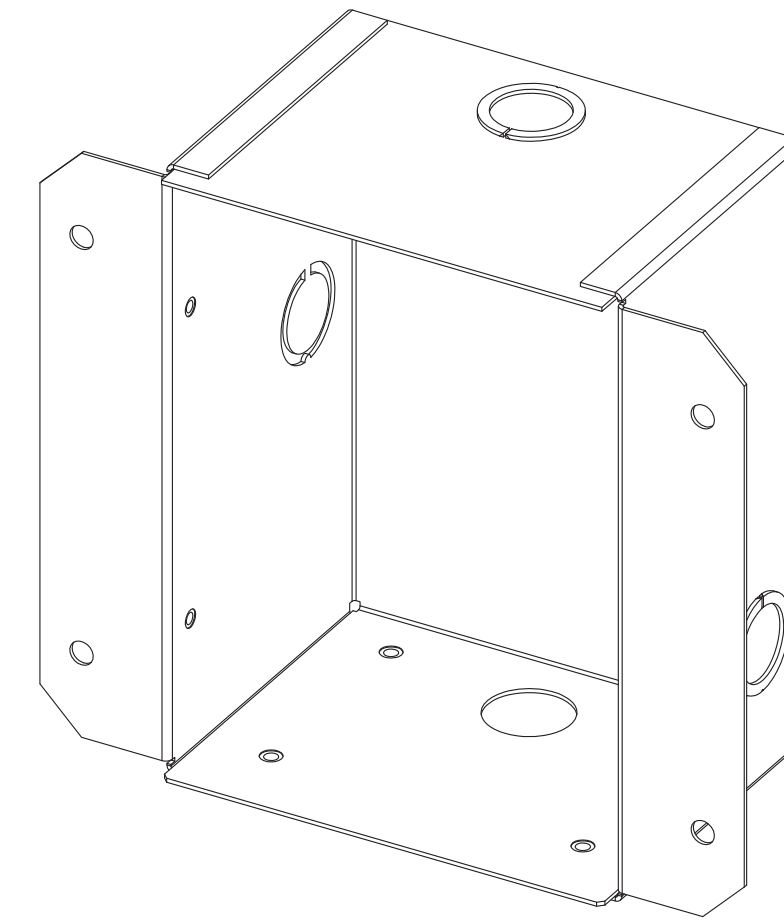
CAMERA PLATFORM
TOP AND SIDE VIEWS



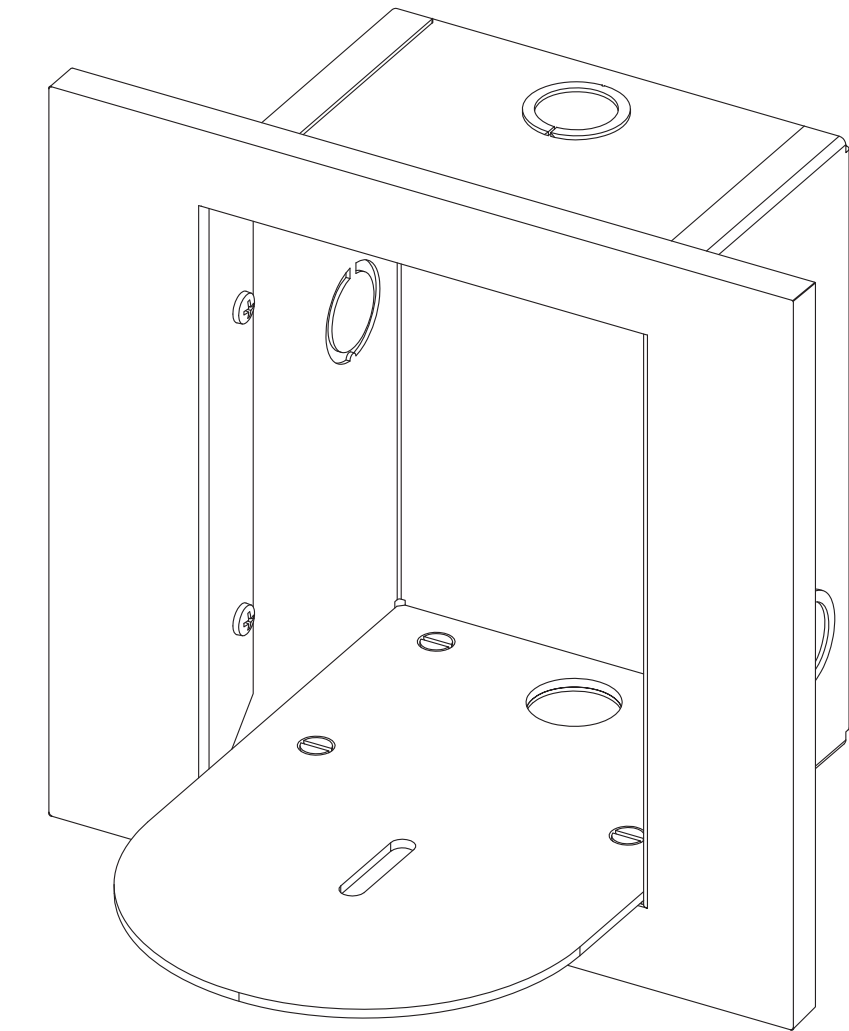
FACE FRAME
ISO/REAR VIEW
(NO SCALE)



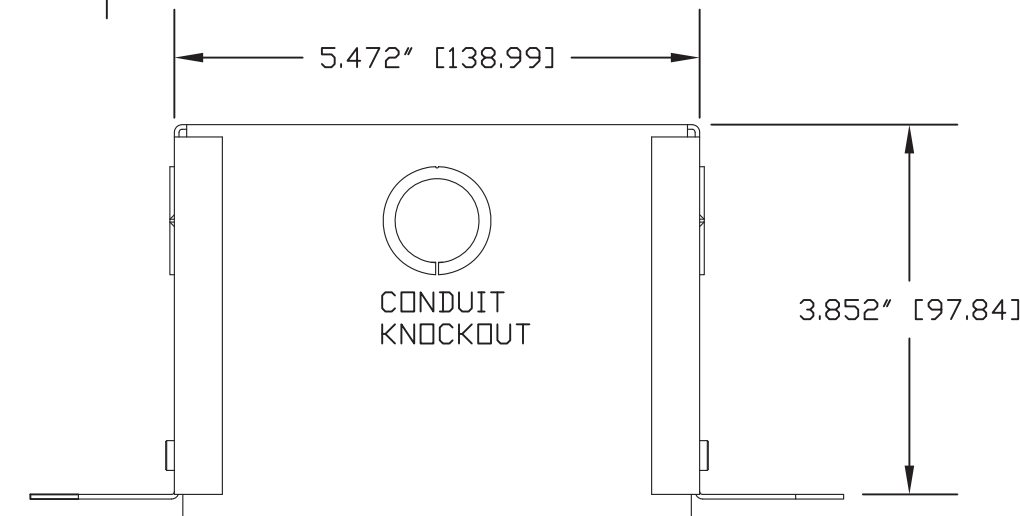
ISO VIEW CAMERA BOX
(NO SCALE)



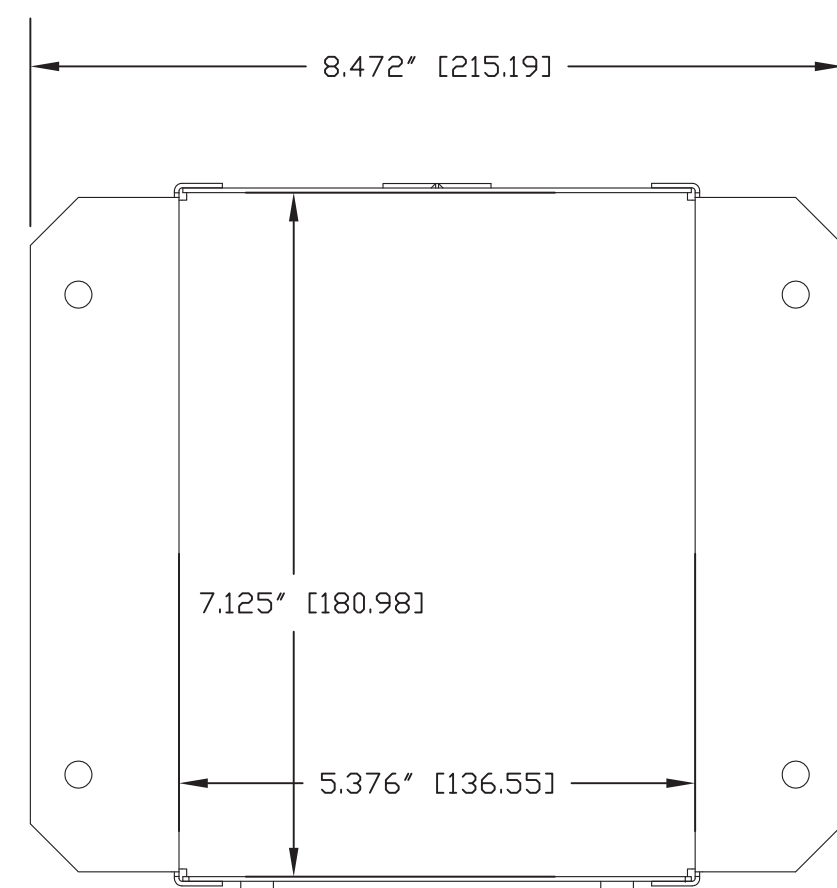
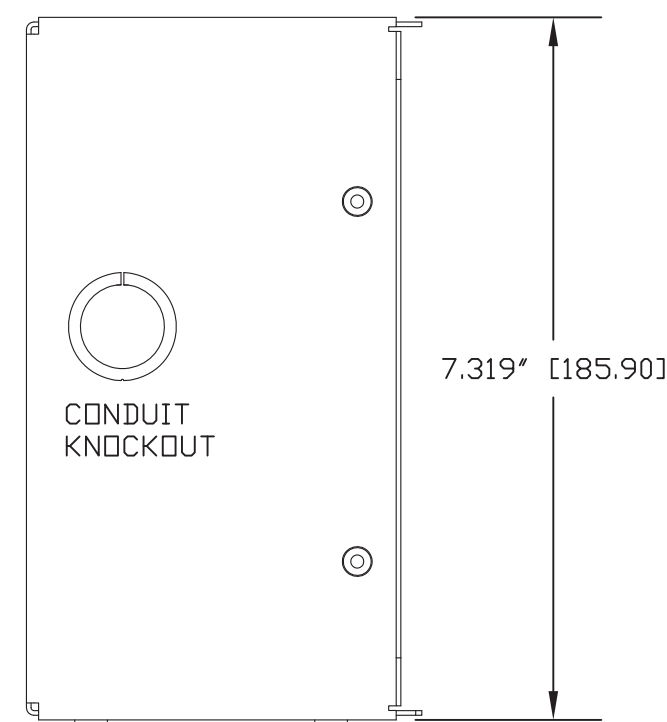
ISO VIEW CAMERA BOX WITH
CAMERA PLATFORM & FRAME (NO SCALE)



CAMERA BOX
TOP VIEW

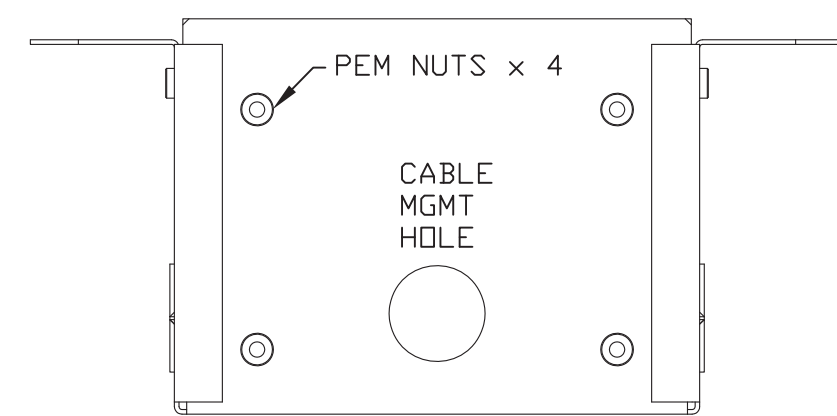
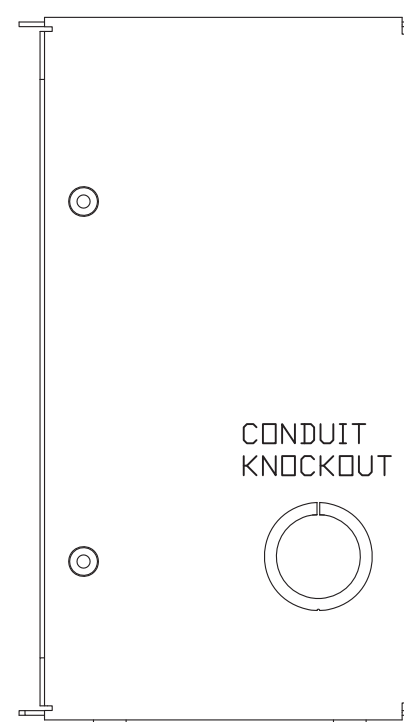


CAMERA BOX
LEFT SIDE VIEW



CAMERA BOX FRONT VIEW

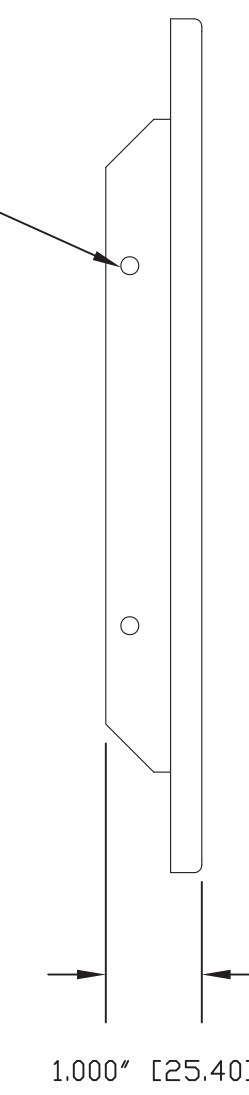
CAMERA BOX
RIGHT SIDE VIEW



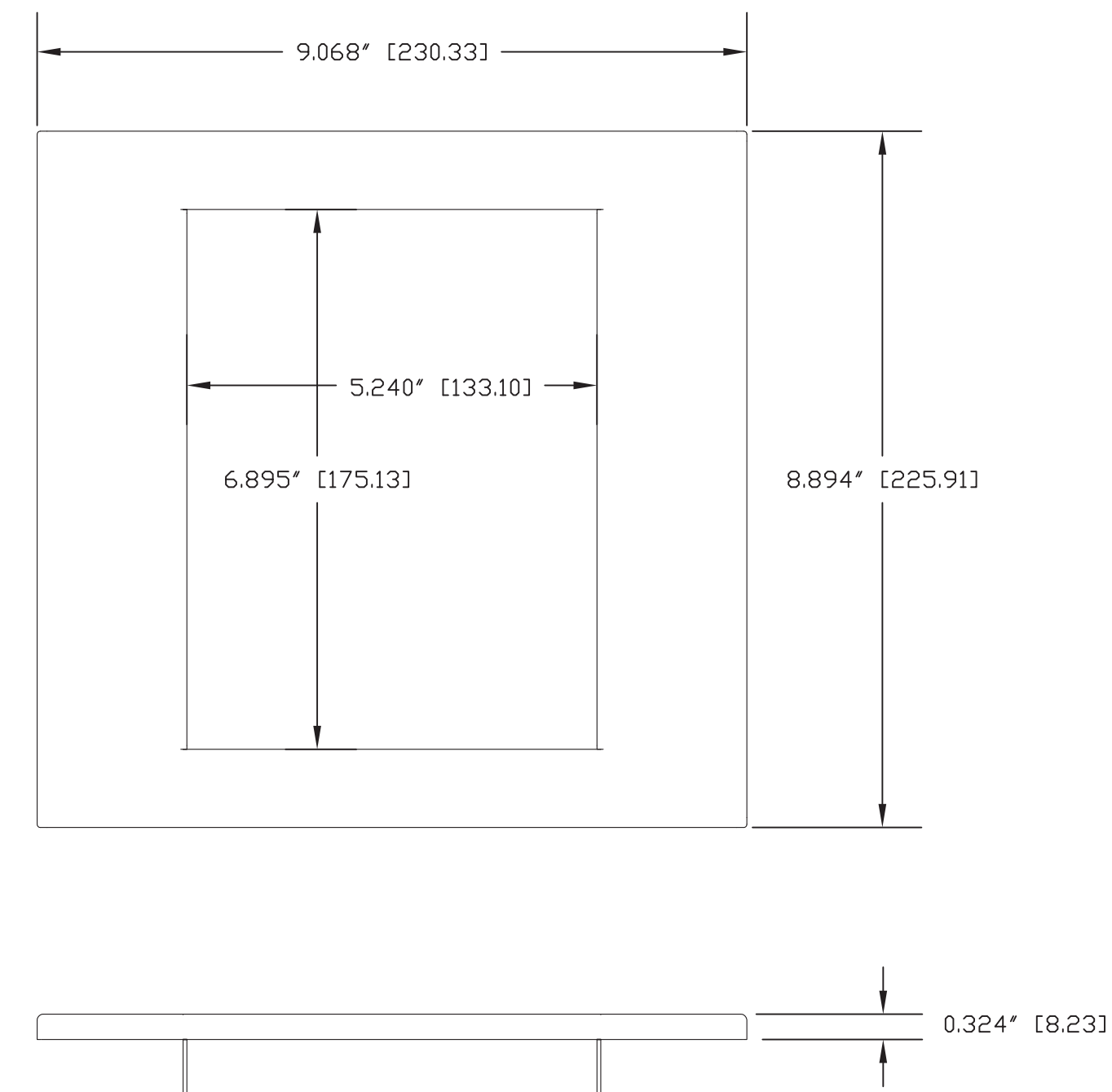
CAMERA BOX BOTTOM VIEW

FACE FRAME
SIDE VIEW

FRAME
ATTACHMENT
HOLES x 4



FACE FRAME
FRONT VIEW



FACE FRAME
TOP VIEW



vaddio

GENERAL NOTES:
DIMENSIONS ARE IN INCHES (mm) UNLESS OTHERWISE NOTED.
DO NOT DISTRIBUTE WITHOUT EXPRESS WRITTEN PERMISSION
OF VADDIO. DUE TO OUR CONTINUING EFFORTS TO ENHANCE
OUR PRODUCTS, WE RESERVE THE RIGHT TO CHANGE
SPECIFICATIONS WITHOUT PRIOR NOTICE OR OBLIGATION.

IN-Wall Mount for Sony EVI-D100 (Vaddio Version - Platinum White)

Vaddio PART NUMBER 999-2225-012 (BOX, FRAME & PLATFORM)

DRAWN	CHECKED	APPROVED	DATE
SR/WLF	SR	RAR	05/12/2014

THIS DRAWING, INCLUDING ALL SUBJECT MATTERS INDICATED THEREIN OR DERIVED THEREFROM,
COMPRISES PROPRIETARY INFORMATION AND IS THE EXPRESS PROPERTY OF VADDIO.
All Rights Reserved - Copyright 2008

MATERIALS	SCALE	DRAWING No.	REV
CRS 18 GAUGE (BOX & FRAME) & 12 GAUGE (PLATFORM)	1:2	2225-011	REV B
FINISH	SIZE		
WHITE POWDERCOAT 20% GLOSS Vaddio 806-503	D		