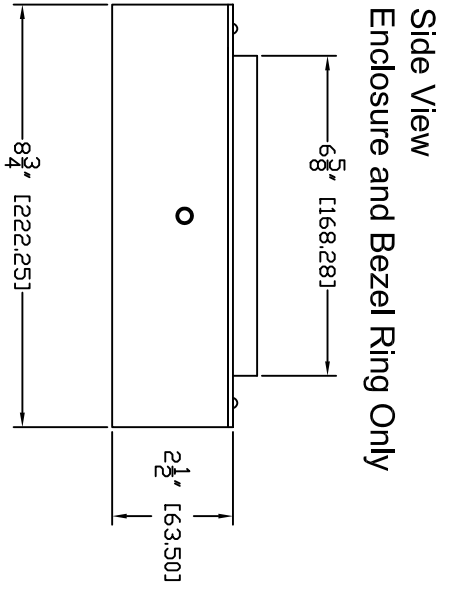
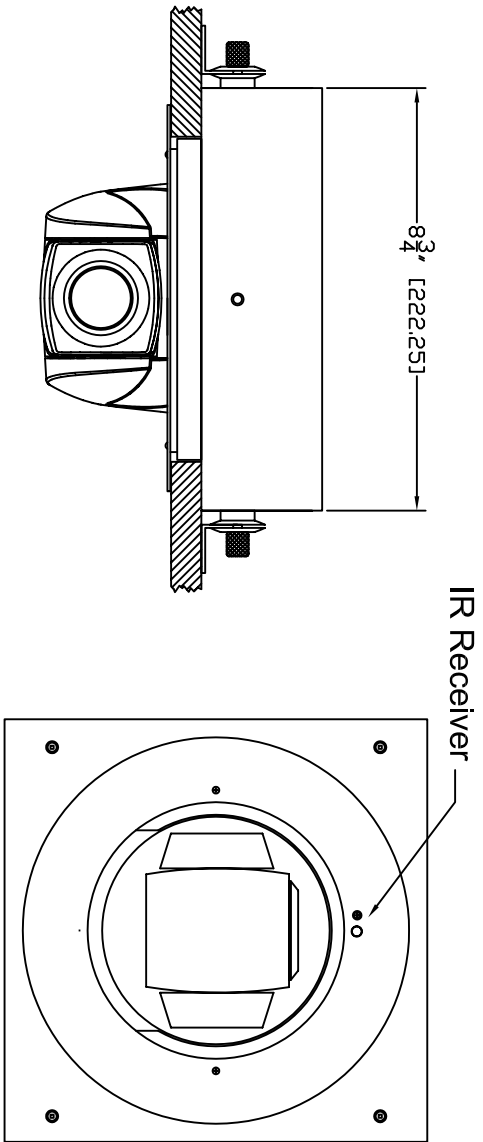


Back View

Top View

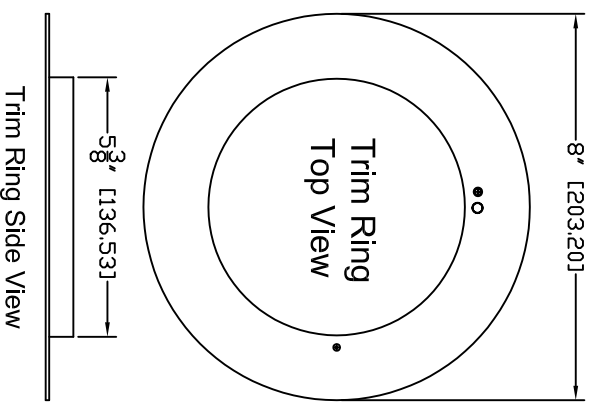


Side View
Enclosure and Bezel Ring Only



In-Ceiling Side View with Camera

Top View with Trim Ring



Trim Ring Side View

GENERAL NOTES:

DIMENSIONS ARE IN INCHES (mm) UNLESS OTHERWISE NOTED.
 DUE TO OUR CONTINUING EFFORTS TO ENHANCE OUR PRODUCTS,
 WE RESERVE THE RIGHT TO CHANGE SPECIFICATIONS WITHOUT
 NOTICE OR OBLIGATION HERETOFORE. NOTWITHSTANDING.

Vaddio - CeilingVIEW™ 70 PTZ	
Ceiling Mounted PTZ Camera	999-2304-000 NTSC 999-2304-001 PAL
Drawn by: RAR	THIS DRAWING, INCLUDING ALL SUBJECT MATTER INDICATED THEREIN, IS THE PROPERTY OF VADDIO. IT IS TO BE USED FOR THE PROJECT AND SITE SPECIFICALLY IDENTIFIED HEREIN AND IS NOT TO BE REPRODUCED OR TRANSMITTED IN ANY FORM OR BY ANY MEANS, ELECTRONIC OR MECHANICAL, INCLUDING PHOTOCOPYING, RECORDING, OR BY ANY INFORMATION STORAGE AND RETRIEVAL SYSTEM, WITHOUT THE EXPRESS WRITTEN PERMISSION OF VADDIO.
Date: 09/08/06	Reference Manual: 010-2304-000
Scale: NONE	