

# CEILINGVIEW™ 50iR PTZ

## PAN/TILT/ZOOM CAMERA SYSTEM

The Vaddio CeilingVIEW 50iR PTZ Camera System is designed to provide system integrators with an easy to install ceiling-mounted camera system. The system features a Canon® VC-C50iR PTZ Camera equipped with Vaddio's suspended ceiling PTZ camera mount. The system includes Vaddio's EZCamera™ Cabling System, which allows the installer to use Cat. 5 cabling to run power, video and camera control. Also included is Vaddio's PowerRite™ Power Supply. The PowerRite system regulates the right amount of power needed for the camera over Cat. 5 cabling. An optional VISCA control interface can be added to allow the camera to work with any VISCA compatible control device.



## WHAT'S INCLUDED

The Vaddio CeilingVIEW 50iR PTZ includes the following items:

- Canon VC-C50iR PTZ Camera
- Canon Multi-Function Remote Control
- Suspended ceiling-mounting bracket
- EZCamera Camera Shoe Interface
- EZCamera Quick-Connect Box
- EZCamera Control Adapter
- PowerRite Power Supply
- One 12' (3.66m) S-Video cable
- One 12' (3.66m) Composite video cable
- All screws and mounting hardware

## TECHNICAL FEATURES

### Canon VC-C50iR PTZ Camera

A ceiling-mountable PTZ camera equipped with a 26X optical and 12X digital zoom lens. The VC-C50iR delivers high quality video from far distances and under the dimmest lighting conditions. Building on Canon's long-standing tradition as the leader in optics and image processing, it offers greater flexibility in the most demanding environments. Camera features include: Nine camera presets, auto-focus, auto-iris, and one lux minimum illumination. The motorized pan has a range of 170 degrees each way and the tilt has a range of 10 degrees up and 90 degrees down.

### Suspended Ceiling PTZ Camera Mount

The suspended ceiling PTZ camera mount is designed to provide a secure way to install PTZ cameras to a suspended acoustical ceiling tile.

A metal ceiling tile brace distributes the weight of the camera to the ceiling grid. There are five different mounting positions on the brace to allow for flexibility in mounting the camera.

### EZCamera Cabling System

Allows installer to use Cat. 5 cable to run power, video and camera control. Video Balun technology is used to extend the range of the video signal and to allow it to work on Cat. 5 cable. The Vaddio PowerRite Camera Power System includes a high output power supply and a power regulator to maintain the right voltage over Cat. 5 cable.

### EZCamera Shoe Interface

A plug-in shoe that integrates the Canon VC-C50iR PTZ Camera to the EZCamera Cable System. The shoe interface converts camera outputs to three RJ-45 jacks. The first jack provides power and video. The second jack provides primary camera control signaling and the third provides daisy-chain camera control to additional Canon PTZ Cameras.

### EZCamera Quick-Connect Box

This small interface box converts power, S-Video and composite video into a single Cat. 5 cable. Velcro® mounting square provided.

### VISCA Camera Control Option

The system can be ordered with VISCA camera control. This allows you the ability to use the camera system with control systems and video codecs that support the VISCA protocol. The system ships standard with the Canon instruction set.

# TECHNICAL SPECIFICATIONS

<b>Optics</b>	
Lens Configuration	Nine(9) Groups of Eleven(11) Lens
Focal Length & F Number	f=3.5 to 91mm; F1.6 to F4.0
Marginal Lumination Ratio	30% Over
Zoom Ratio	26X (at infinite)
Focus Region	Wide: 0.01m to ∞; Telephoto: 1.6m to ∞; Auto/Manual
Horizontal	42° Wide; 1.7° Telephoto
<b>Imaging</b>	
Imaging Device	1/4" CCD
Number of Pixels	NTSC – 630K Total (340K effective); PAL – 740K Total (400K effective)
Color Separating System	Secondary Mosaic Filter System
Electronic Shutter Speed	NTSC – 1/80,000 - 1/60 - 1/1 sec; PAL – 1/80,000 - 1/50 - 1/1 sec
Imaging Mode	Visible Light Mode; Infrared Light Mode
Minimum Subject Illumination	1 lx (visible light mode, at 1/30 electric shutter speed)
Infrared Lighting	GaAIs Infrared Radiation LED; Four Piece
Infrared Light Power	About 0.75 W x 4
Infrared Light Wavelength	970nm (peak value)
<b>Video</b>	
Color System	NTSC/PAL (depending on the country of use)
Luminance Signal S/N ratio	50dB
Resolution	Horizontal: 460 TV Lines; Vertical: 350 TV Lines
Scanning System	Interlace

White Balance	Auto/Manual/One-push
Character Display	Setting, Clock
<b>Mechanism</b>	
Pan Angle Range	VC-C50i – ±100°; VC-C50iR – ±170°
Tilt Angle Range	VC-C50i – -30° to +90°; VC-C50iR – -90° to +10°
Rotation Speed	Pan: 1 to 90°/s; Tilt: 1 to 70°/s
Infrared Cut Filter	Motor Driven (visible light mode/infrared light mode)
Preset Function	Nine(9) Positions
Cascade Control	Nine(9) Cameras
<b>Connectors</b>	
BNC	Composite Video Output
Multiconnector	S-Video Output, RS-232C Control (input, output), Other
DC Input	Custom Jack (AC adapter is used)
<b>Regulation</b>	
Wide Converter Connection	Diameter: 37mm; Pitch: 0.75mm
Voltage of Operation	DC 13 V (Camera only)
Power Consumption	13 W
PowerRite Power Supply	100 - 240V, 50/60Hz, 18VDC
<b>Other</b>	
Operating Temperature	32° F (0° C)
Dimensions	Depth: 4.48"/113mm Width: 4"/101mm Height: 3.58"/90mm
Weight	14.3oz/405g

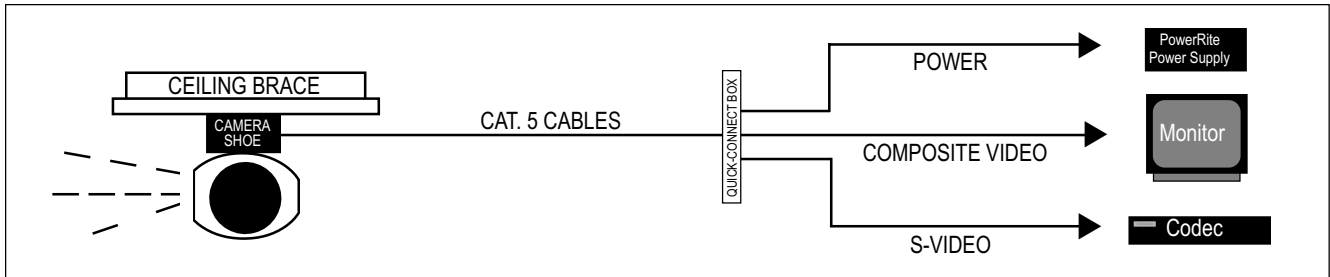


Figure 1 – EZCamera cable system with a Quick-connect box and control.

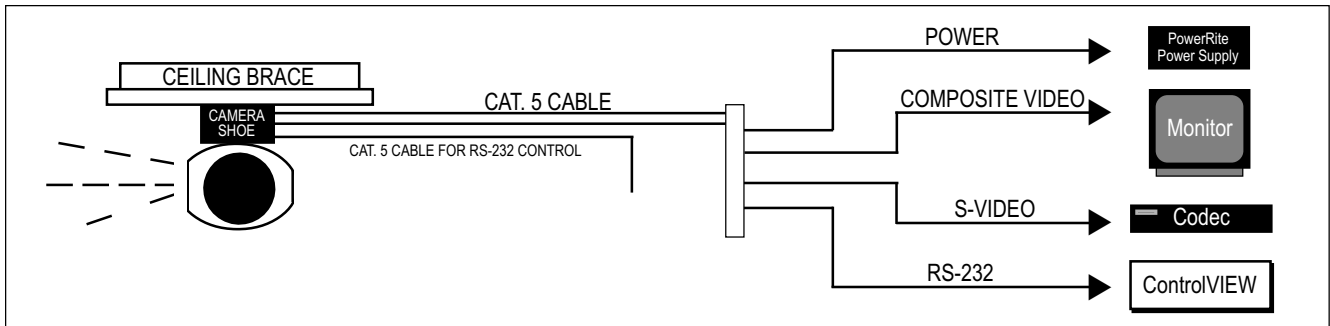


Figure 2 – EZCamera cable system with a Quick-connect and RS-232 control.

**vaddio**

9433 Science Center Drive, New Hope, MN 55428  
Toll Free: 800-572-2011 • Phone: 763-971-4400 • Fax: 763-971-4464  
www.vaddio.com