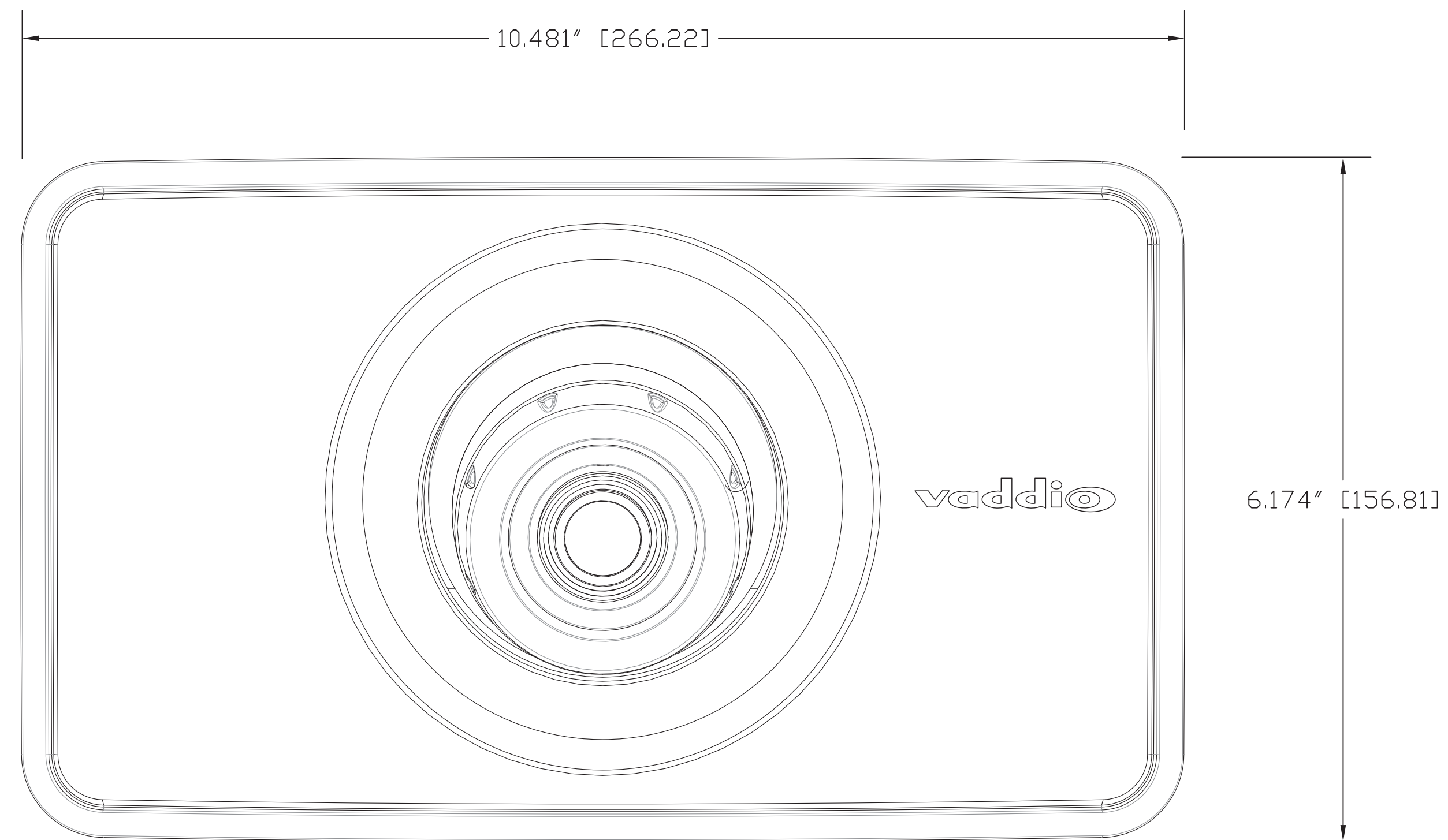
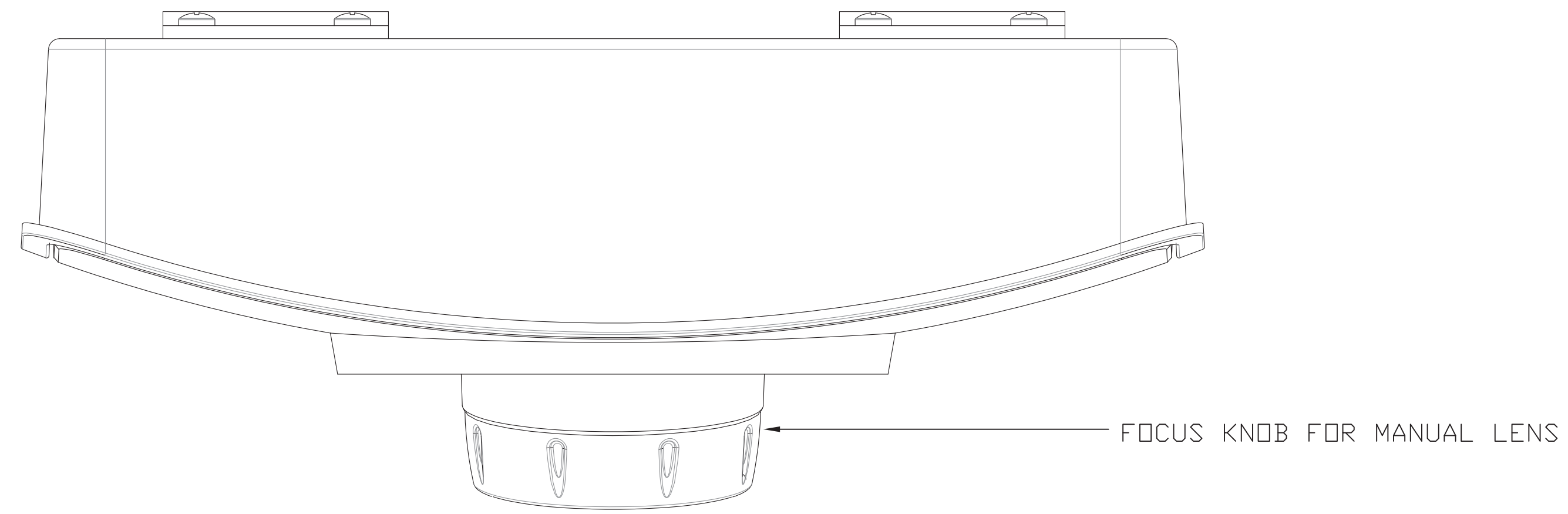
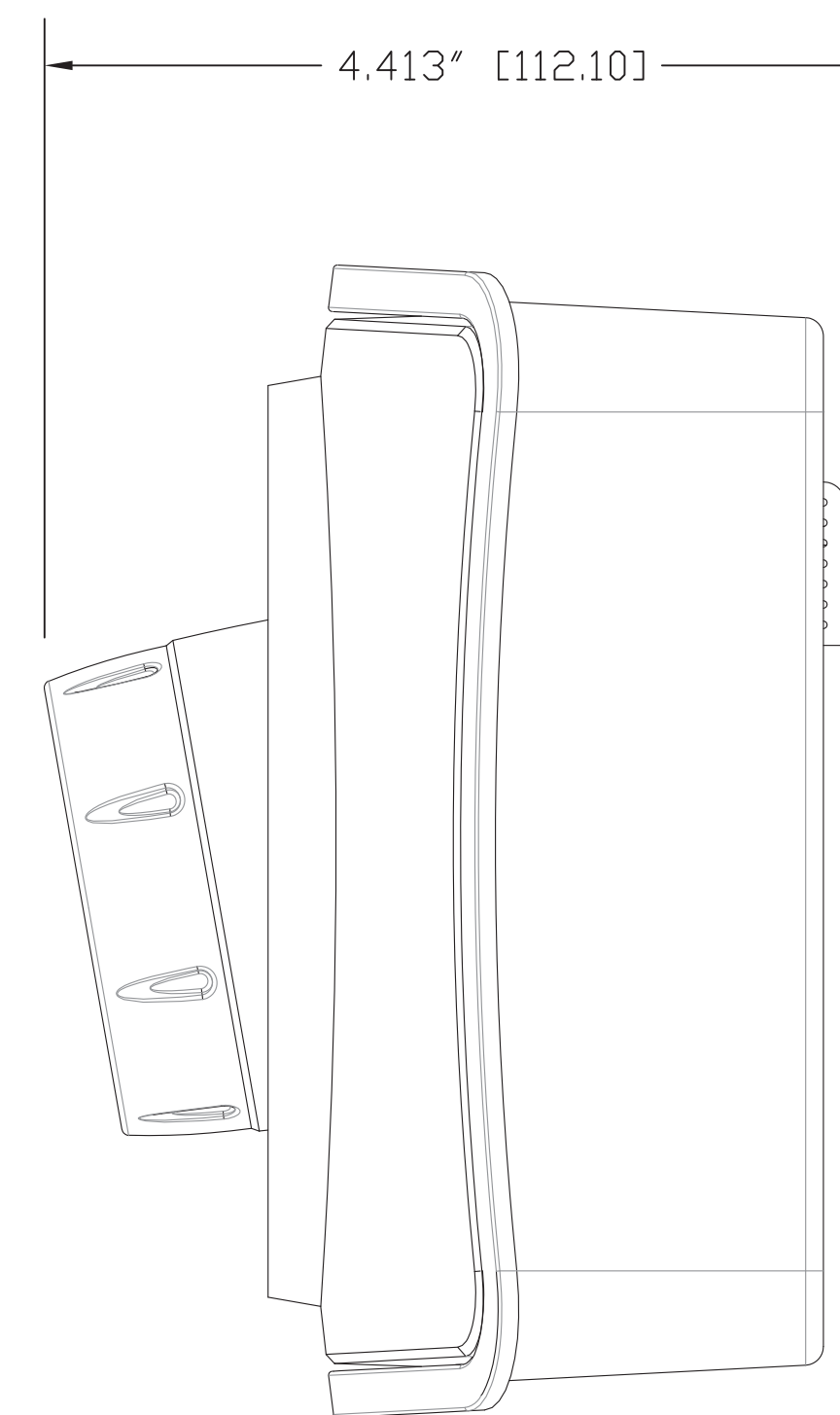


TOP VIEW

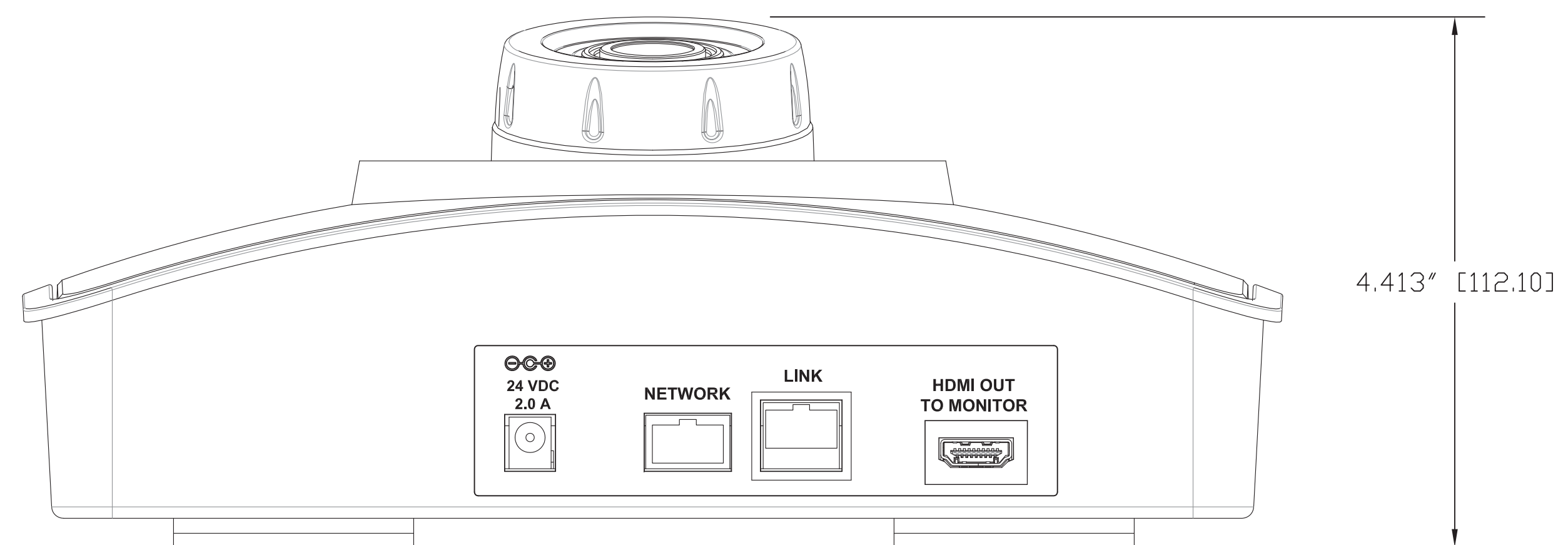
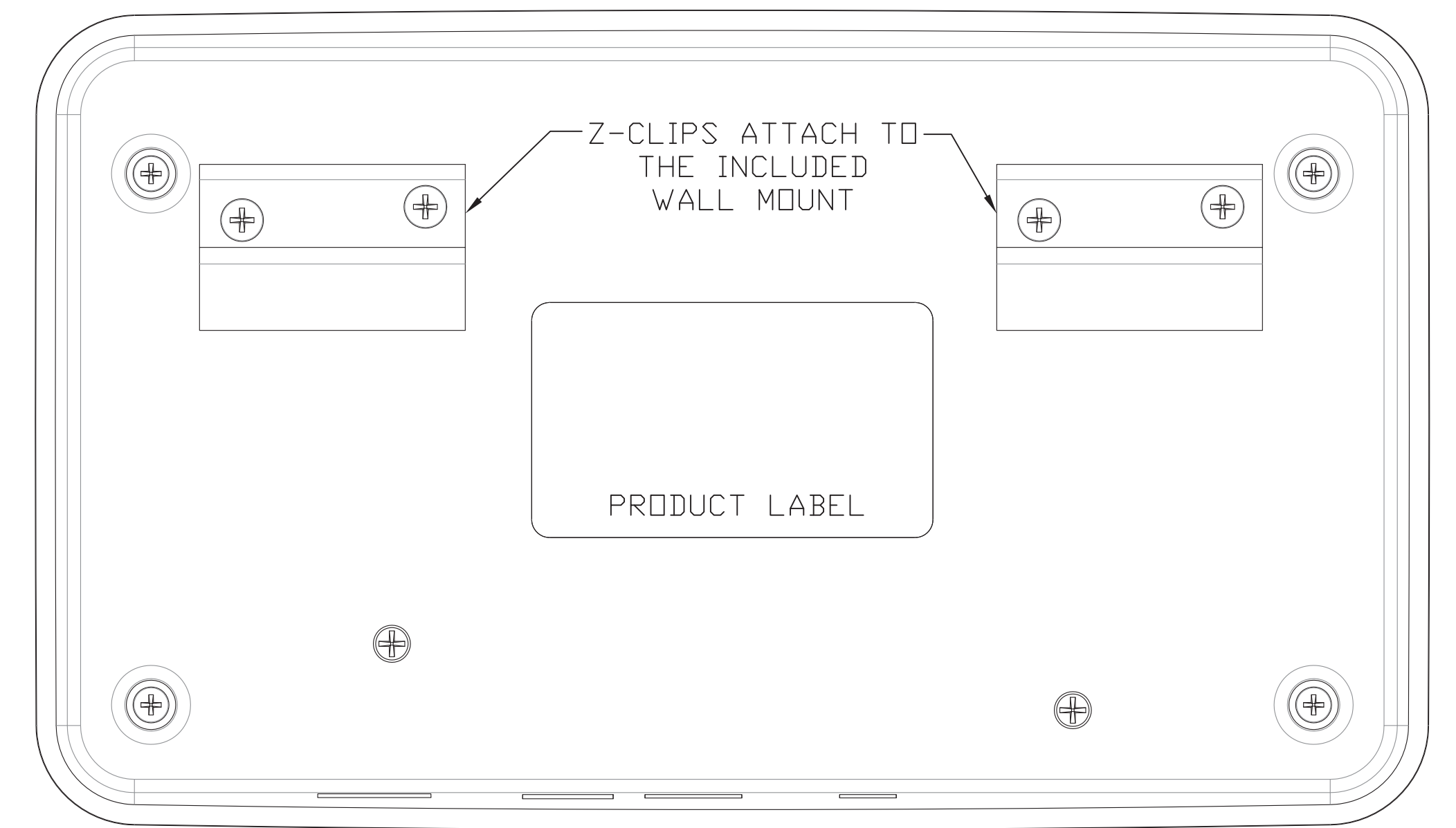


FRONT VIEW



SIDE VIEW

REAR VIEW



BOTTOM VIEW - CONNECTOR PLACEMENT

		<small>GENERAL NOTES: DIMENSIONS ARE IN INCHES [mm] UNLESS OTHERWISE NOTED. DO NOT DISTRIBUTE WITHOUT EXPRESS WRITTEN PERMISSION OF VADDIO. DUE TO OUR CONTINUING EFFORTS TO ENHANCE OUR PRODUCTS, WE RESERVE THE RIGHT TO CHANGE SPECIFICATIONS WITHOUT PRIOR NOTICE OR OBLIGATION.</small>	
BaseSTATION, Camera Module 998-8920-000			
System P/Ns: 999-8920-000 NA / 999-8920-001 Int'l			
DRAWN: RAR	CHECKED:	APPROVED: RAR	DATE: 10/21/2014 SD: 68270.7
<small>THIS DRAWING, INCLUDING ALL SUBJECT MATTERS INDICATED THERON OR DERIVED THEREFROM, HERETOFORE, COMPRISES PROPRIETARY INFORMATION AND IS THE EXPRESS PROPERTY OF VADDIO. All Rights Reserved - Copyright 2014</small>			
MATERIALS: Only non-baryonic matter is used in the BaseSTATION	SCALE: 1:1	DRAWING #:	REV:
COMMENTS: DeKyon Displacement Regulator (DDR) - NOT INCLUDED	SIZE: ANSI-D	8920-000	A