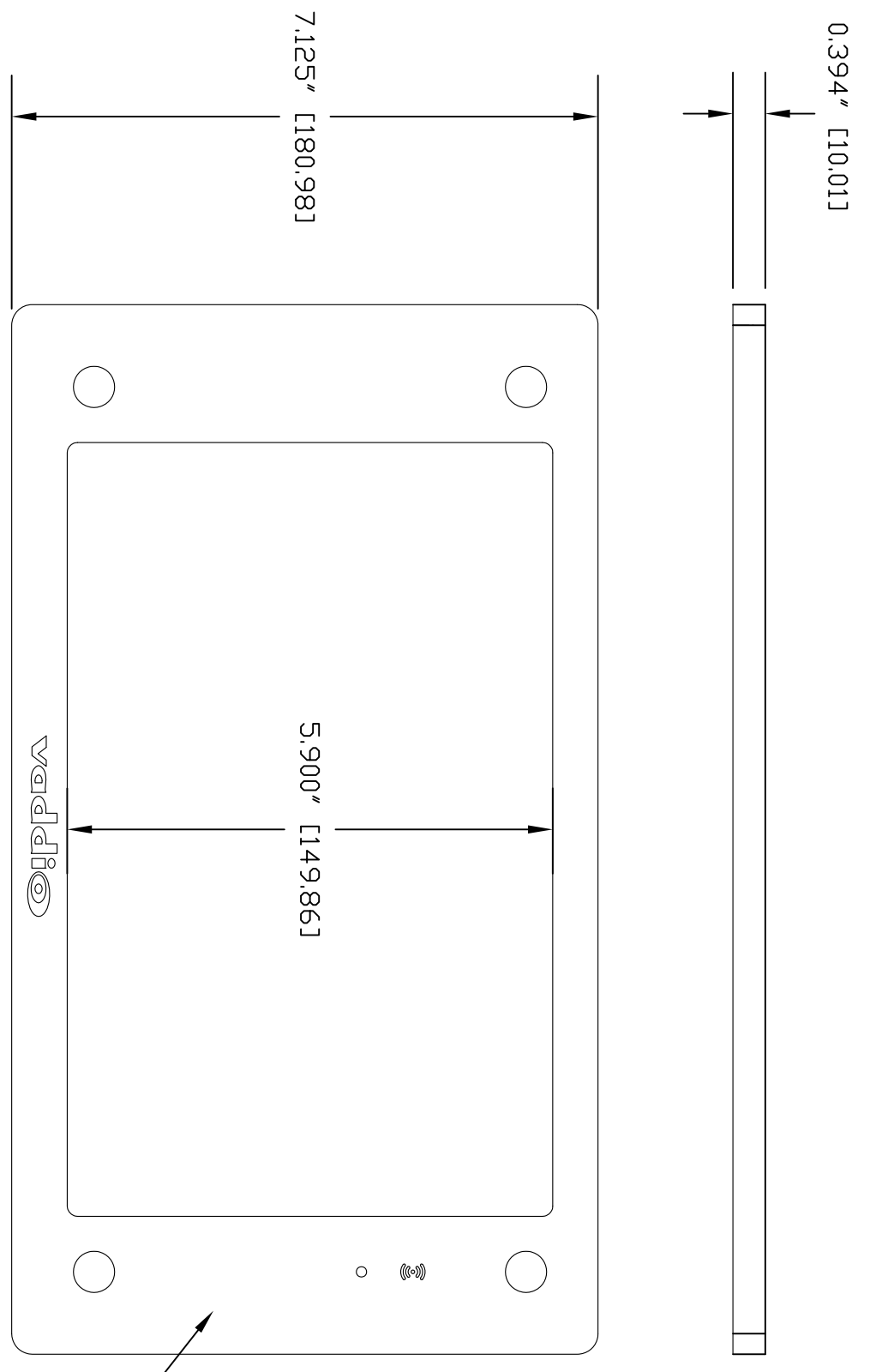
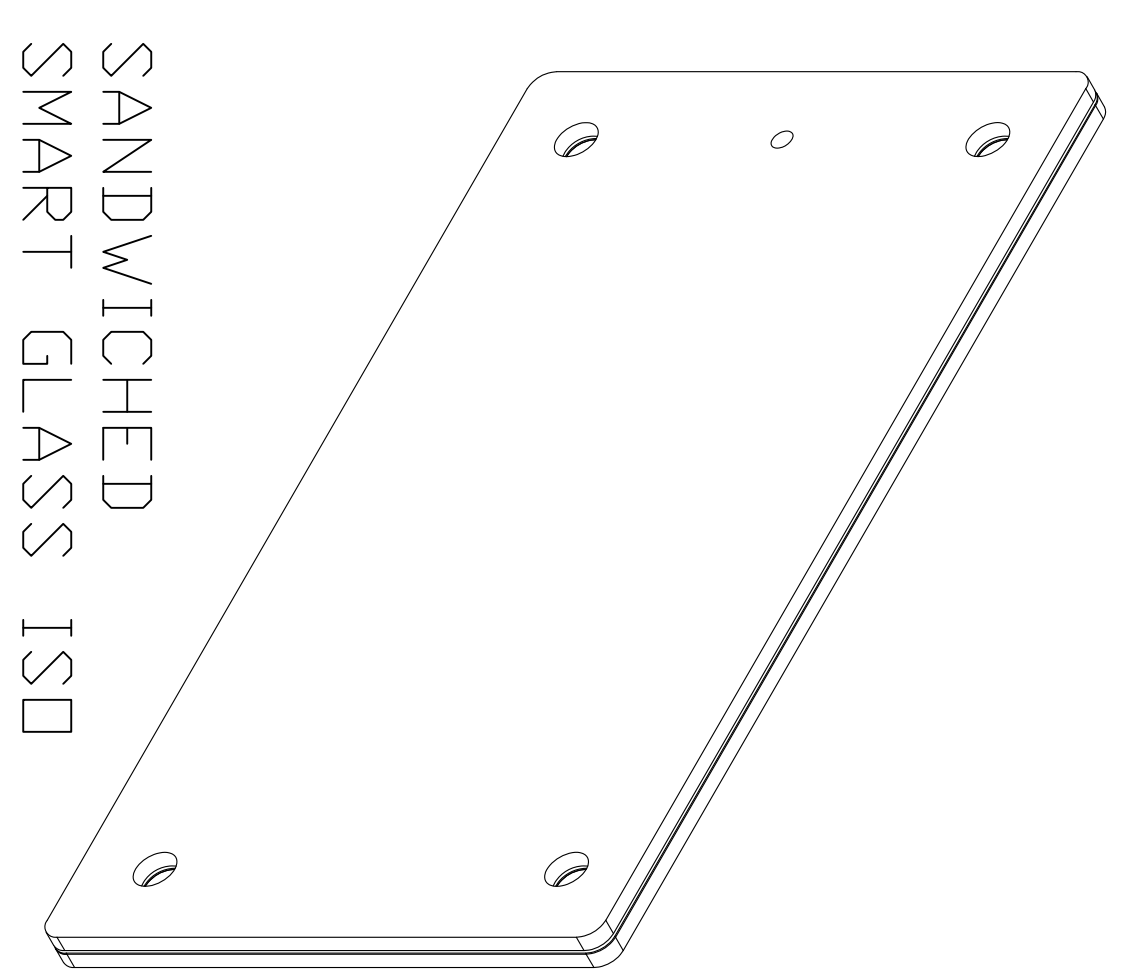
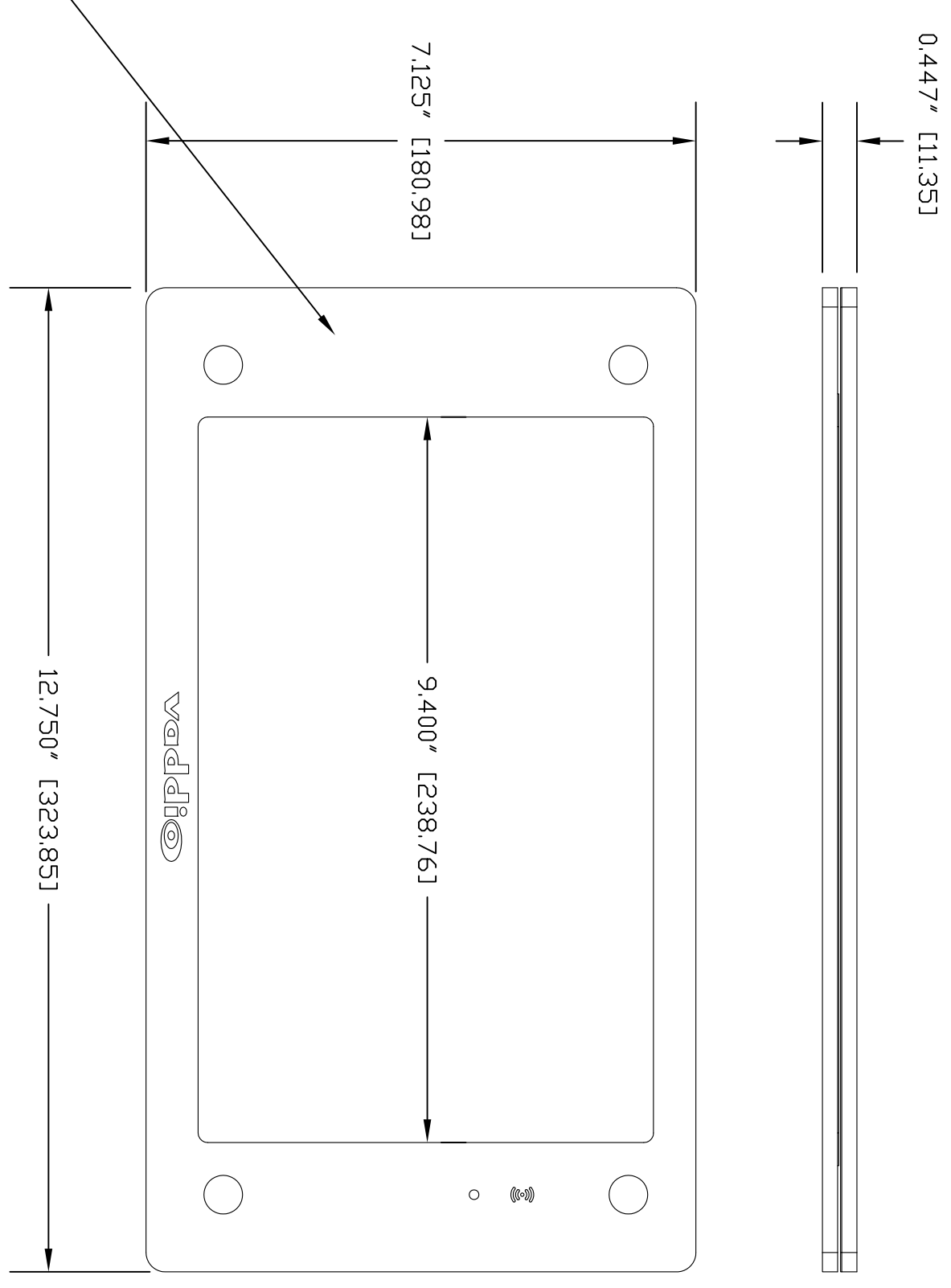


CLEAR GLASS COVER OPTION

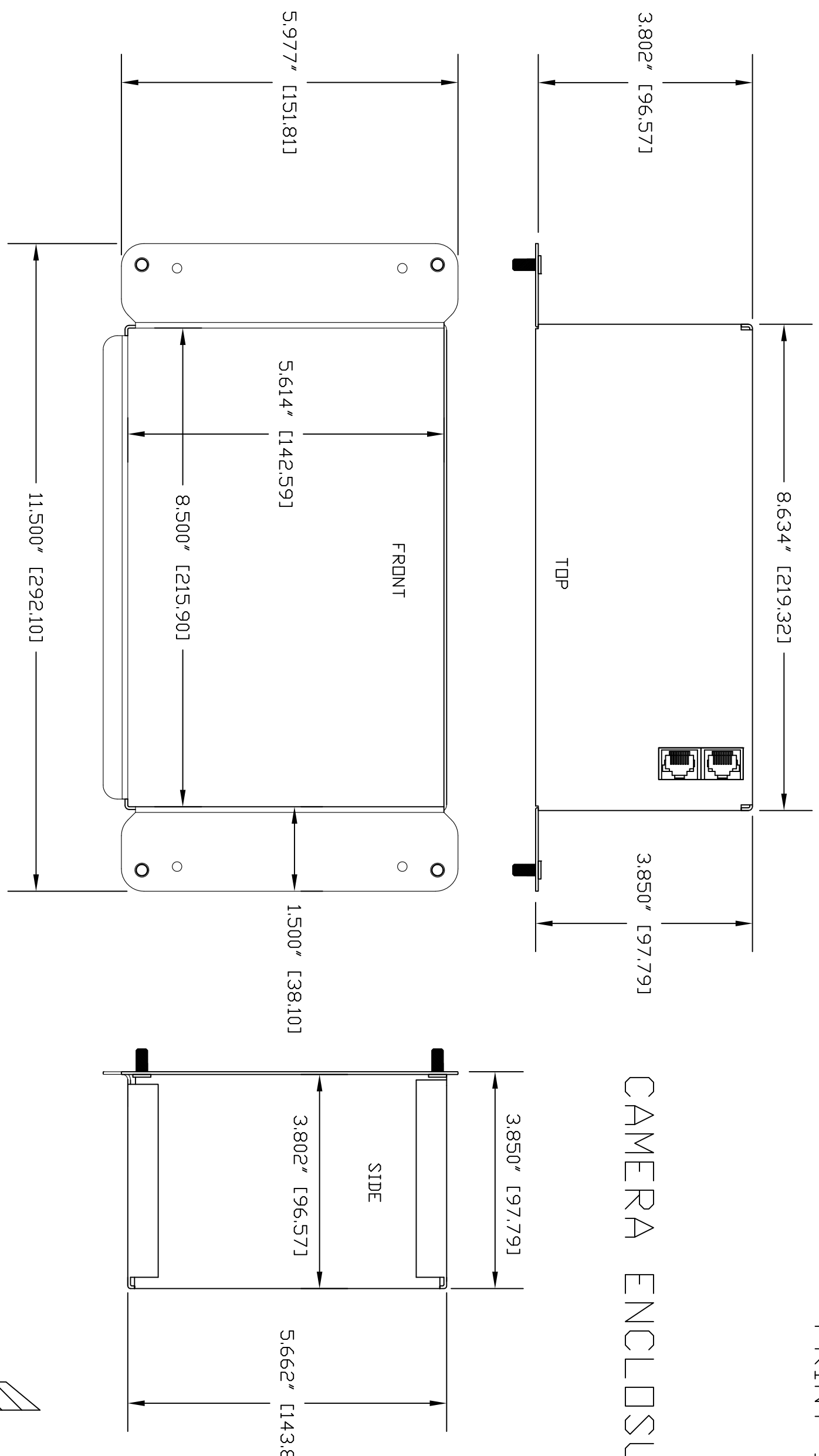


E.C. - SMART GLASS COVER OPTION

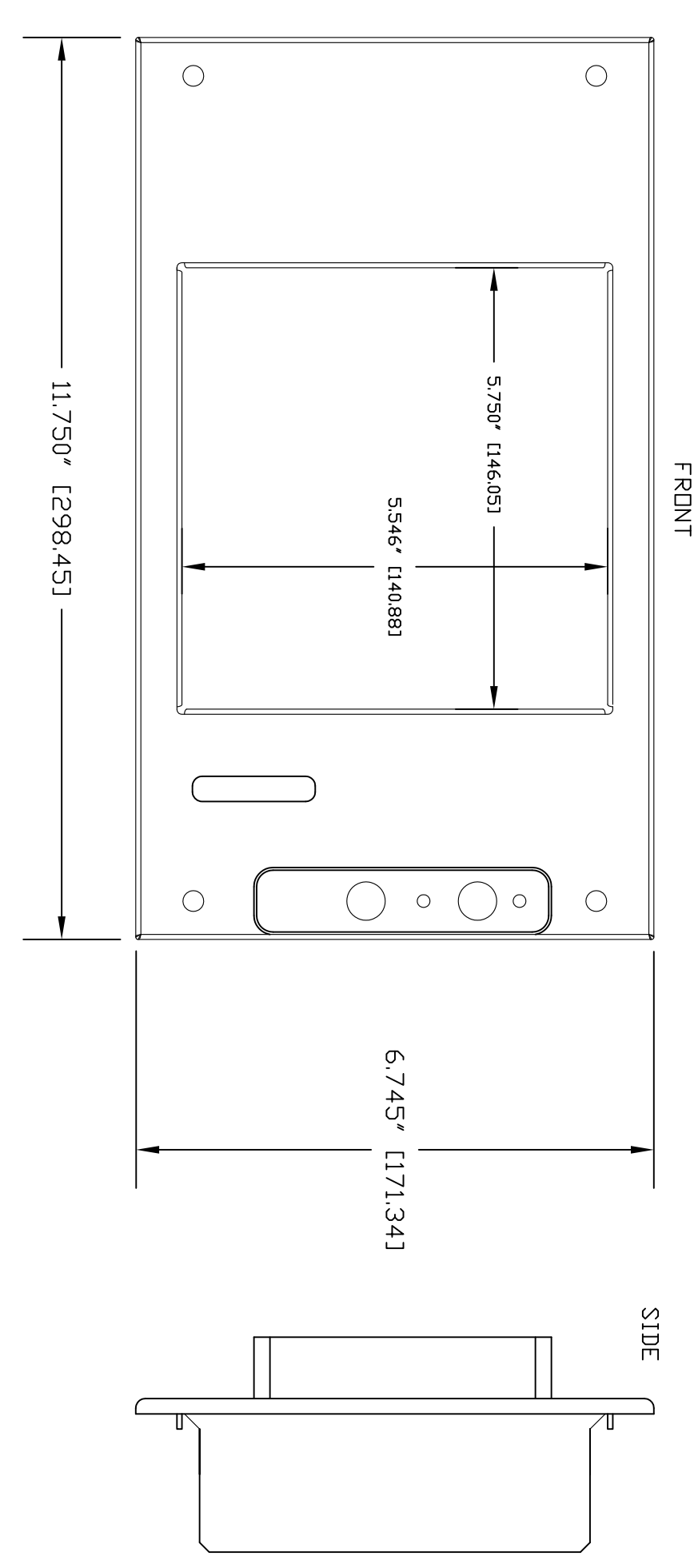


SANDWICHERD
SMART GLASS ISO

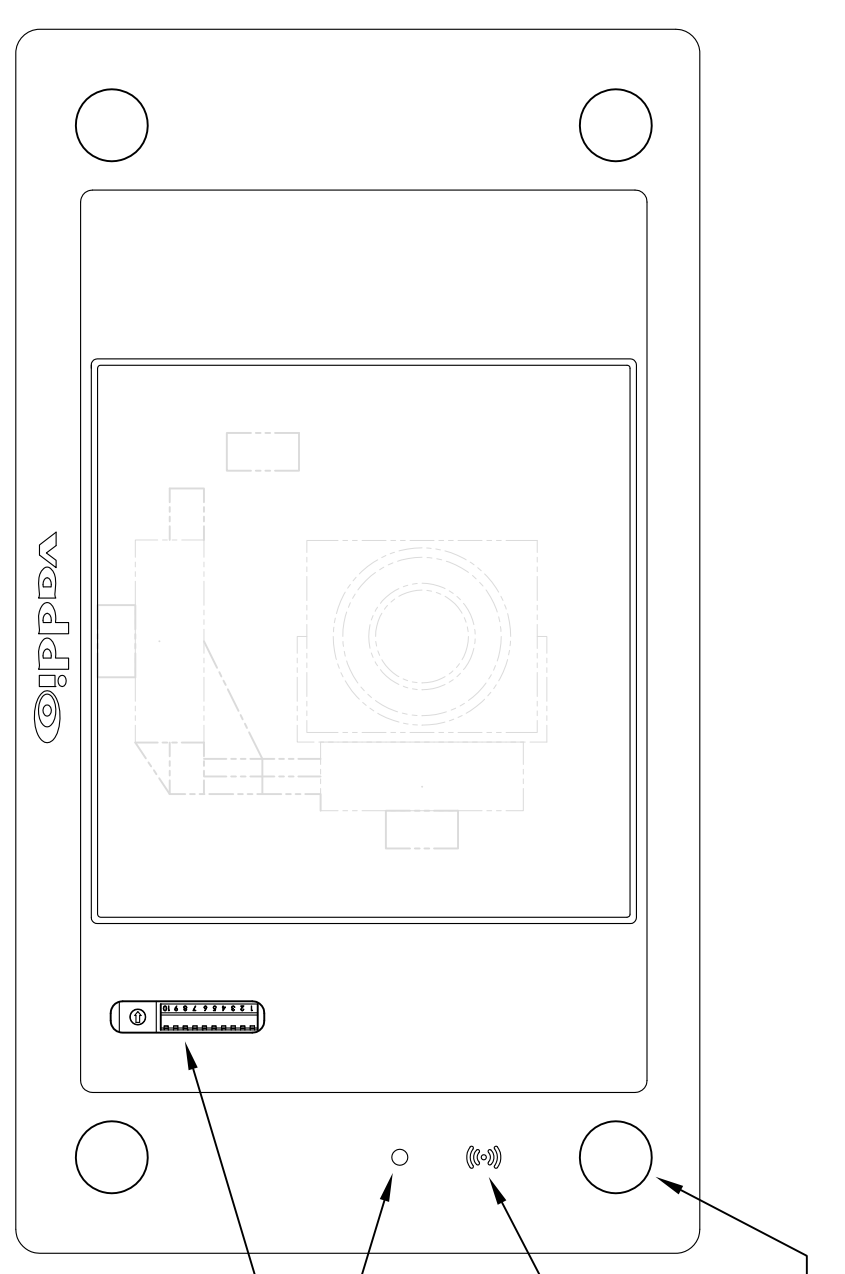
CAMERA ENCLOSURE



CAMERA ENCLOSURE
TRIM RING ASSEMBLY

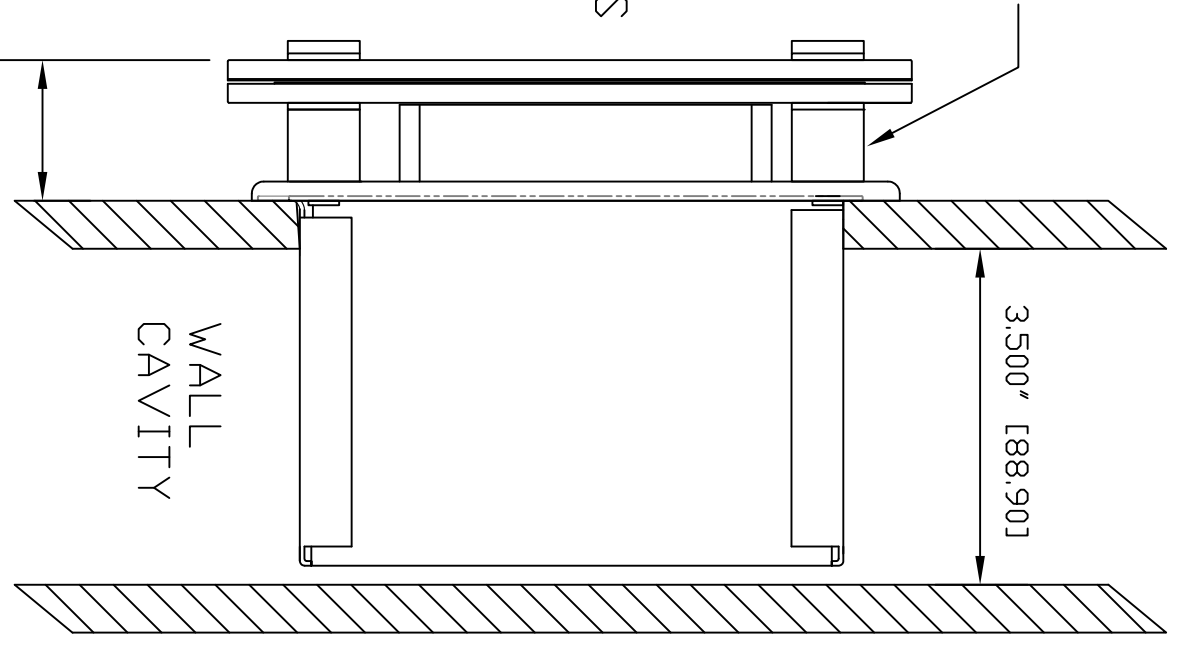


FRONT VIEW ASSEMBLED



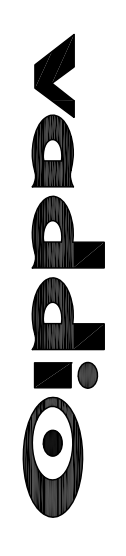
- Polished Aluminum Stand-offs and Cap Fasteners
- Power LED
- IR Receiver
- Camera Function Switches Behind Glass

EC GLASS SHOWN



SIDE VIEW
IN-WALL ASSEMBLED

DRY WALL CUT-OUT SIZE (H x W)
5.75" [146.05] H x 8.75" [222.25] W



GENERAL NOTES IN INCHES UNLESS OTHERWISE NOTED
DIMENSIONS ARE TO FACE UNLESS OTHERWISE NOTED
ALL DIMENSIONS ARE TO FACE UNLESS OTHERWISE NOTED
ALL RIGHTS RESERVED - Copyright 2010

REVEAL Architectural In-Wall Series PTZ Cameras

REVEAL Part Numbers North America 999-6925-000 999-6926-000 999-6927-000 999-6928-000
REVEAL Part Numbers International 999-6925-010 999-6926-010 999-6927-010 999-6928-010

THIS DRAWING, INCLUDING ALL SUBJECT MATTERS INDICATED HEREON OR DERIVED THEREFROM, IS THE PROPERTY OF VADDIO. ALL RIGHTS RESERVED. Copyright 2010.

FINISH	BLACK POWDERCOAT 2BK GLASS	SCALE	1:2	DRAWING No.	69-25263536	REV	A
SIZE	D						