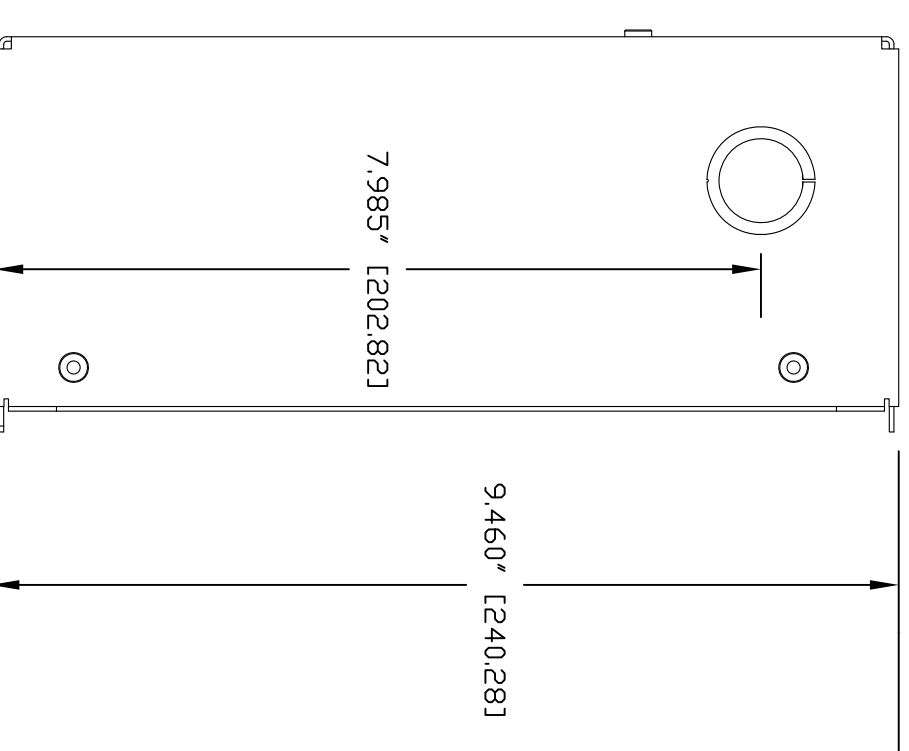
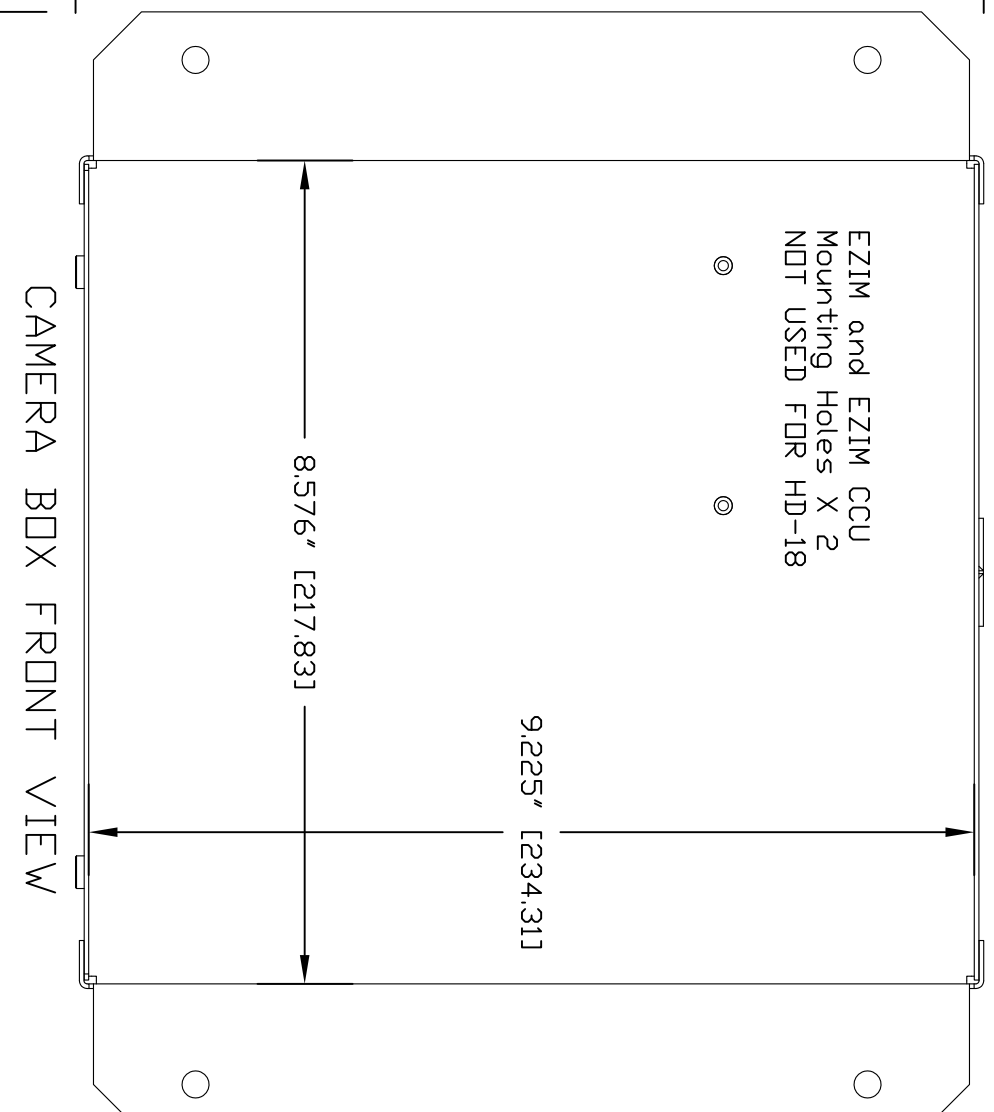
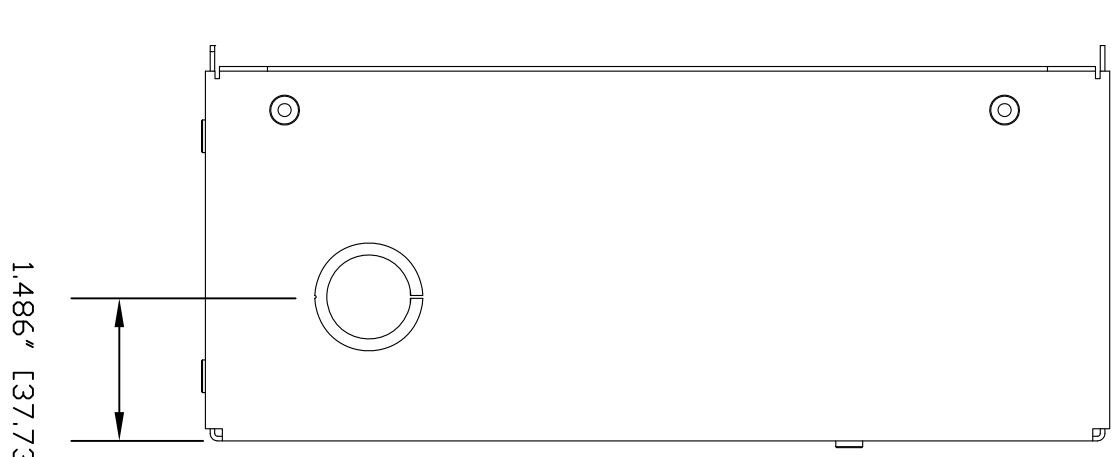


CAMERA BDX  
LEFT SIDE VIEW

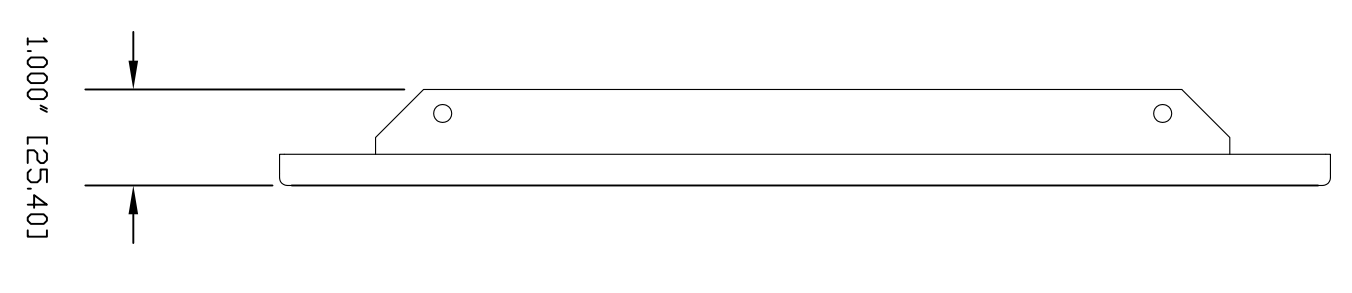


CAMERA BDX  
RIGHT SIDE VIEW

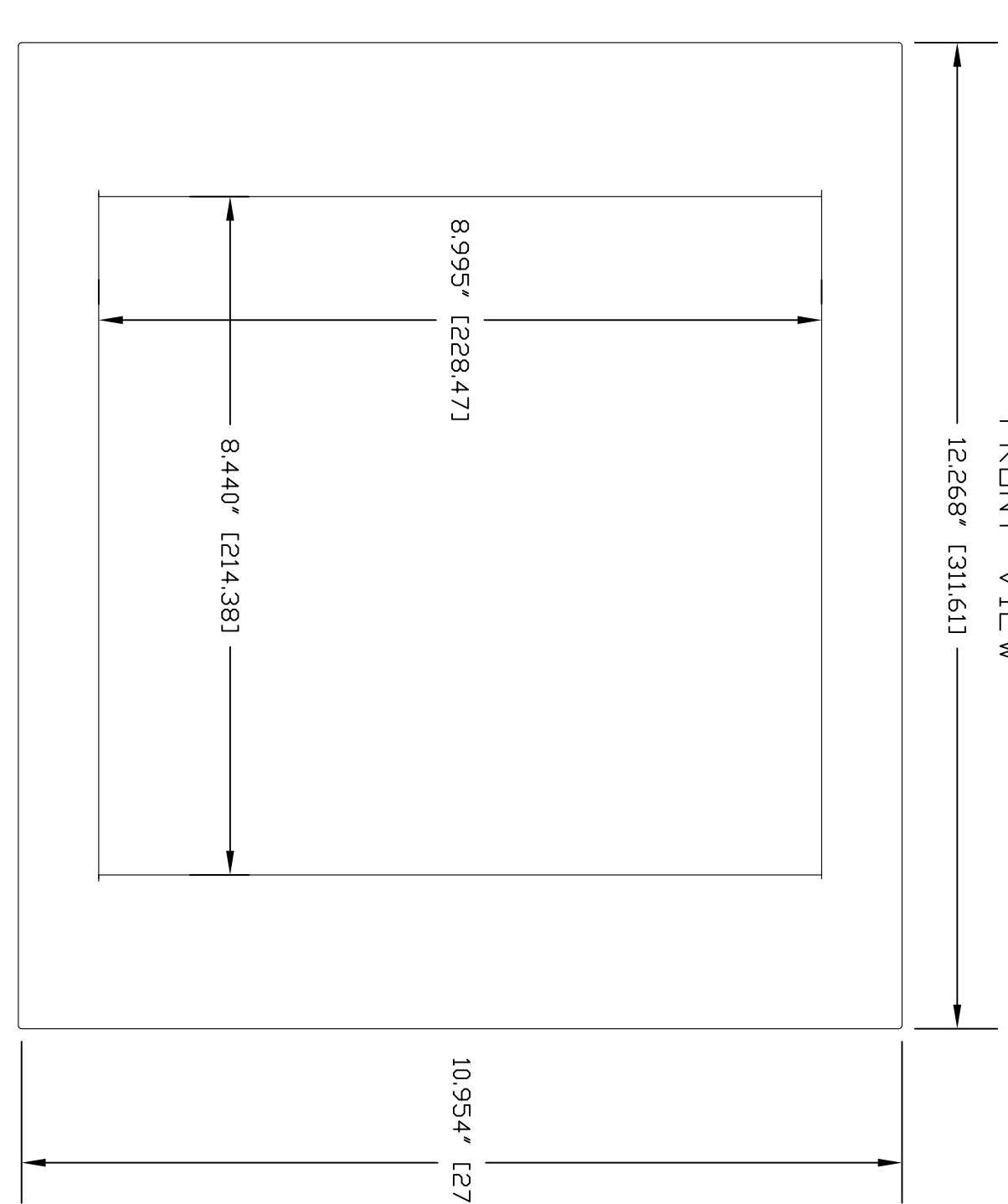


CAMERA BDX FRONT VIEW

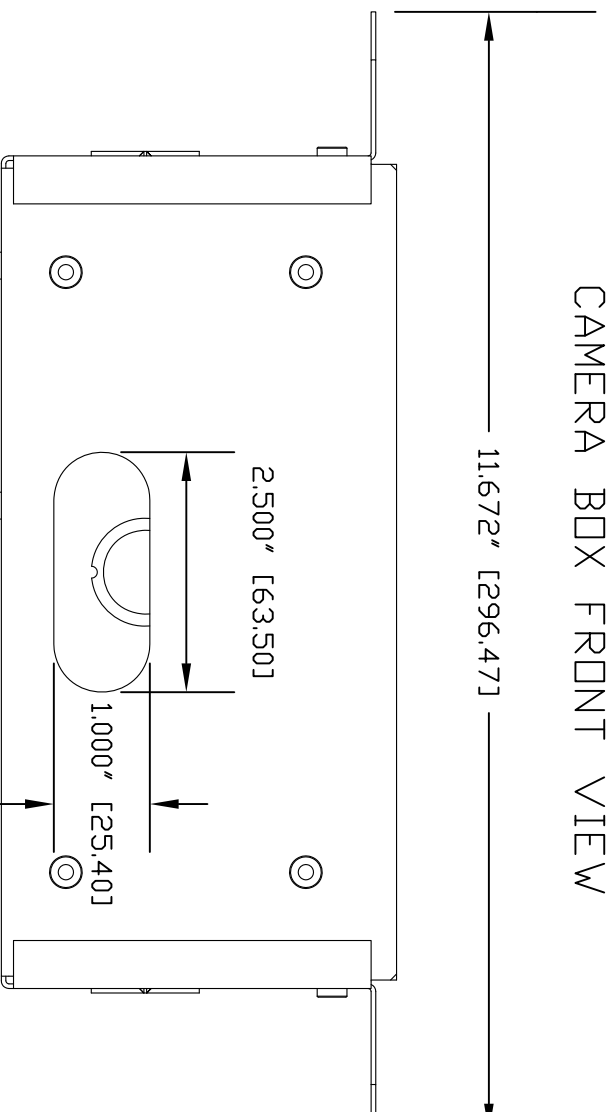
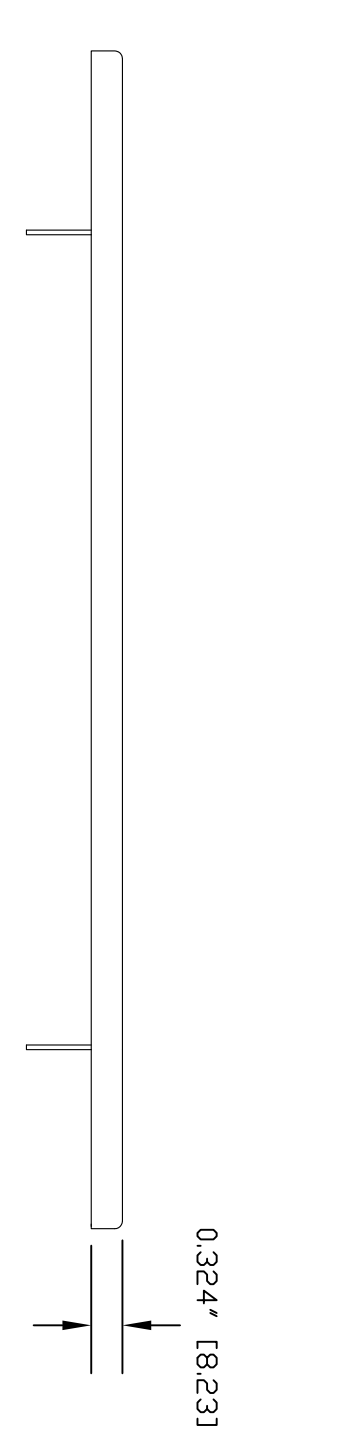
FACE FRAME  
SIDE VIEW



FACE FRAME  
FRONT VIEW



FACE FRAME  
TOP VIEW



CAMERA BDX BOTTOM VIEW



GENERAL NOTES: DIMENSIONS ARE IN INCHES UNLESS OTHERWISE NOTED.  
 THIS DRAWING, INCLUDING ALL SUBJECT MATTERS INDICATED THEREON OR DERIVED THEREFROM,  
 IS THE PROPERTY OF VADDIO. IT IS TO BE USED ONLY FOR THE PRODUCTS AND SERVICES SPECIFICALLY  
 IDENTIFIED HEREON. ALL RIGHTS RESERVED. Copyright © 2008 VADDIO. ALL RIGHTS RESERVED.  
 SPECIFICATIONS WITHOUT PRIOR NOTICE OR DELIBERATION.

IN-Wall Mount for Vaddio HD-18

Vaddio PART NUMBER 999-2225-018 (BDX, FRAME & PLATFORM)

DRAWN	CHECKED	APPROVED	DATE
RAR/WLF		RAR	12/21/2009
MATERIALS		SCALE	DRAWING No.
FINISH		SIZE	REV
WHITE POWDERCOAT 20% GLOSS Vaddio 896-903		D	2225-018 REV A