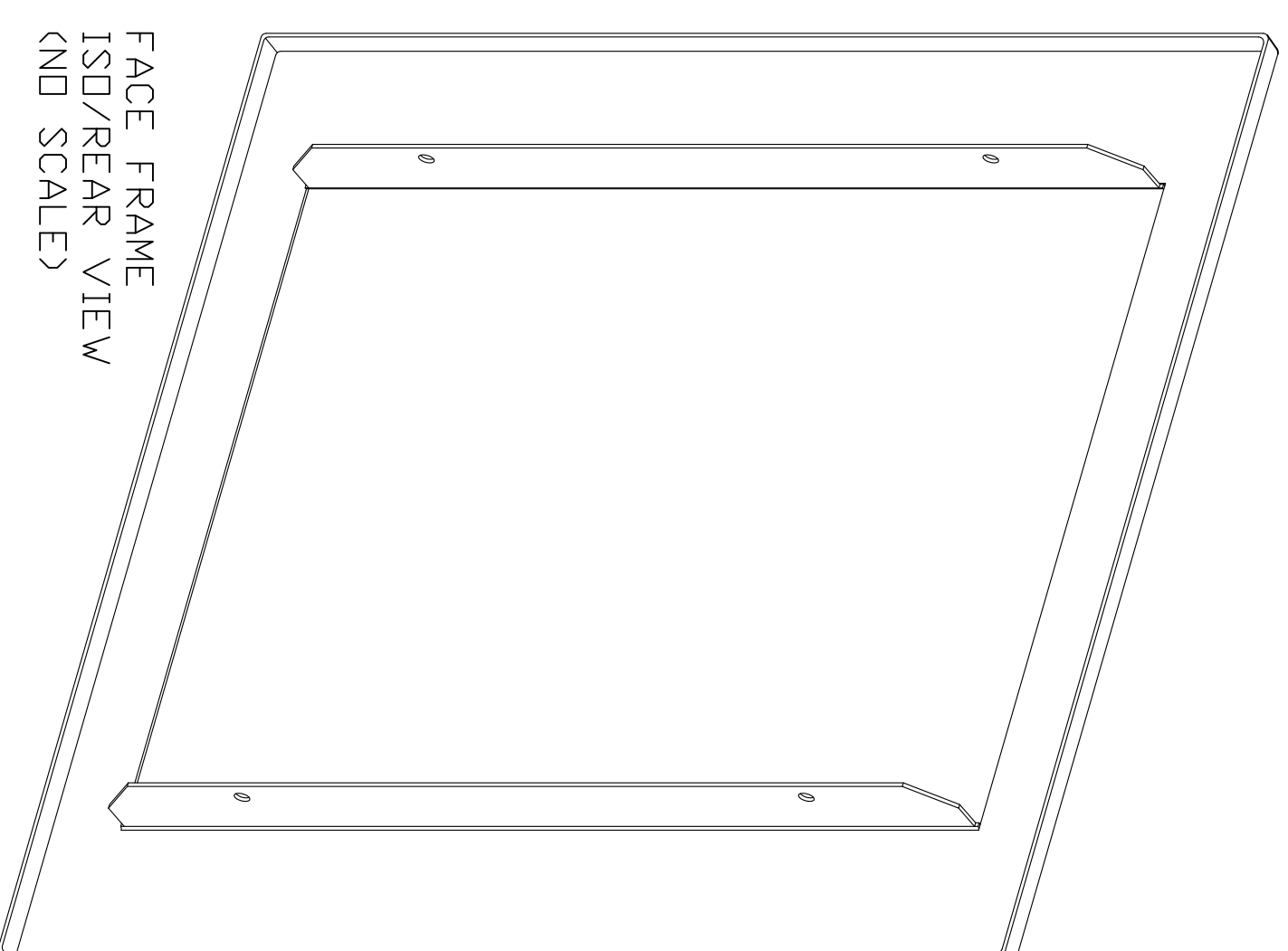
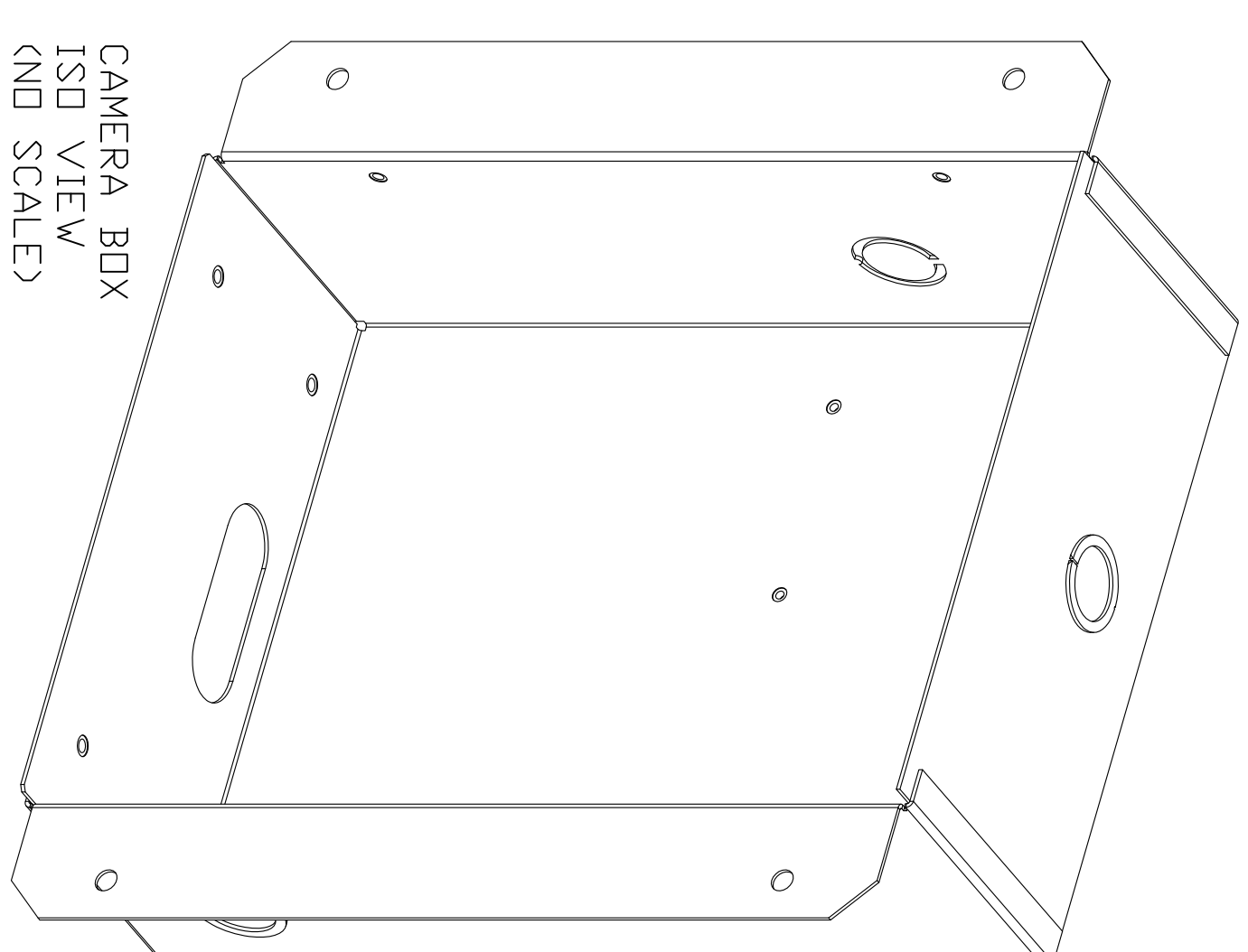


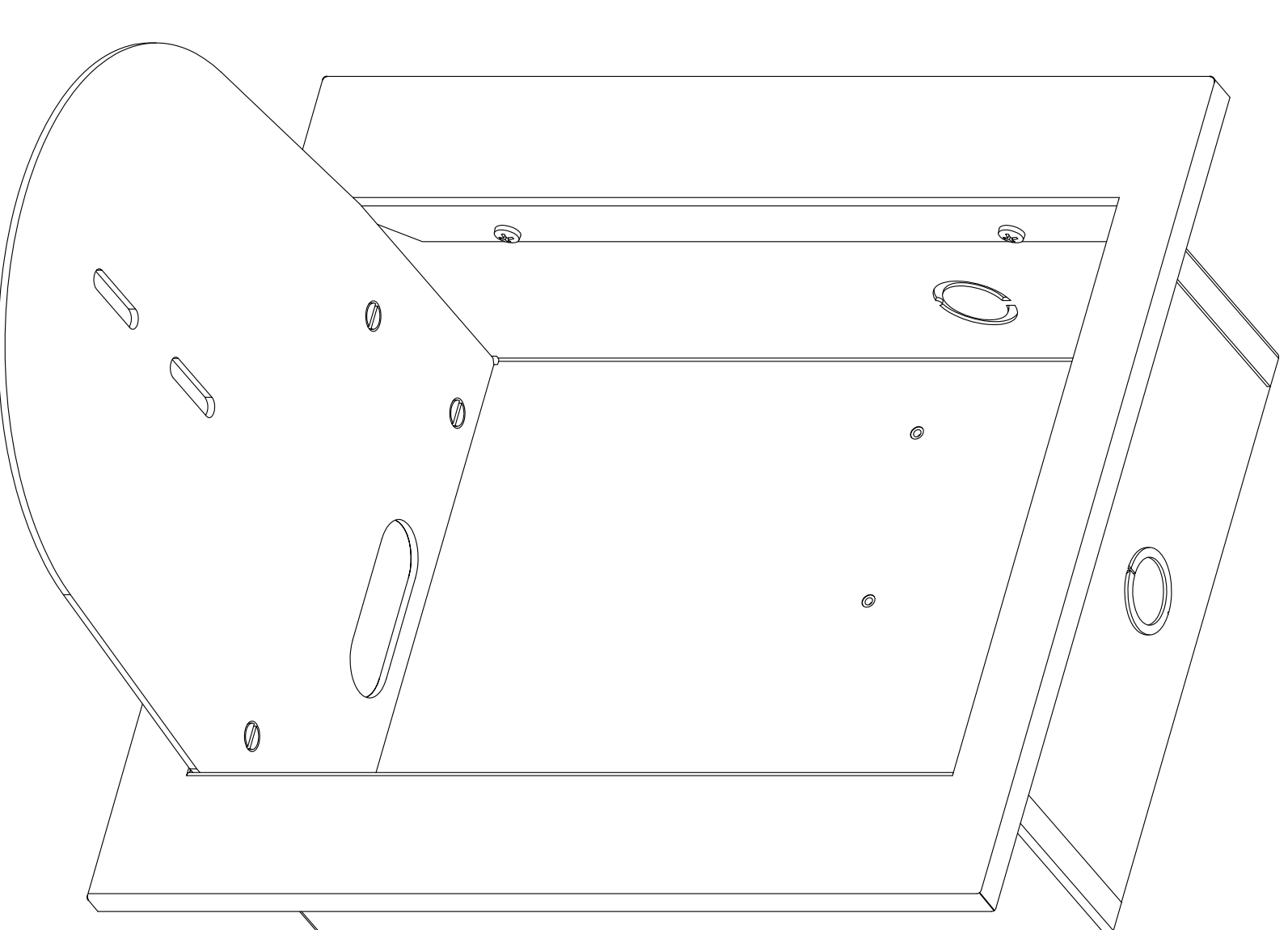
CAMERA PLATFORM TOP AND SIDE VIEWS
(1/2 GAUGE CRSS)



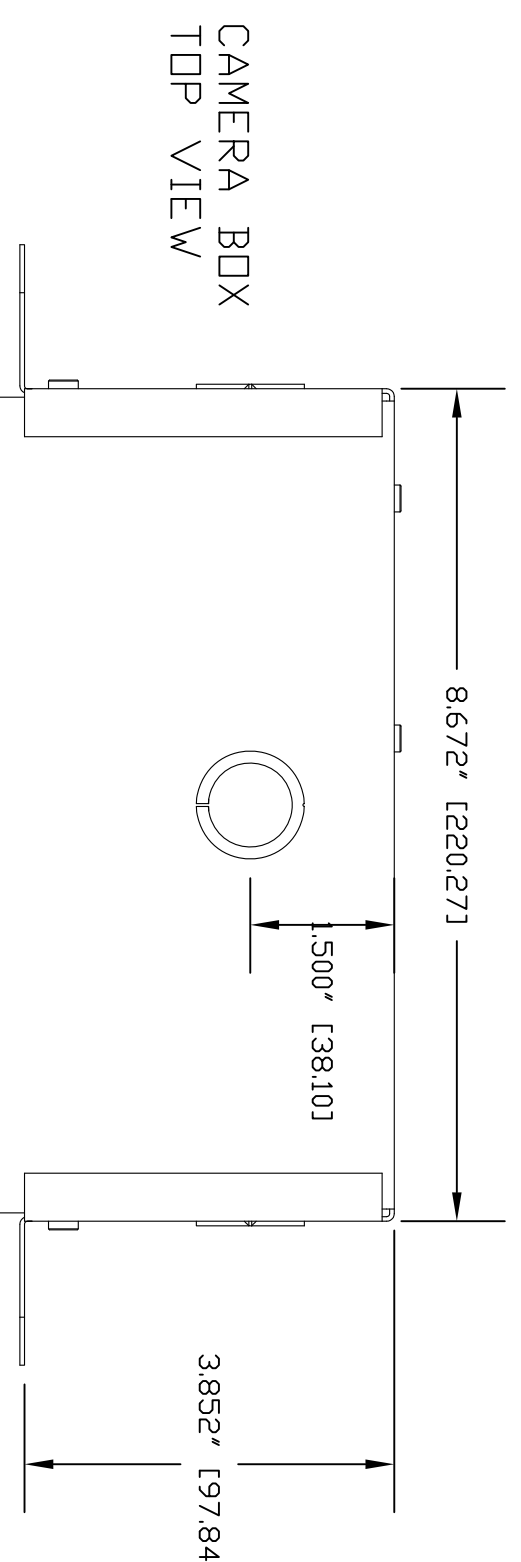
FACE FRAME
ISD/REAR VIEW
(ND SCALE)



CAMERA BOX
ISD VIEW
(ND SCALE)

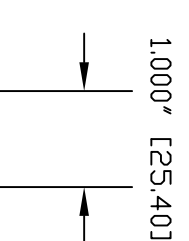


CAMERA BOX PLATFORM
AND FRAME ISD VIEW
(ND SCALE)

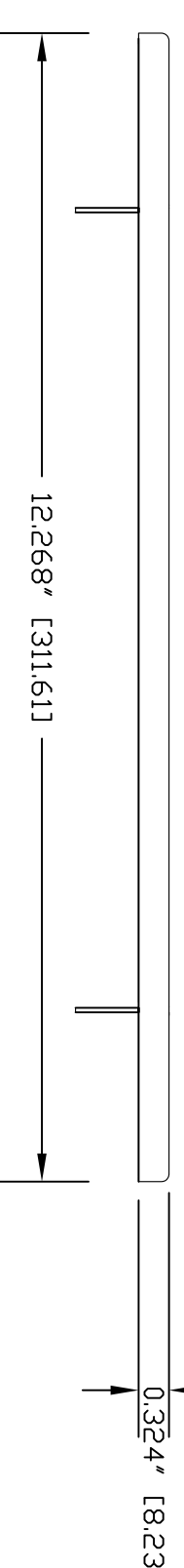


CAMERA BOX
TOP VIEW

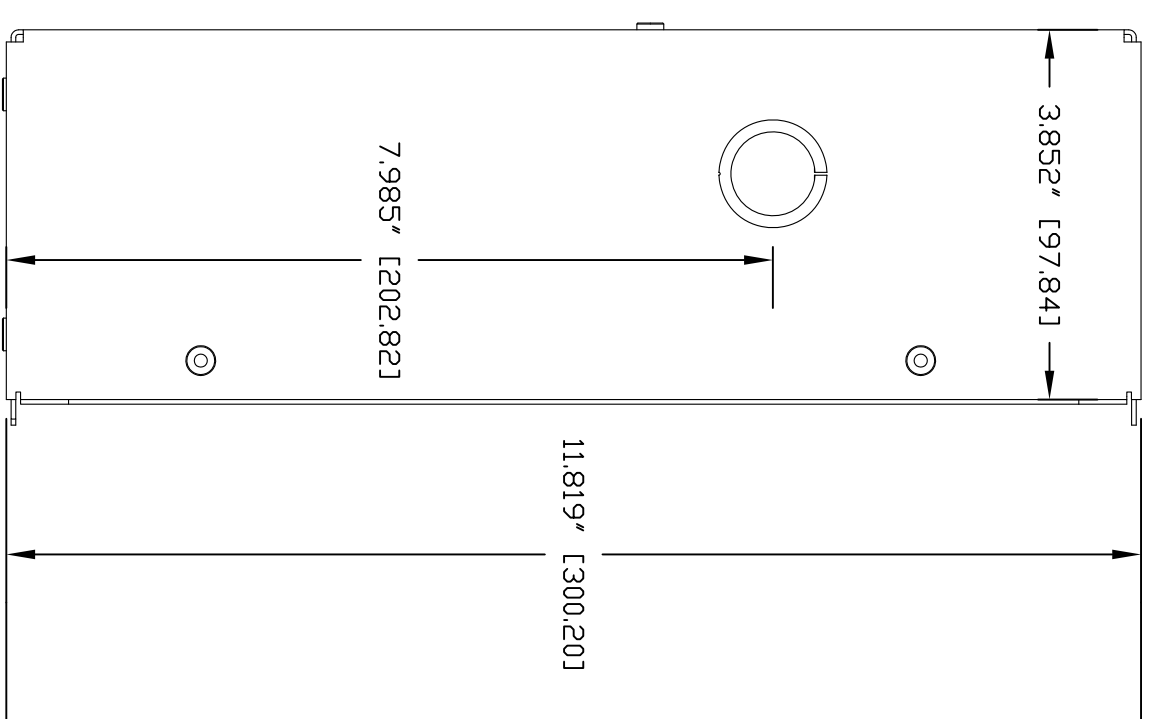
CAMERA BOX
RIGHT SIDE VIEW



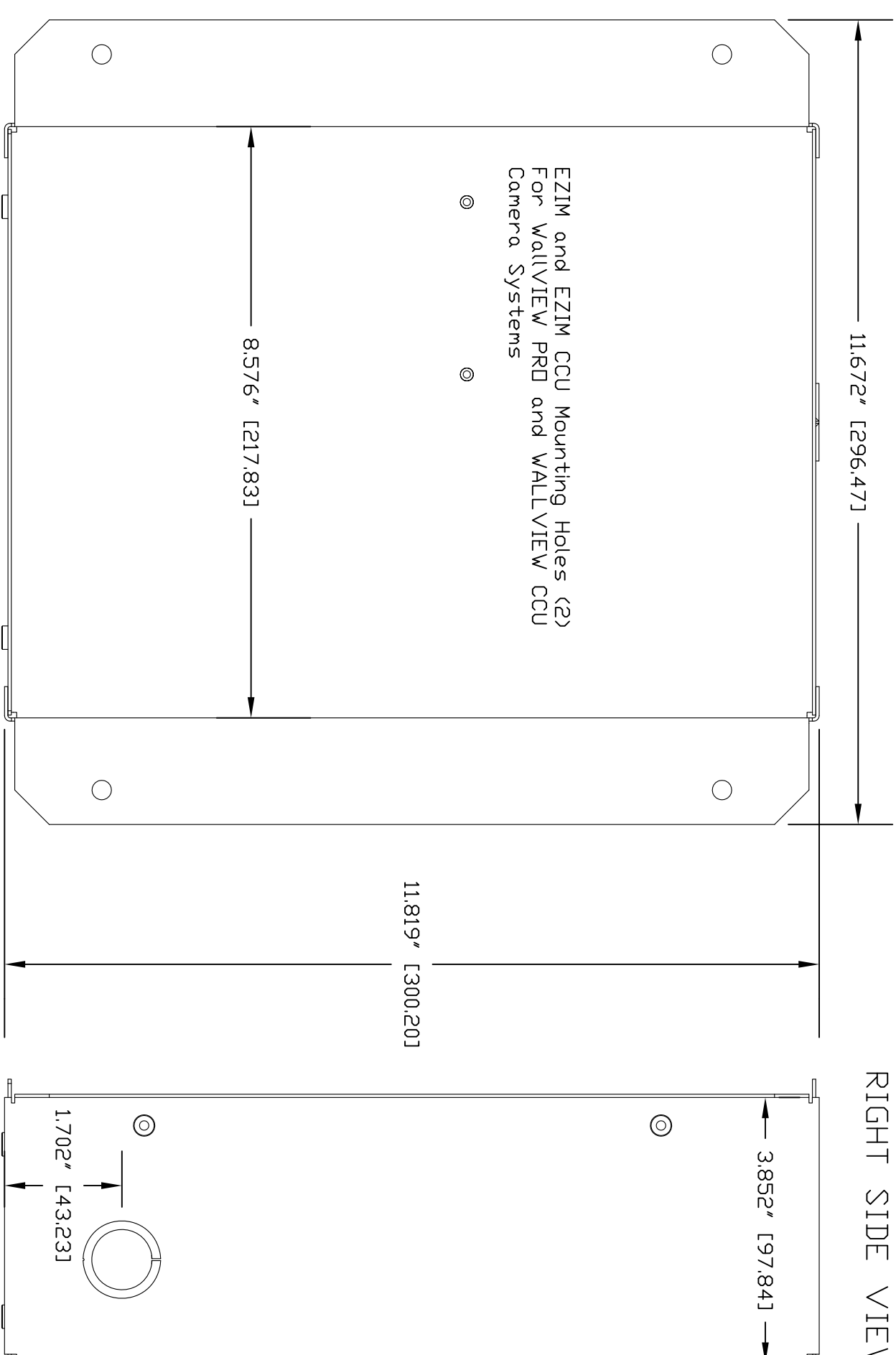
FACE FRAME TOP VIEW



CAMERA BOX
LEFT SIDE VIEW

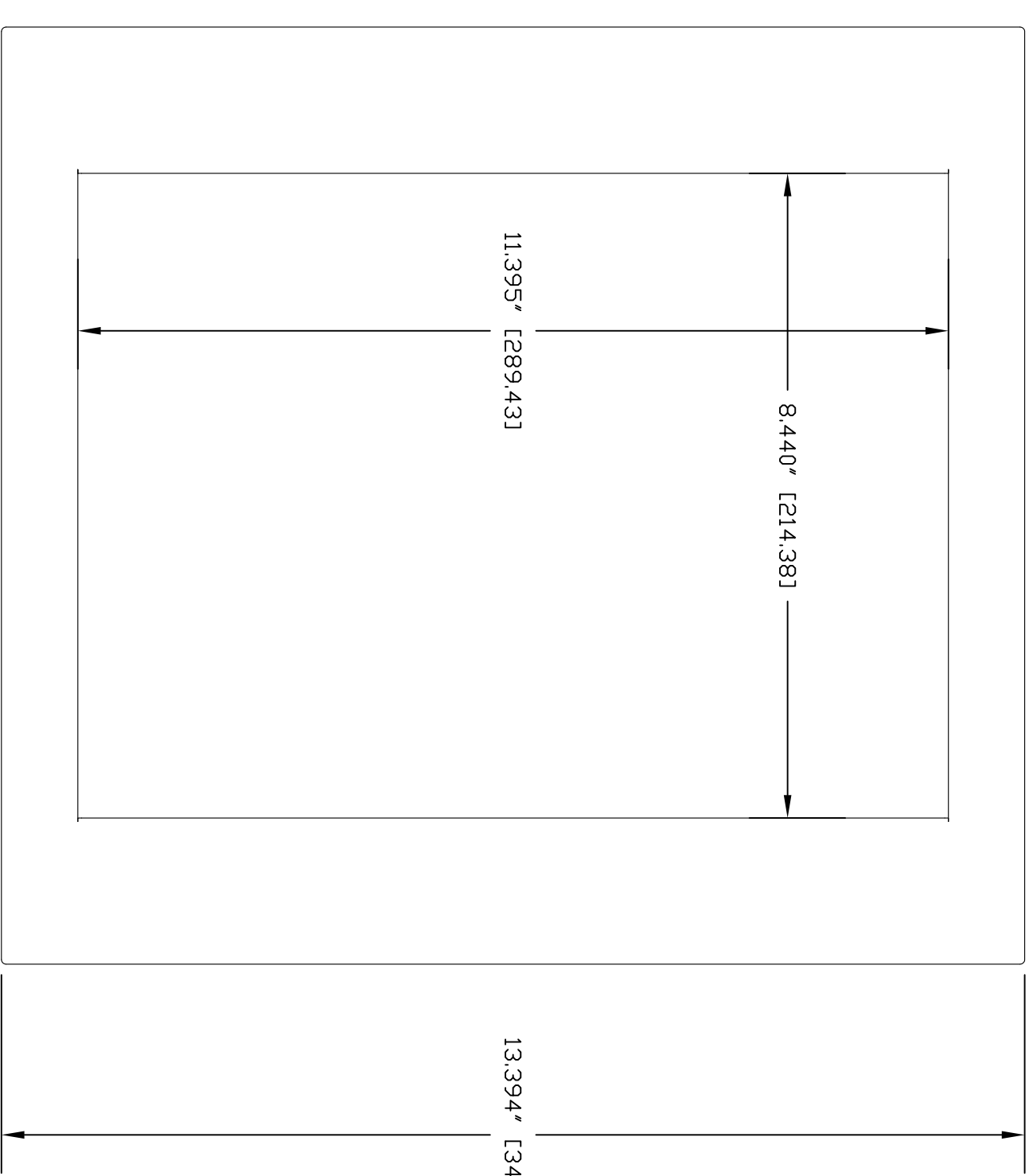


CAMERA BOX
RIGHT SIDE VIEW

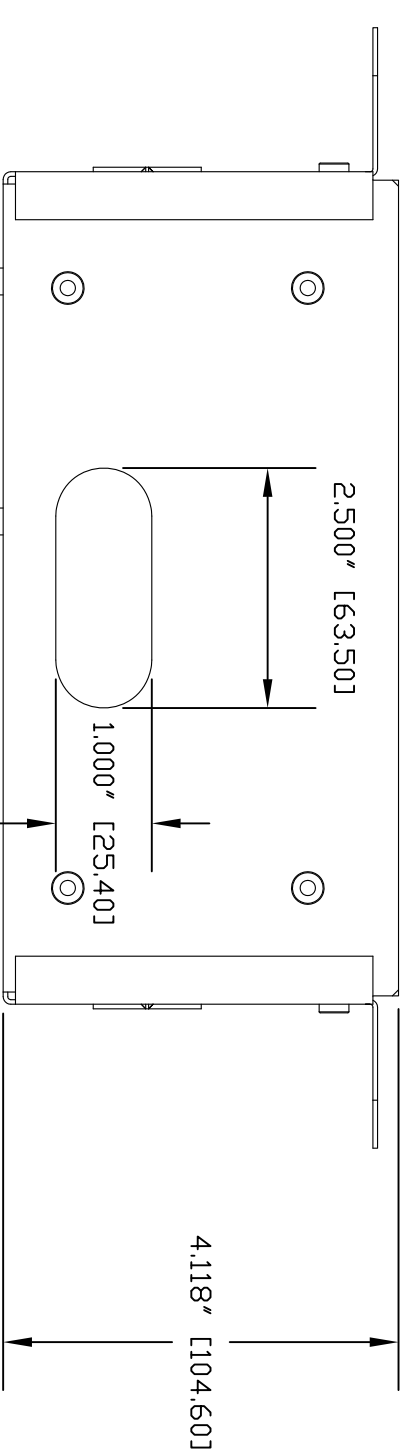


CAMERA BOX FRONT VIEW

FACE FRAME
SIDE VIEW



FACE FRAME FRONT VIEW



CAMERA BOX BOTTOM VIEW



IN-Wall Mount for Sony BRC-2700 PTZ Camera

Vaddio PART NUMBER 999-2225-017 (BOX, FRAME & PLATFORM)

GENERAL NOTES
DIMENSIONS ARE IN INCHES UNLESS OTHERWISE NOTED
OR SPECIFIED OTHERWISE.
ALL DIMENSIONS ARE TO FACE UNLESS OTHERWISE NOTED.
OUR PRODUCTS, WE RESERVE THE RIGHT TO CHANGE
SPECIFICATIONS WITHOUT PRIOR NOTICE OR OBLIGATION.

DRAWN	CHECKED	APPROVED	DATE
RAR/WLF		RAR	5/21/2009
THIS DRAWING, INCLUDING ALL SUBJECT MATTERS INDICATED HEREON OR DERIVED THEREFROM, IS THE PROPERTY OF VADDIO. ALL RIGHTS RESERVED. Copyright 2008			
MATERIALS	SCALE	DRAWING No.	REV
FINISH: WHITE POWDERCOAT 20% GLOSS Vaddio 896-903	1:2	2225-017	B
SIZE	D		