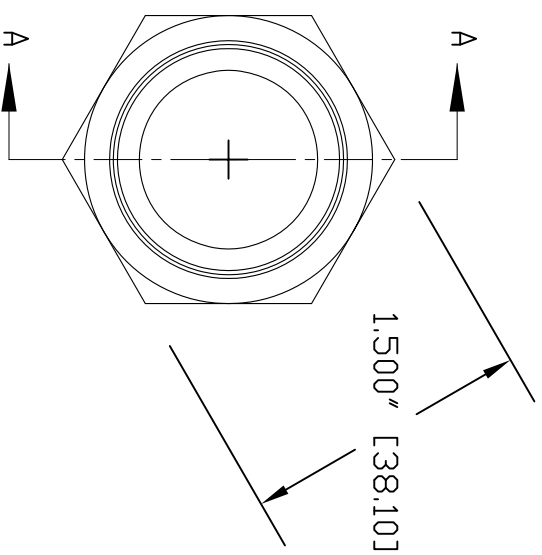
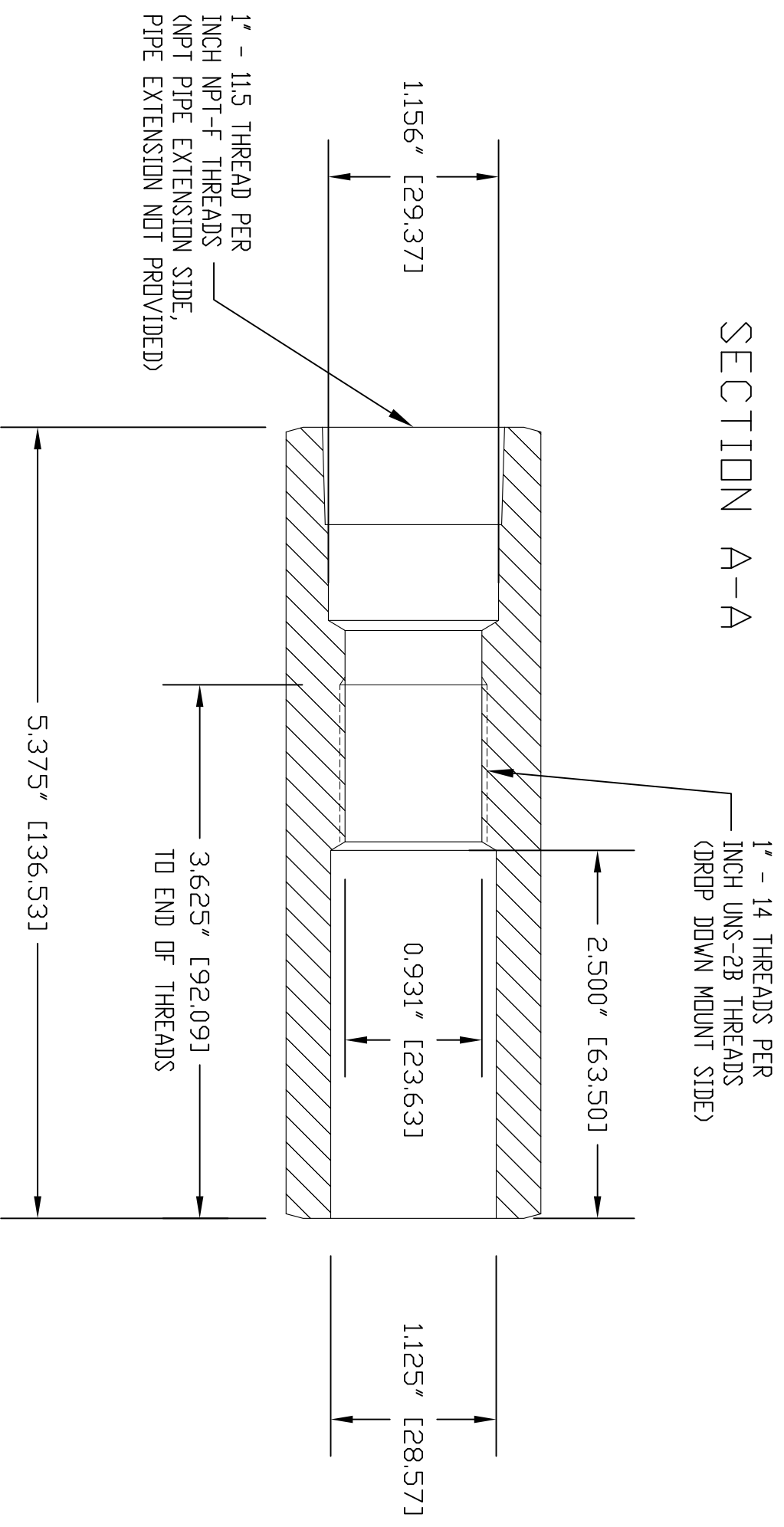


END VIEW



SECTION A-A



GENERAL NOTES:
DIMENSIONS ARE IN INCHES (mm) UNLESS OTHERWISE NOTED.
DO NOT DISTRIBUTE WITHOUT EXPRESS WRITTEN PERMISSION
OF VADDIO. DUE TO OUR CONTINUING EFFORTS TO ENHANCE
OUR PRODUCTS, WE RESERVE THE RIGHT TO CHANGE
SPECIFICATIONS WITHOUT PRIOR NOTICE OR OBLIGATION.

DROP DOWN PIPE COUPLER KIT FOR LARGE/SMALL PLATFORM MOUNTS

535-2000-299, 1" NPT to 1" UNS COUPLER FOR DROP DOWN SERIES MOUNTS

DRAWN	CHECKED	APPROVED	DATE
WLF/RAR		RAR	12/11/2008
THIS DRAWING, INCLUDING ALL SUBJECT MATTERS INDICATED THEREON OR DERIVED THEREFROM, COMPRISES PROPRIETARY INFORMATION AND IS THE EXPRESS PROPERTY OF VADDIO. All Rights Reserved - Copyright 2008			
MATERIALS		SCALE	DRAWING NO.
1 1/2" STEEL HEX STOCK		1:1	341-707
FINISH	CLEAR ZINC, THEN BLACK FLAT POWDERCOAT	SIZE	REV
	#806-394, NO PAINT ON THREADS	B	A