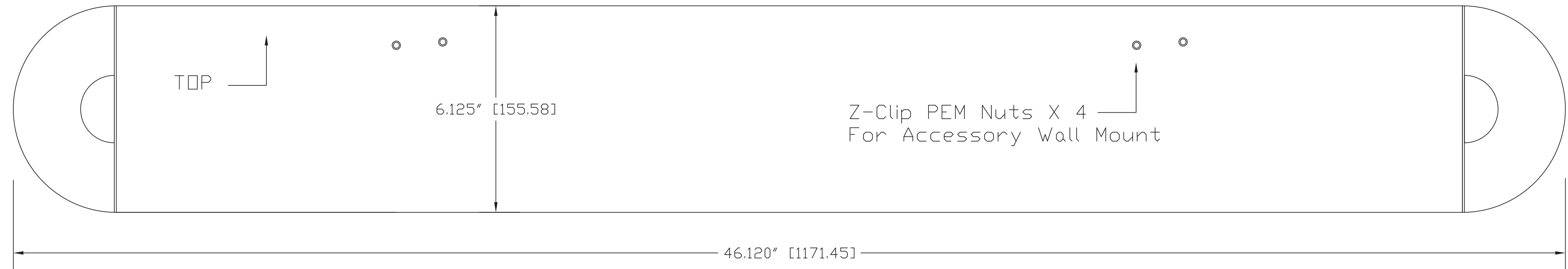
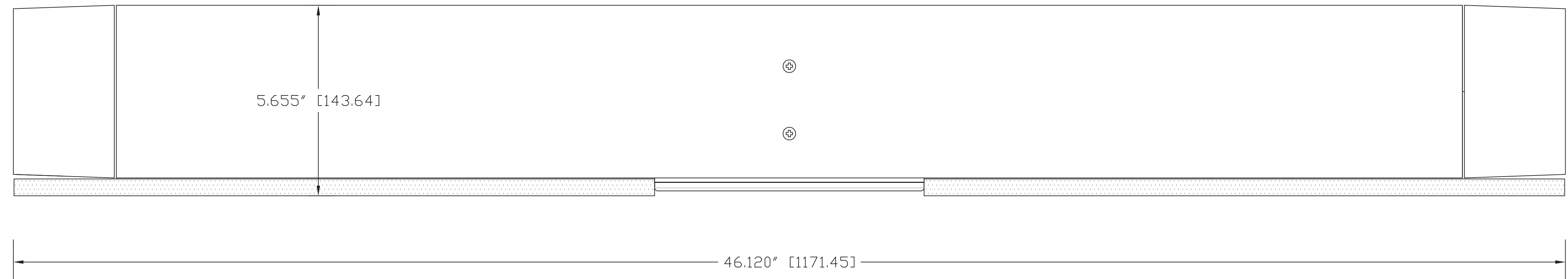


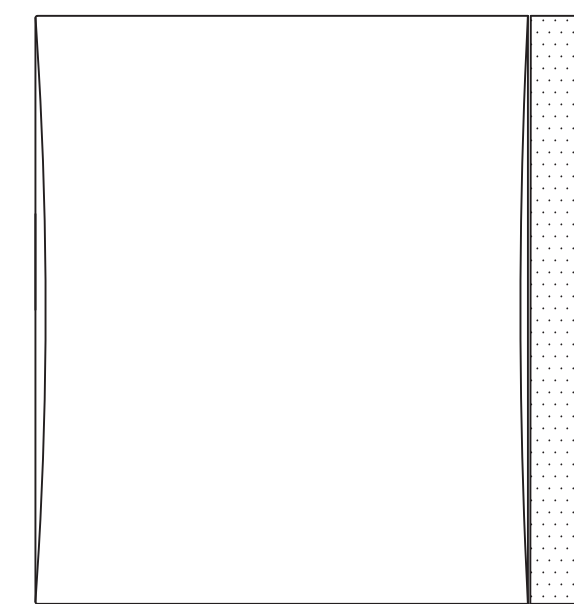
REAR VIEW



TOP VIEW



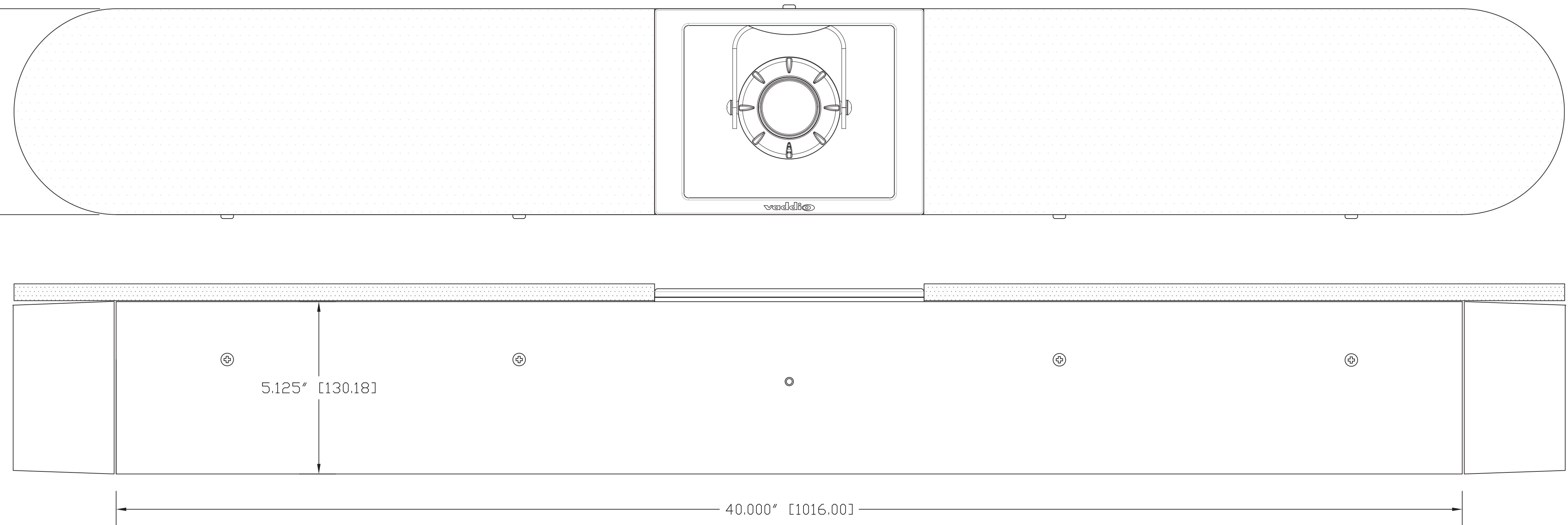
5.655" [143.64]



6.125" [155.58]

SIDE VIEW

FRONT VIEW



BOTTOM VIEW

**vaddio**

GENERAL NOTES:  
DIMENSIONS ARE IN INCHES (mm) UNLESS OTHERWISE NOTED.  
DO NOT DISTRIBUTE WITHOUT EXPRESS WRITTEN PERMISSION  
OF VADDIO. DUE TO OUR CONTINUING EFFORTS TO ENHANCE  
OUR PRODUCTS, WE RESERVE THE RIGHT TO CHANGE  
SPECIFICATIONS WITHOUT PRIOR NOTICE OR OBLIGATION.

GroupSTATION CAMERA/SOUND BAR PN: 998-8810-000

Includes 19X Zoom Camera, Speakers, Amps and Interface

DRAWN RAR	CHECKED	APPROVED RAR	DATE 08/30/2013
--------------	---------	-----------------	--------------------

THIS DRAWING, INCLUDING ALL SUBJECT MATTERS INDICATED THEREON OR DERIVED THEREFROM, COMPRISES PROPRIETARY INFORMATION AND IS THE EXPRESS PROPERTY OF VADDIO. All Rights Reserved - Copyright © 2013

MATERIALS CRS SHT., VARIOUS GAUGE BLACK POWDERCOAT - BK303	SCALE 1:2	DRAWING No. 8810-000	REV B
COMMENTS Surface Polarizing Inhibitor (SPI) - NOT INCLUDED	SIZE D		