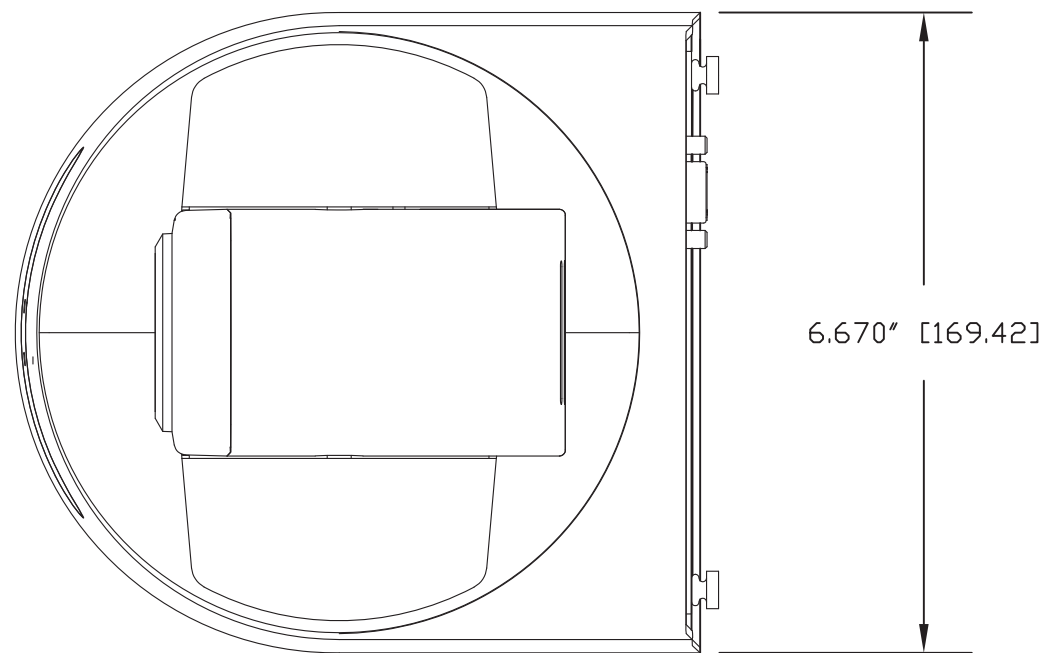
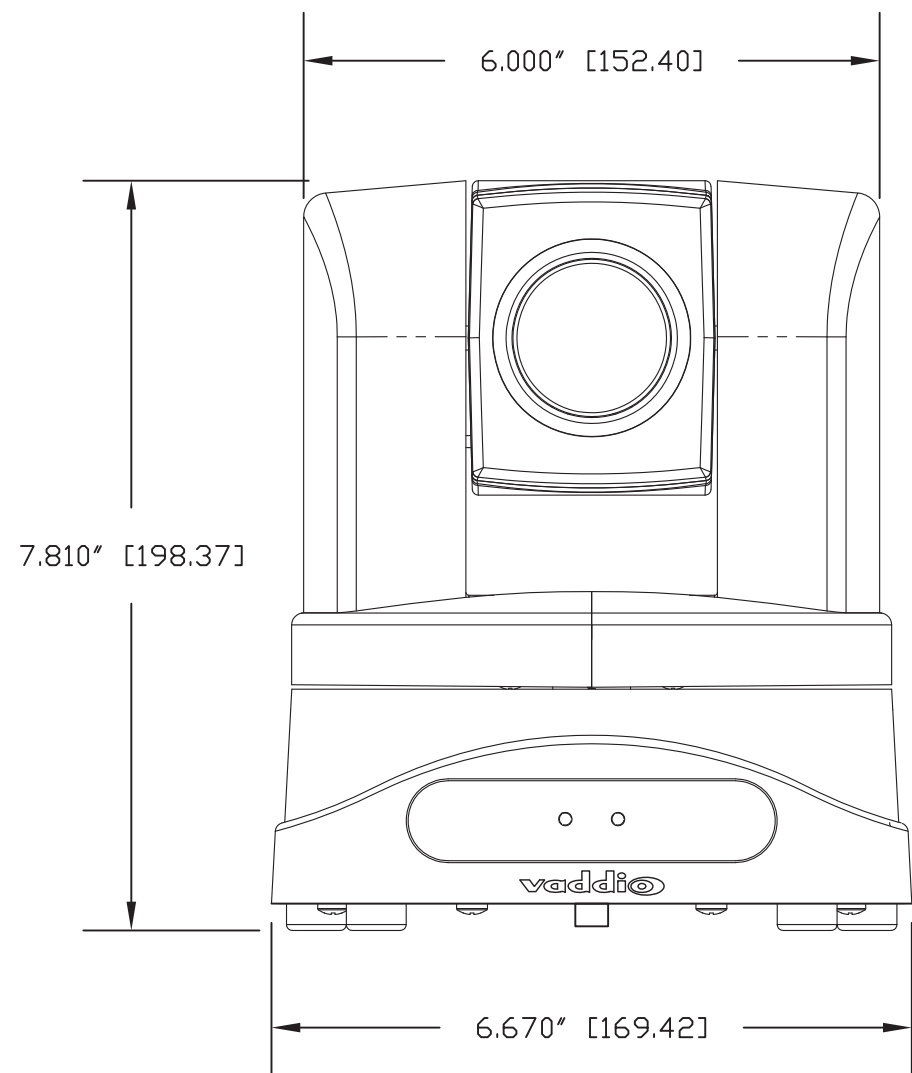


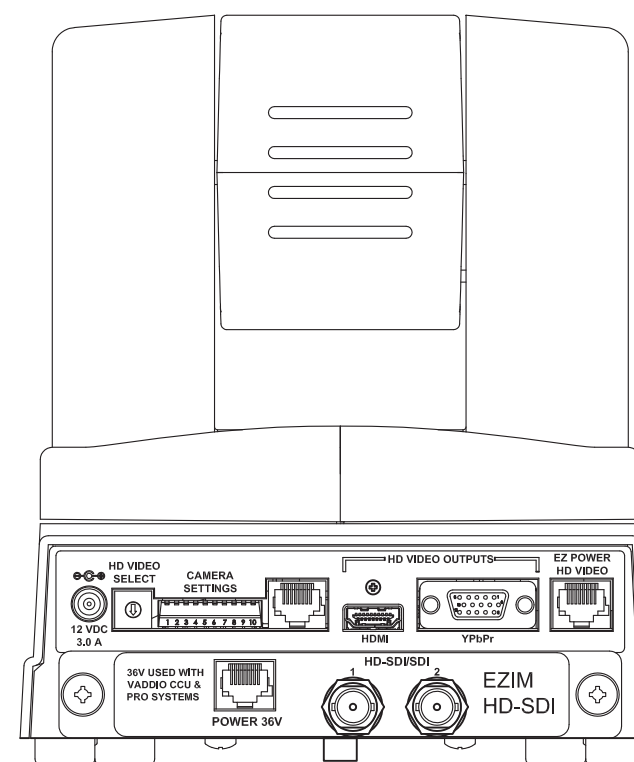
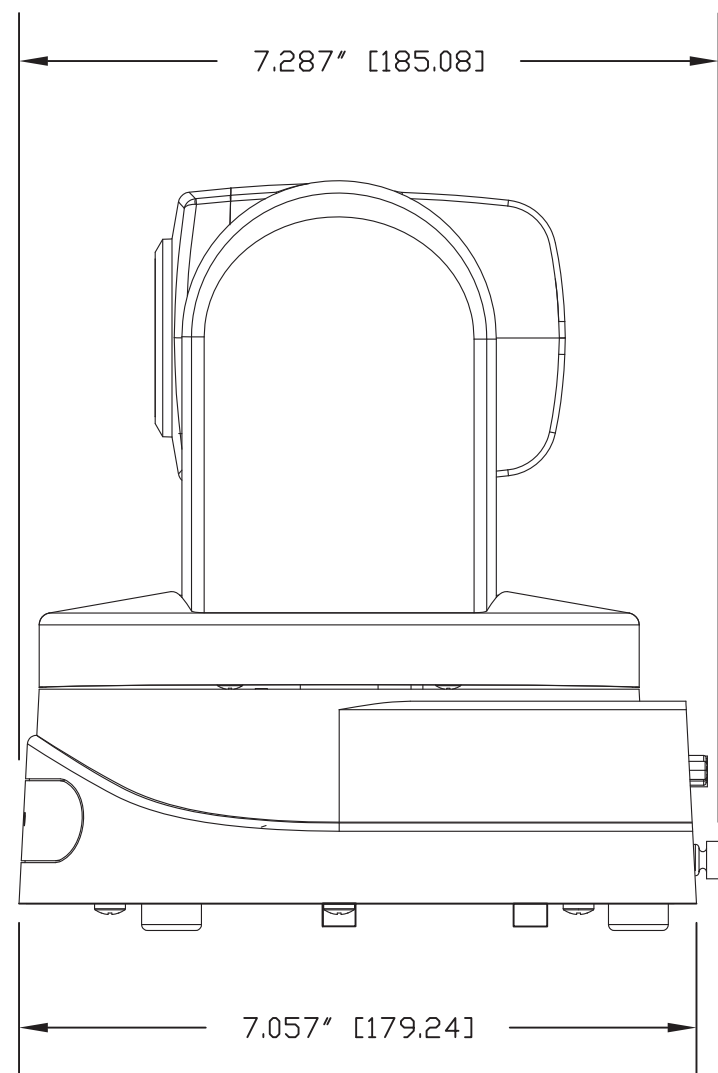
TOP VIEW



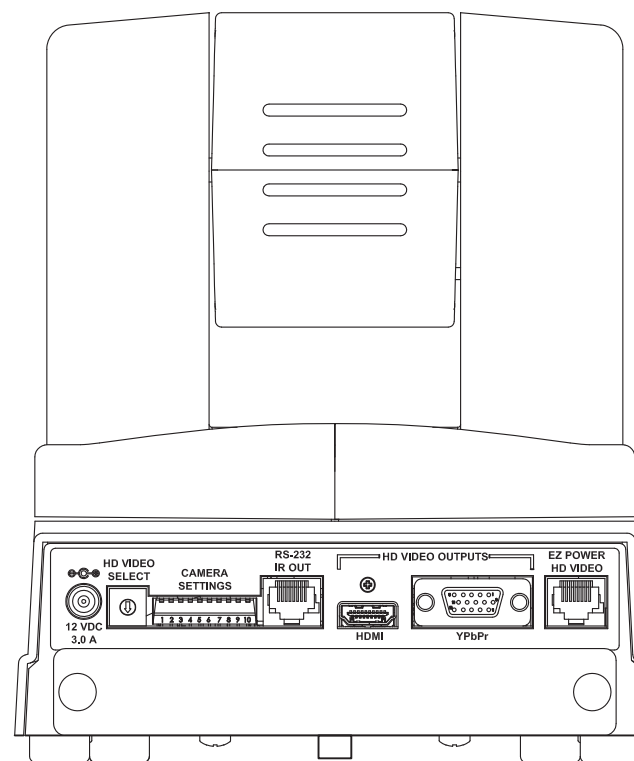
FRONT VIEW



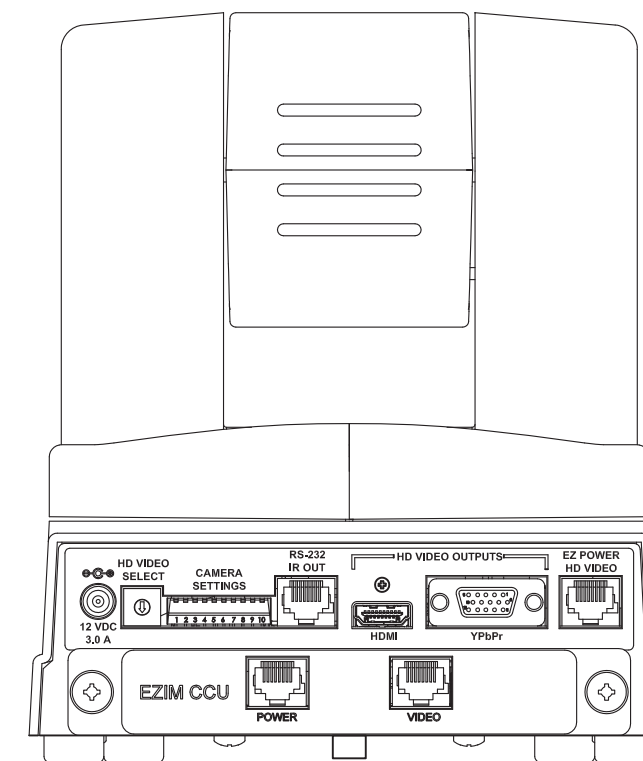
SIDE VIEW



REAR VIEW WITH HD-SDI SLOT CARD

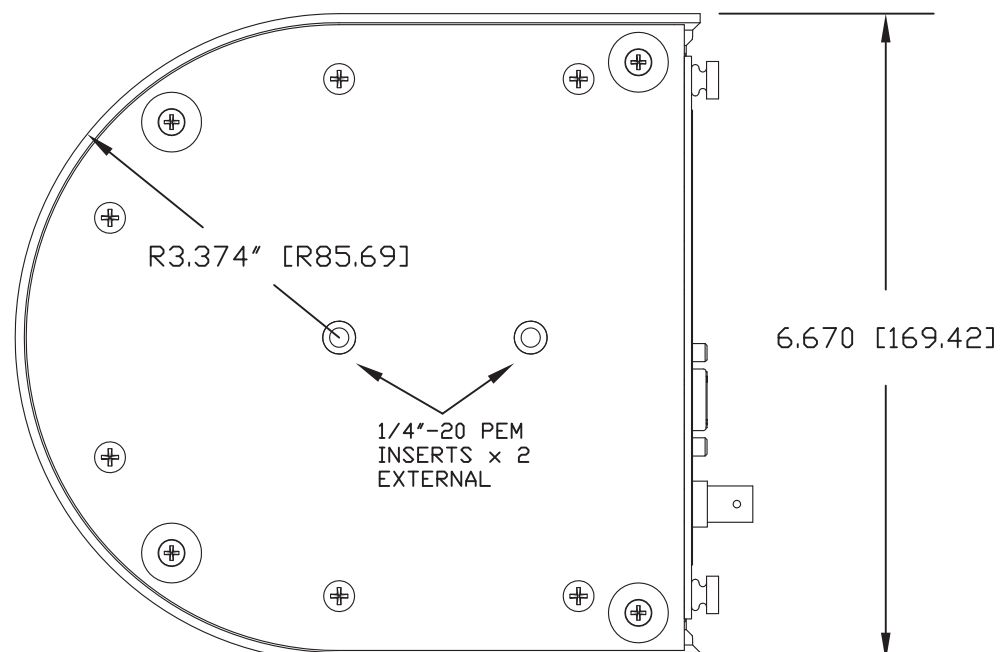


REAR VIEW NO SLOT CARD - COVER ONLY



REAR VIEW WITH EZIM CCU SLOT CARD

BOTTOM VIEW



		GENERAL NOTES: DIMENSIONS ARE IN INCHES (mm) UNLESS OTHERWISE NOTED. DO NOT DISTRIBUTE WITHOUT EXPRESS WRITTEN PERMISSION OF VADDIO. DUE TO OUR CONTINUING EFFORTS TO ENHANCE OUR PRODUCTS, WE RESERVE THE RIGHT TO CHANGE SPECIFICATIONS WITHOUT PRIOR NOTICE OR OBLIGATION.	
		VADDIO ClearVIEW HD-20se, HD PTZ CAMERA VADDIO PART NUMBERS: 999-6980-000 (Black), 999-6980-000AW (Arctic White) - North America 999-6980-001 (Black), 999-6980-001AW (Arctic White) - Int'l	
DRAWN RAR	CHECKED RAR	APPROVED RAR	DATE 01/12/2015
THIS DRAWING, INCLUDING ALL SUBJECT MATTERS INDICATED THEREON OR DERIVED THEREFROM, COMPRISES PROPRIETARY INFORMATION AND IS THE EXPRESS PROPERTY OF VADDIO. All Rights Reserved - Copyright 2015			
MATERIALS VARIOUS - SEE BOM	SCALE 1:2	DRAWING No. 6980	REV REV A
FINISH Black and Arctic White Versions Available		SIZE C	