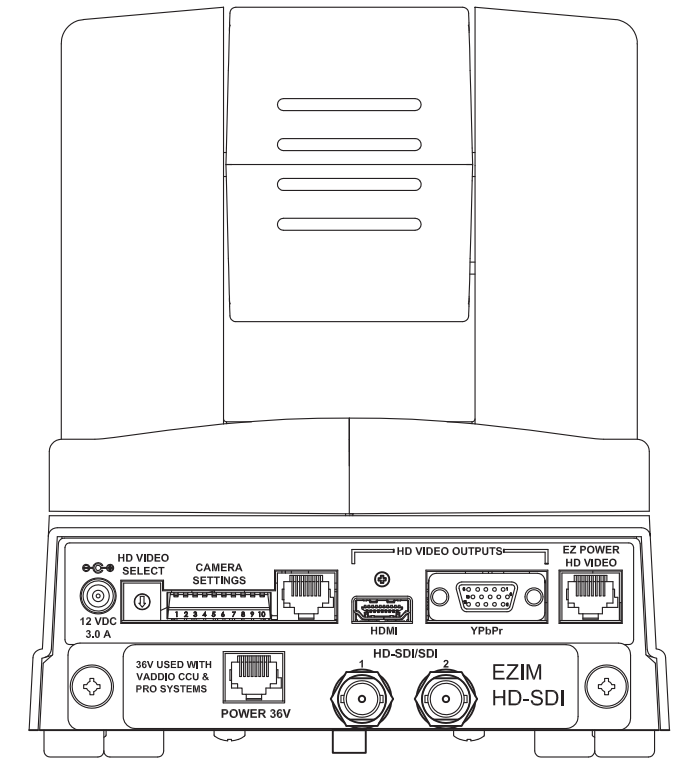


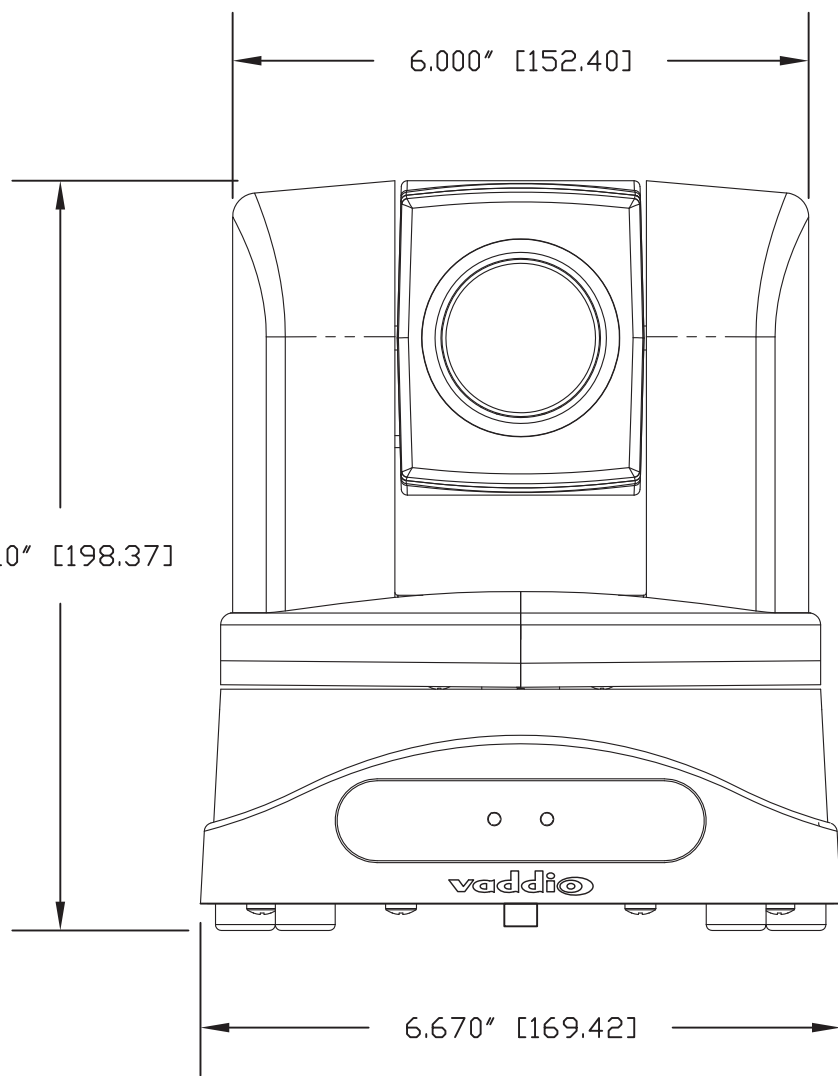
6.670" [169.42]



HD-22/30 - REAR VIEW WITH HD-SDI SLOT CARD

FRONT VIEW

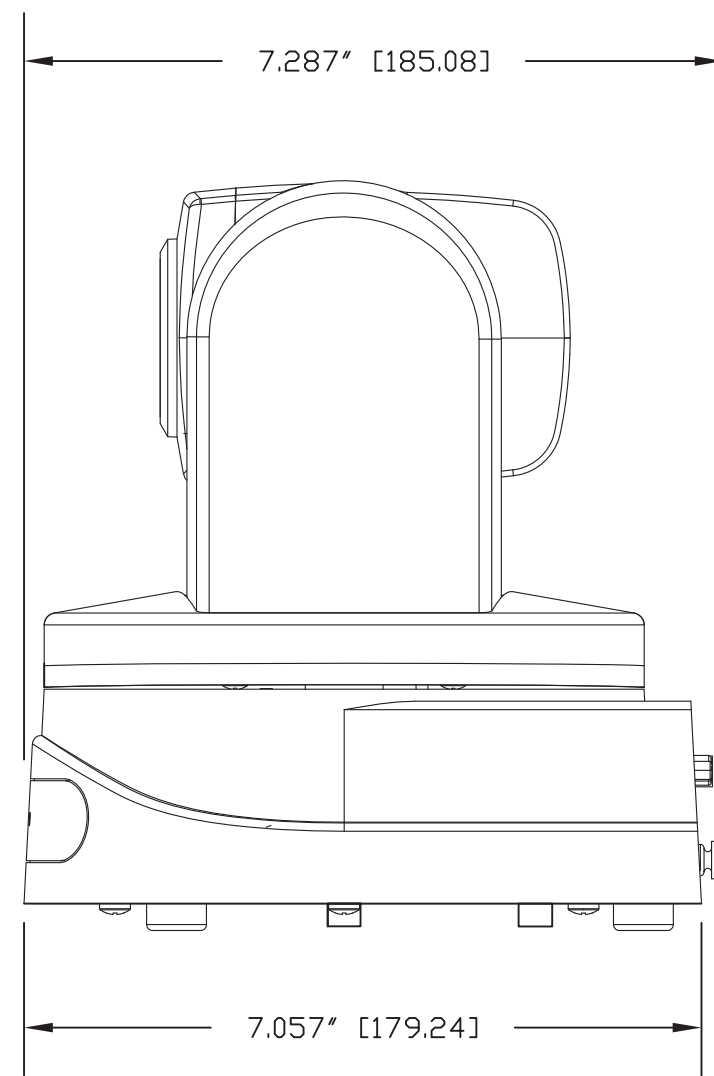
SIDE VIEW



6.000" [152.40]

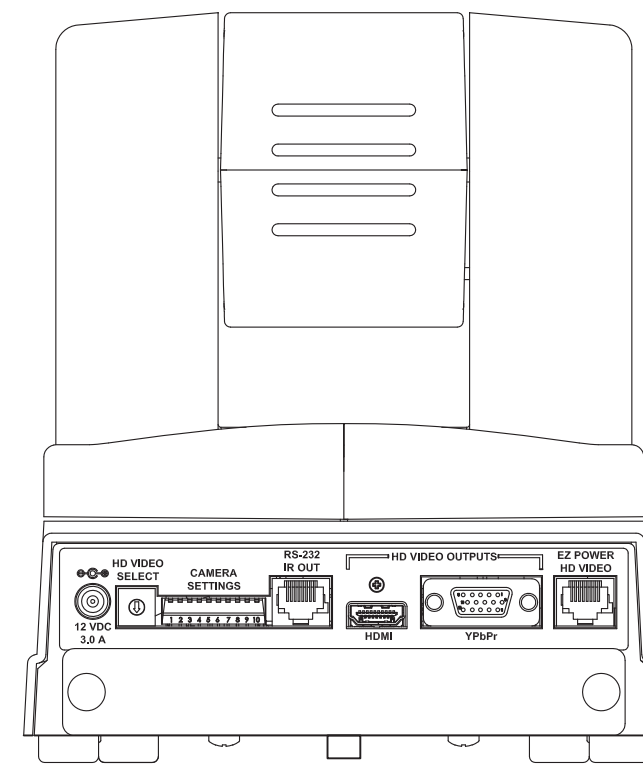
7.810" [198.37]

6.670" [169.42]

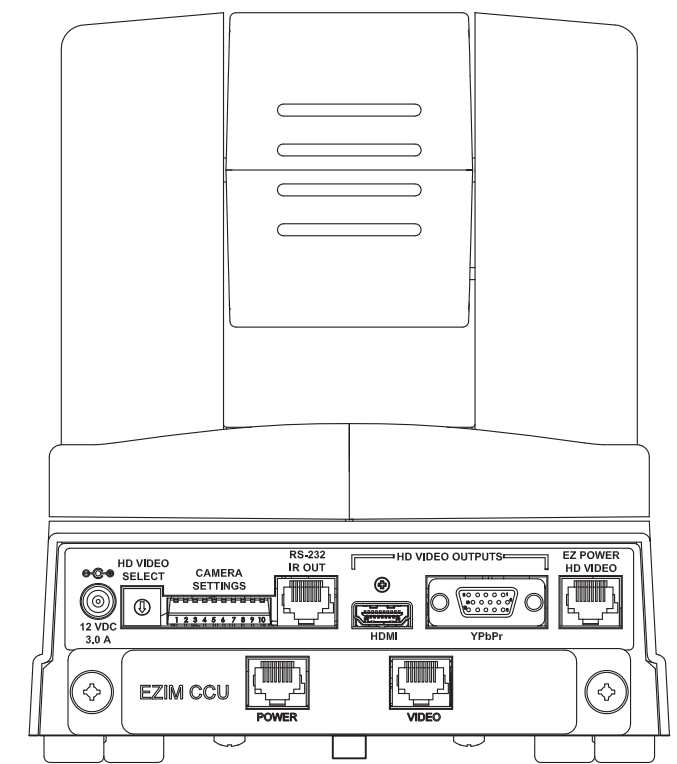


7.287" [185.08]

7.057" [179.24]

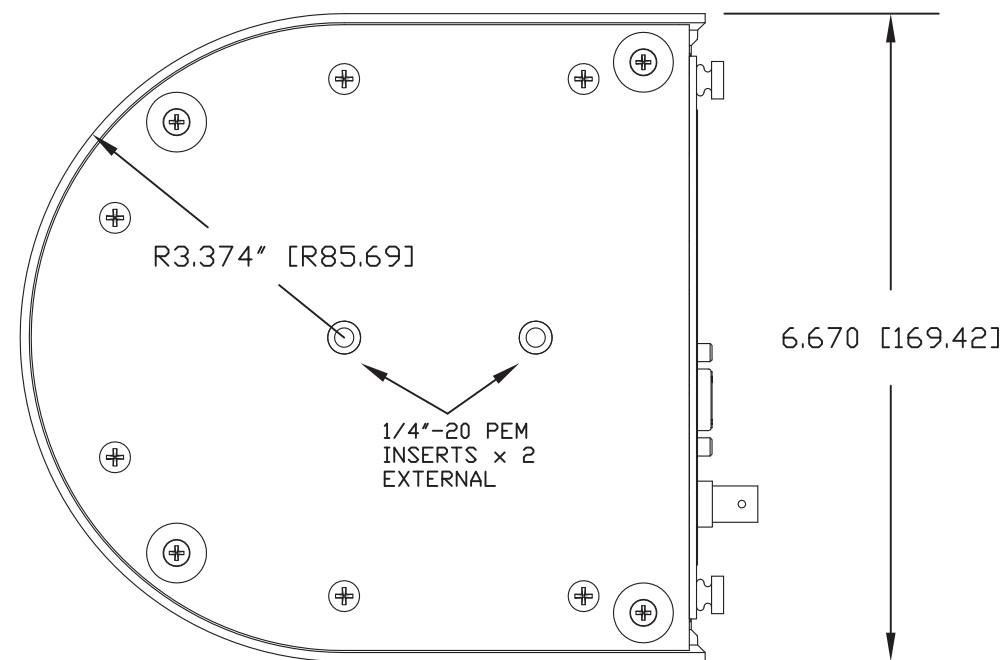


HD-22/30 - REAR VIEW NO SLOT CARD - COVER ONLY



HD-22/30 - REAR VIEW WITH EZIM CCU SLOT CARD

BOTTOM VIEW



R3.374" [R85.69]

6.670 [169.42]

1/4"-20 PEM
INSERTS x 2
EXTERNAL

		GENERAL NOTES: DIMENSIONS ARE IN INCHES (mm) UNLESS OTHERWISE NOTED. DO NOT DISTRIBUTE WITHOUT EXPRESS WRITTEN PERMISSION OF VADDIO. DUE TO OUR CONTINUING EFFORTS TO ENHANCE OUR PRODUCTS, WE RESERVE THE RIGHT TO CHANGE SPECIFICATIONS WITHOUT PRIOR NOTICE OR OBLIGATION.	
		VADDIO PowerVIEW HD-22/HD-30 PTZ CAMERA SYSTEM	
VADDIO PART NUMBERS		HD-22: 999-6960-000 / 999-6960-001 HD-30: 999-6970-000 / 999-6970-001	DATE
DRAWN RAR	CHECKED	APPROVED RAR	DATE 07/22/2013
THIS DRAWING, INCLUDING ALL SUBJECT MATTERS INDICATED THEREON OR DERIVED THEREFROM, COMPRISES PROPRIETARY INFORMATION AND IS THE EXPRESS PROPERTY OF VADDIO. All Rights Reserved - Copyright 2008			
MATERIALS VARIOUS - SEE BOM	SCALE 1:2	DRAWING No. 6960/70	REV REV A
FINISH PANTONE 427C - LIGHT GREY	SIZE C		