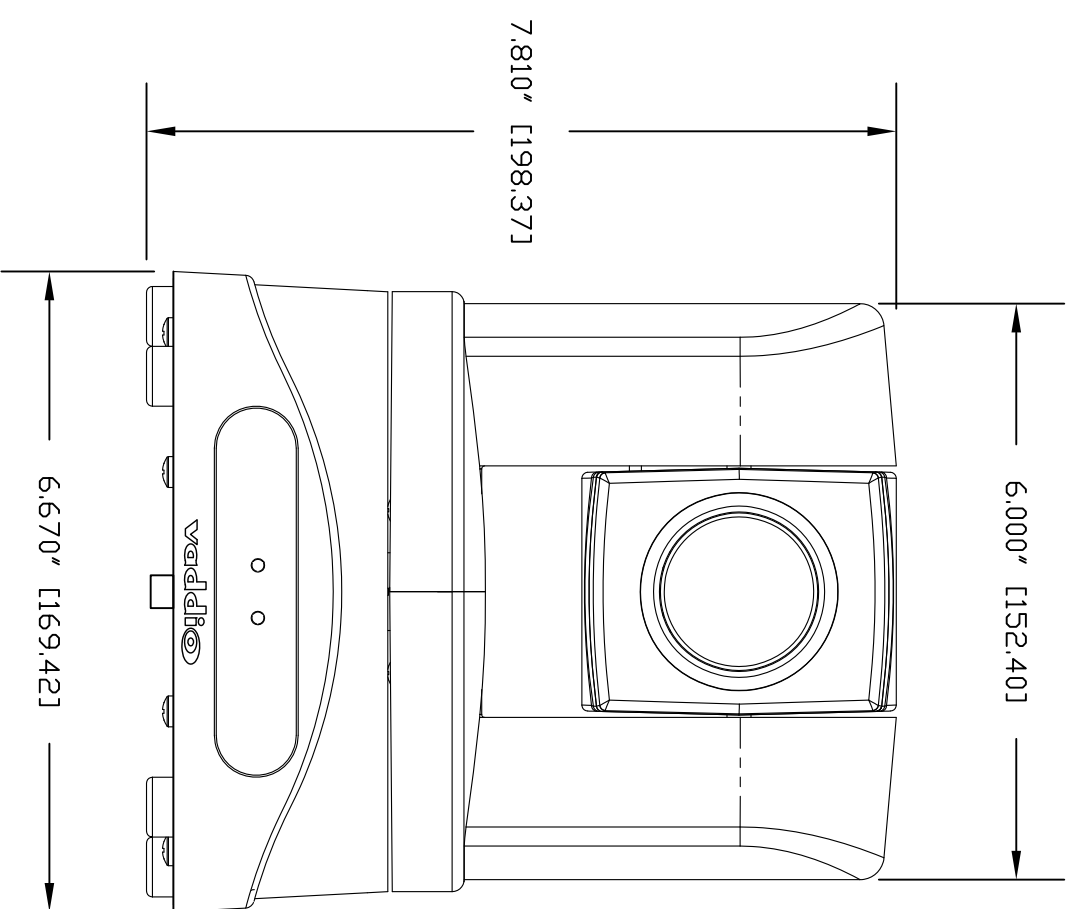
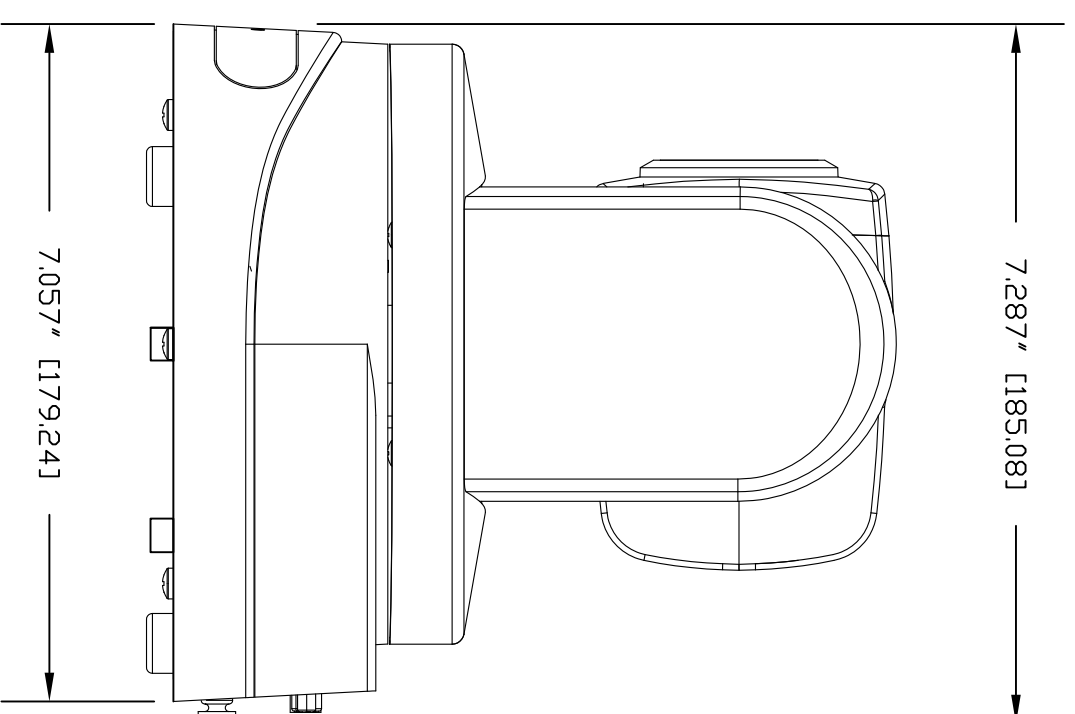


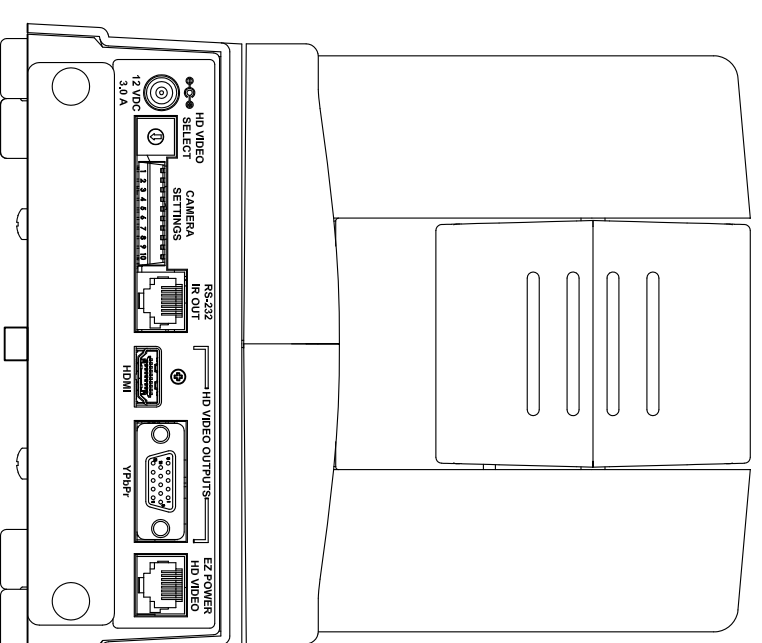
FRONT VIEW



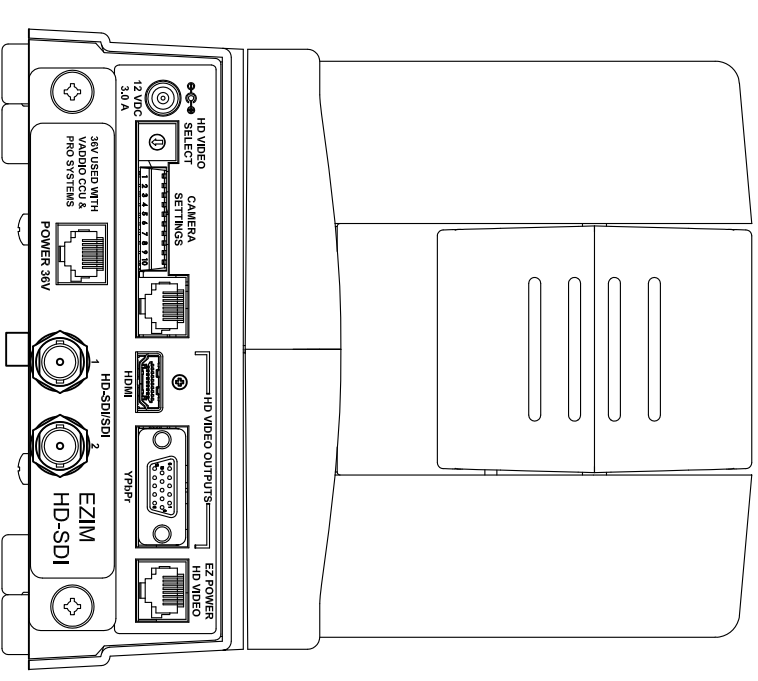
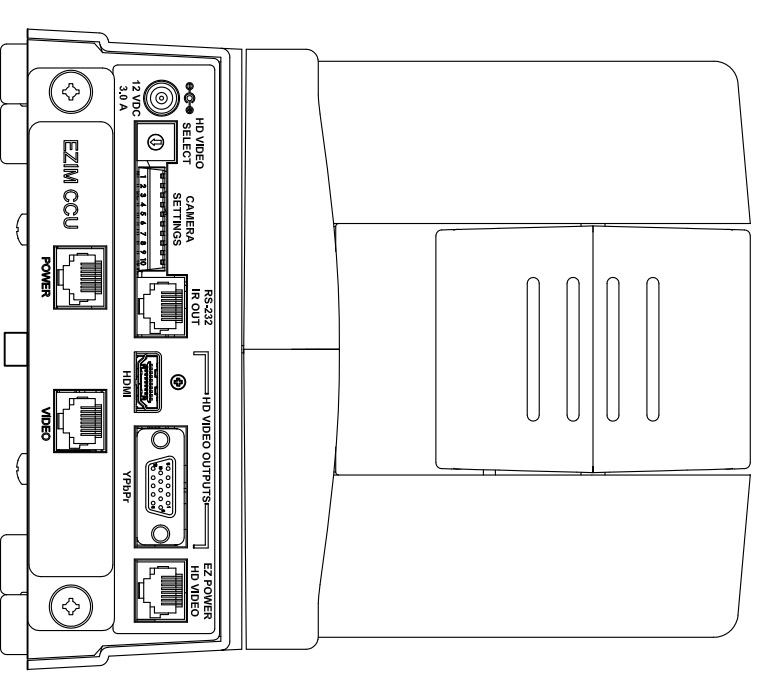
SIDE VIEW



REAR VIEW ND SLOT CARD - COVER ONLY

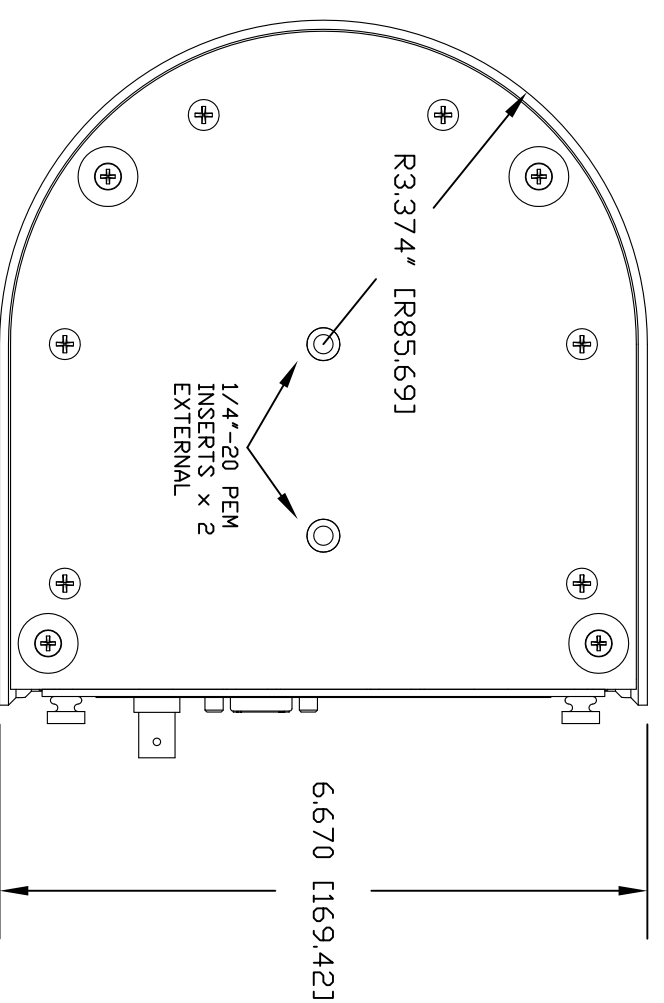


REAR VIEW WITH EZIM CCU SLOT CARD



REAR VIEW WITH HD-SDI SLOT CARD

BOTTOM VIEW



**vaddio**

VADDIO ClearView HD-20 PTZ CAMERA SYSTEM

VADDIO PART NUMBER 999-6950-000 / 999-6950-001

DRAWN VLF/RAR CHECKED APPROVED RAR DATE 02/11/2011

THIS DRAWING, INCLUDING ALL SUBJECT MATTERS INDICATED THEREON OR DERIVED THEREFROM, COMPRISES PROPRIETARY INFORMATION AND IS THE EXPRESS PROPERTY OF VADDIO. ALL RIGHTS RESERVED - Copyright 2008

FINISH CIGALUT 0399 BRUSH - BLACK MSF PC SCALE 1:2 DRAWING NO. 6950 REV A

GENERAL NOTES:  
DIMENSIONS ARE IN INCHES (mm) UNLESS OTHERWISE NOTED.  
DO NOT ALTER OR REPRODUCE WITHOUT EXPRESS WRITTEN PERMISSION.  
VADDIO PRODUCTS V.E. RESERVE THE RIGHT TO CHANGE SPECIFICATIONS WITHOUT PRIOR NOTICE OR OBLIGATION.