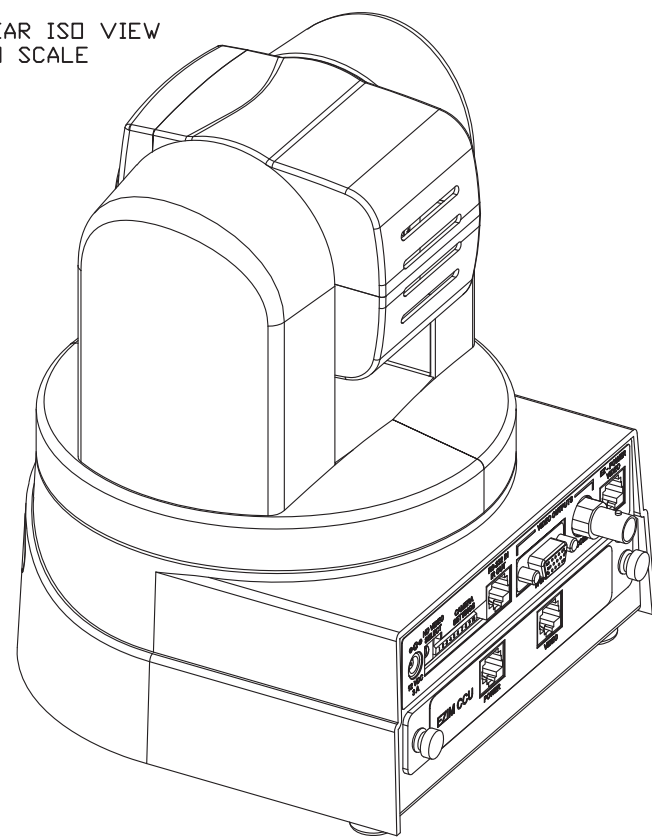
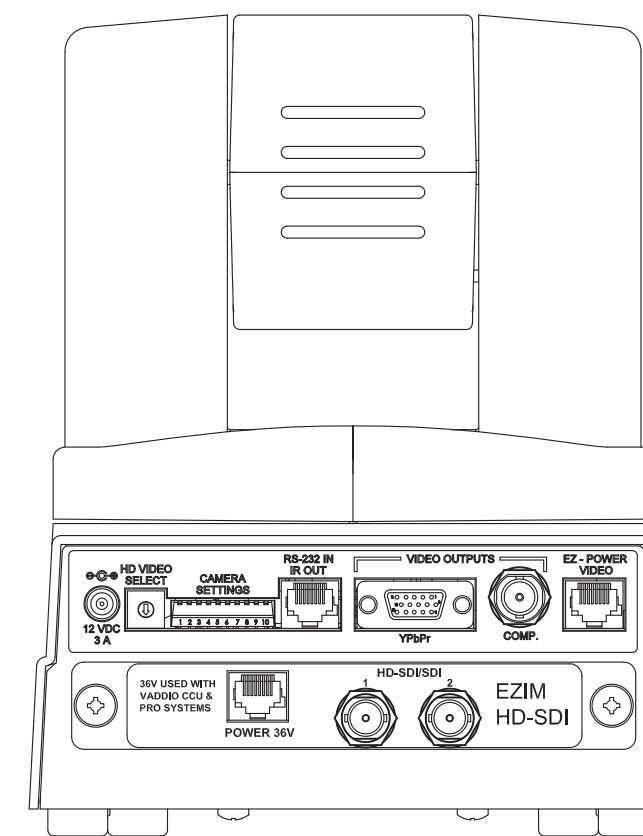
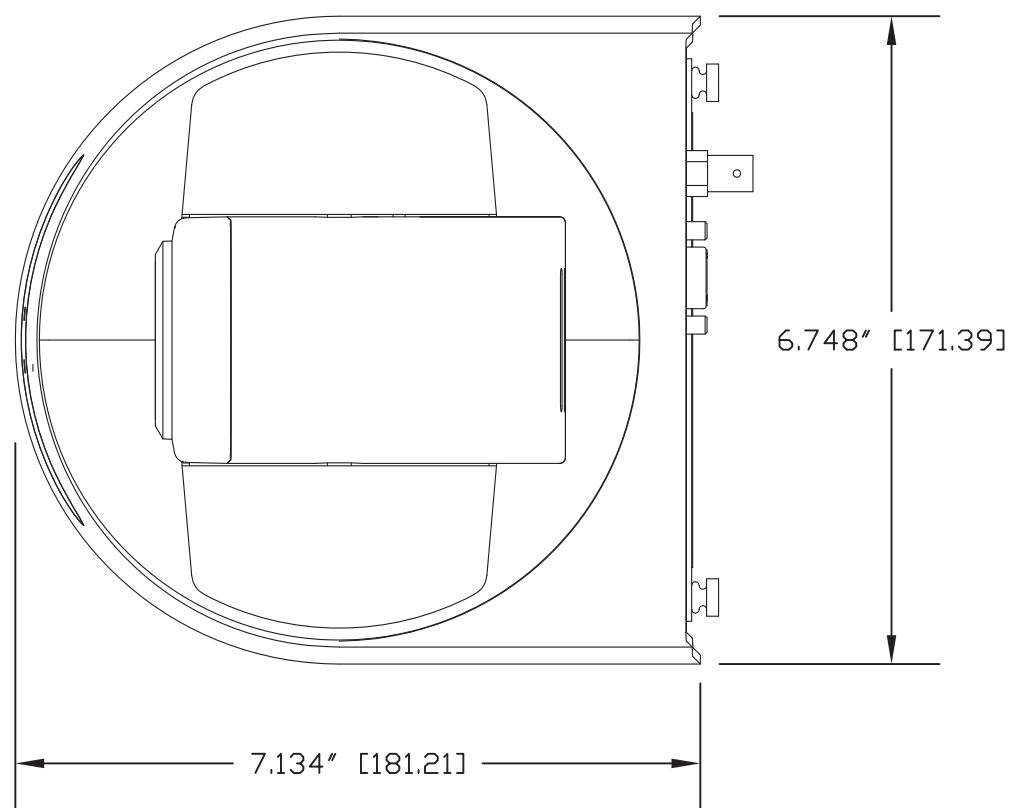


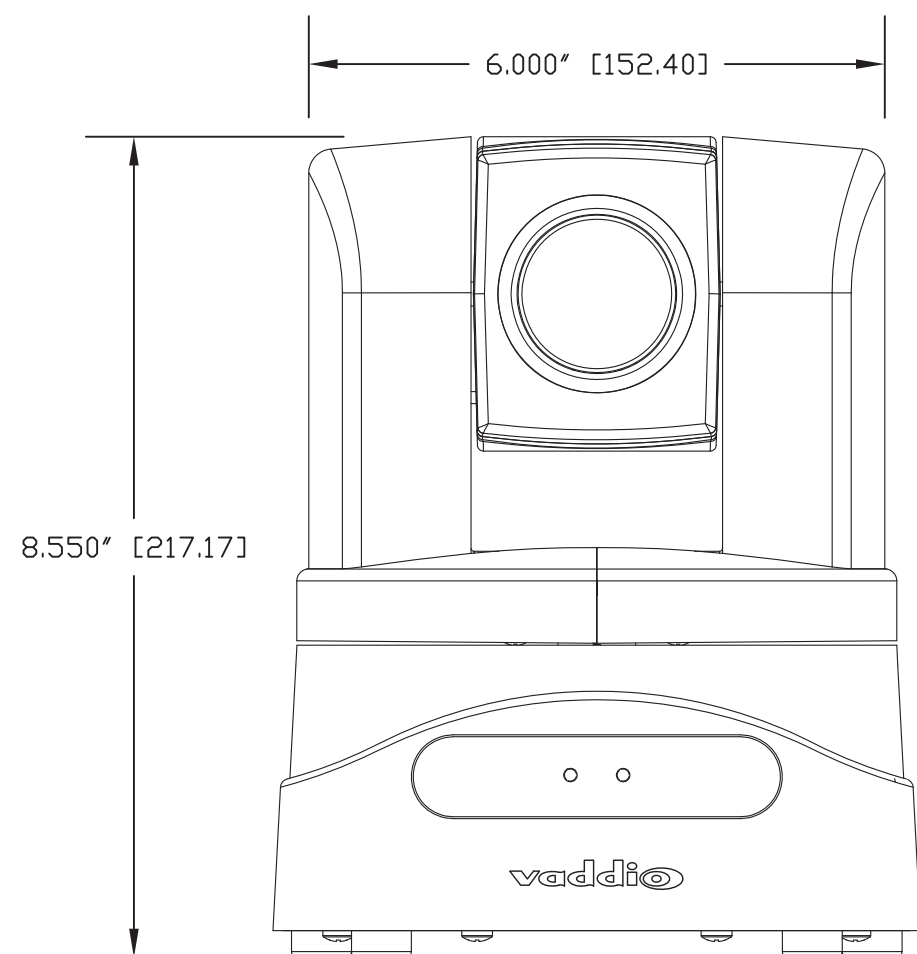
REAR ISO VIEW
NO SCALE



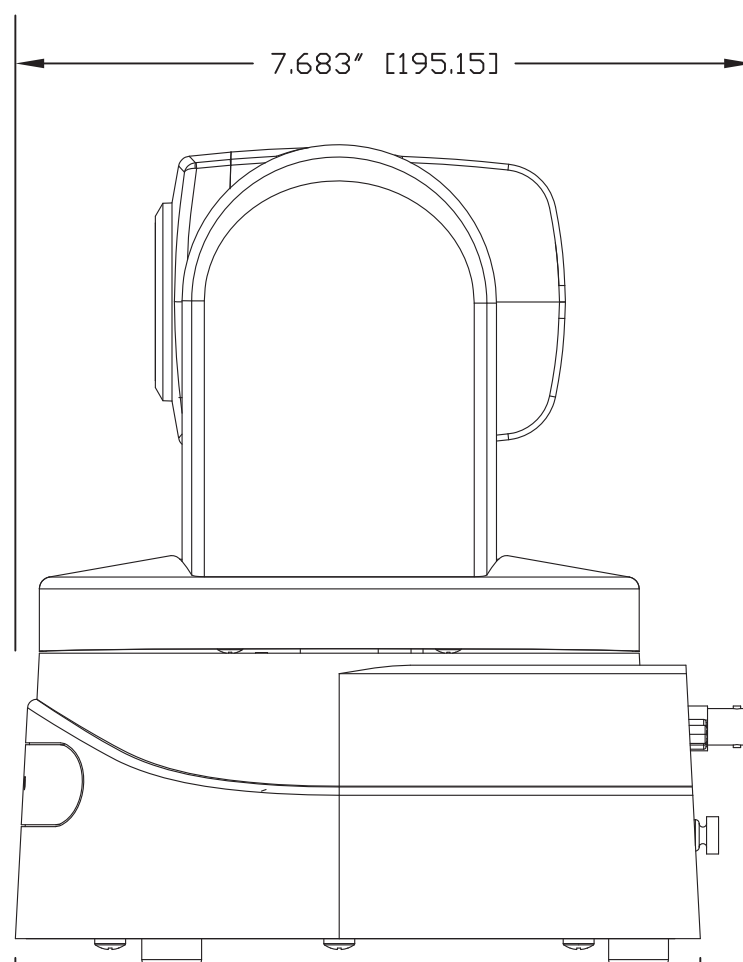
TOP VIEW



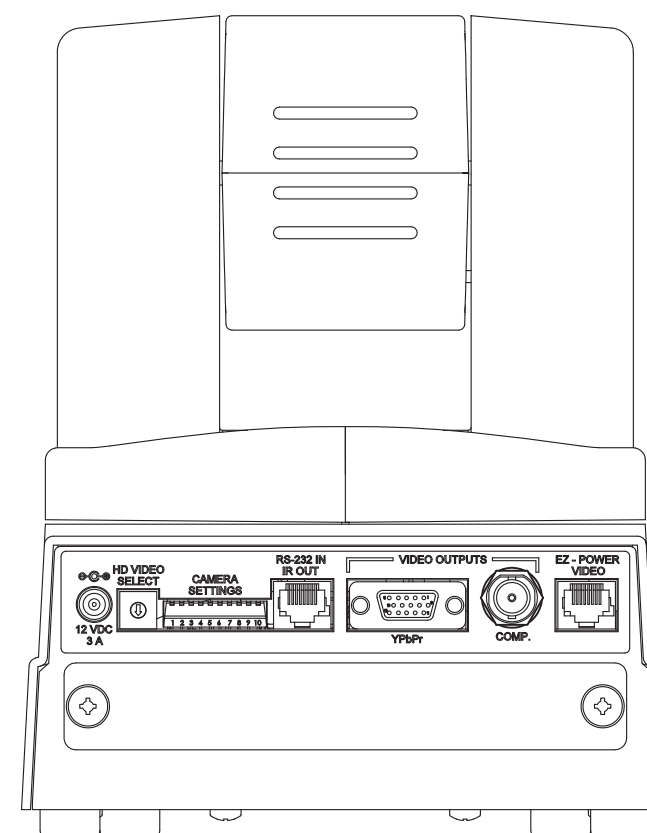
REAR VIEW WITH HD-SDI SLOT CARD



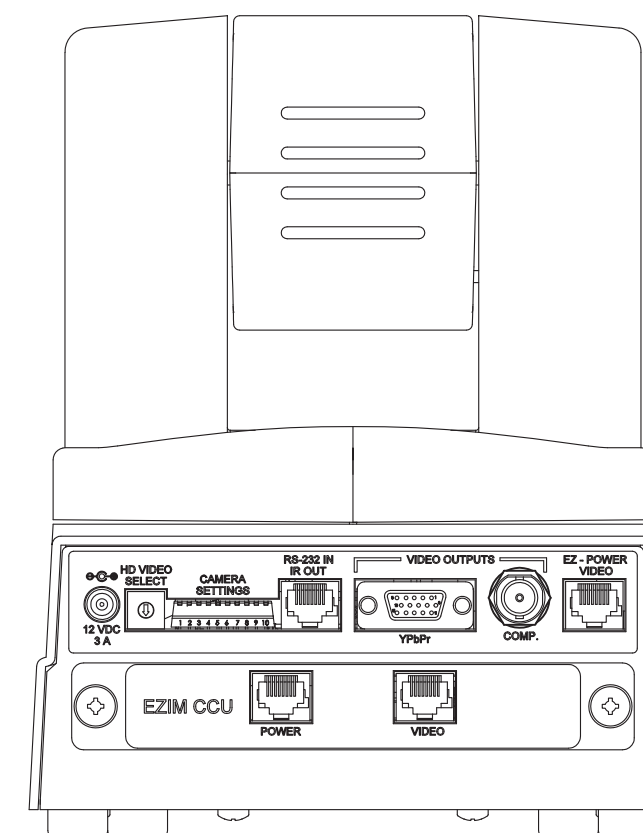
FRONT VIEW



SIDE VIEW

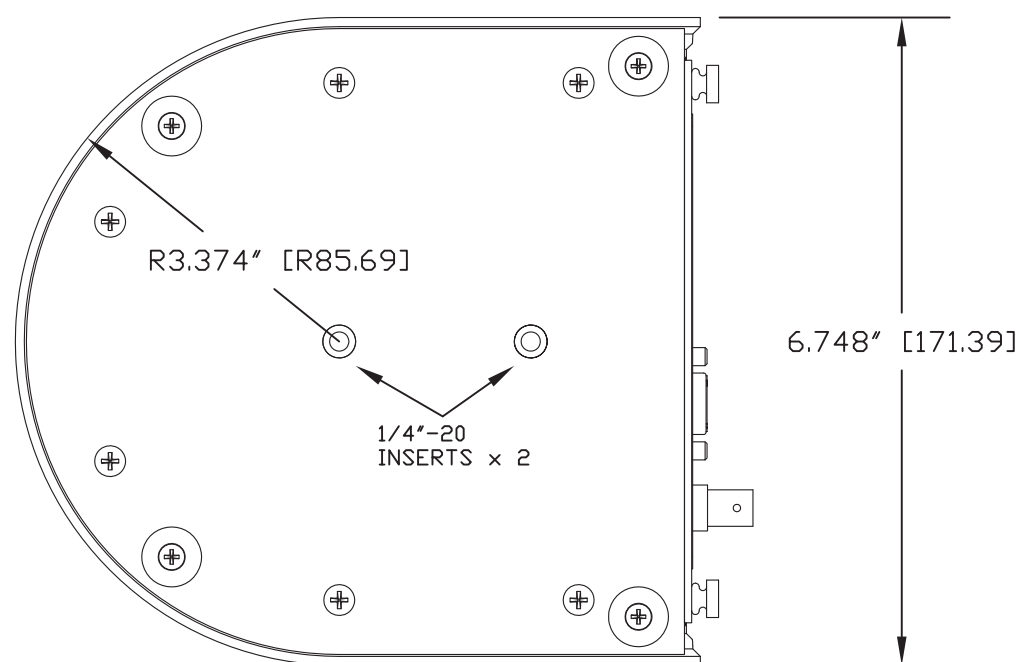


REAR VIEW NO SLOT CARD - COVER ONLY



REAR VIEW WITH EZIM CCU SLOT CARD

BOTTOM VIEW



		GENERAL NOTES: DIMENSIONS ARE IN INCHES (mm) UNLESS OTHERWISE NOTED. DO NOT DISTRIBUTE WITHOUT EXPRESS WRITTEN PERMISSION OF VADDIO. DUE TO OUR CONTINUING EFFORTS TO ENHANCE OUR PRODUCTS, WE RESERVE THE RIGHT TO CHANGE SPECIFICATIONS WITHOUT PRIOR NOTICE OR OBLIGATION.	
VADDIO ClearVIEW HD-18 PTZ CAMERA SYSTEM			
VADDIO PART NUMBER 999-6900-000 / 999-6900-001			
DRAWN	CHECKED	APPROVED	DATE
WLF/RAR		RAR	6/5/2009
THIS DRAWING, INCLUDING ALL SUBJECT MATTERS INDICATED THEREON OR DERIVED THEREFROM, COMPRISES PROPRIETARY INFORMATION AND IS THE EXPRESS PROPERTY OF VADDIO. All Rights Reserved - Copyright 2009			
MATERIALS	SCALE	DRAWING No.	REV
VARIOUS - SEE BOM	1:2	6900	REVA
FINISH BLACK ABS PC or WHITE ABS PC	SIZE C		