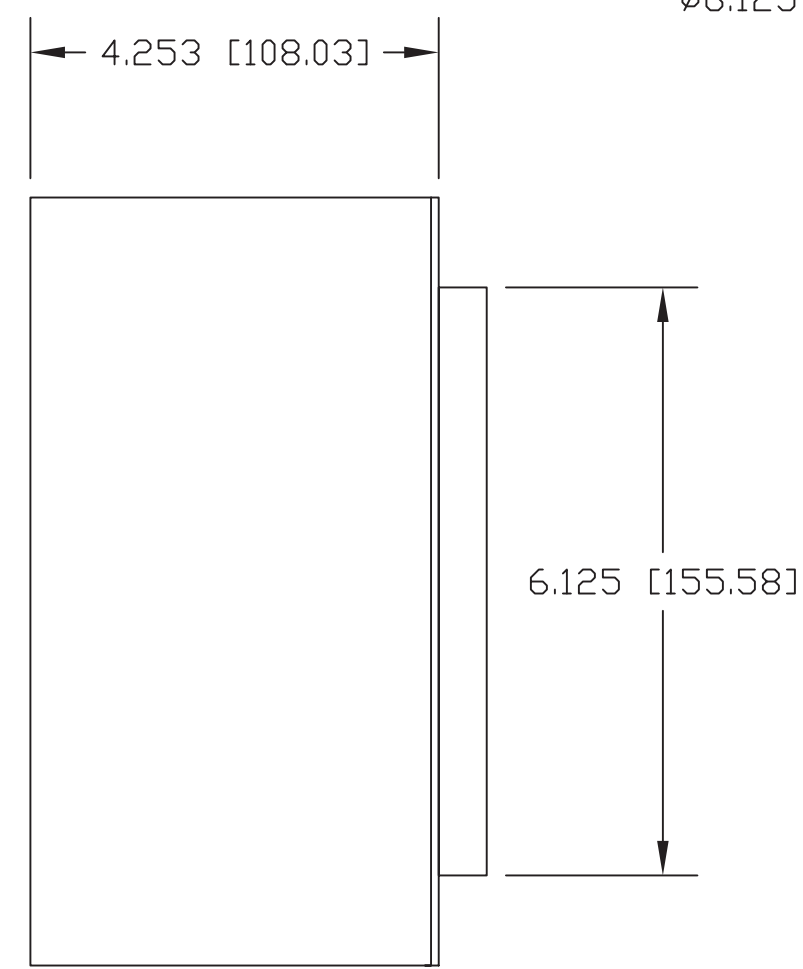
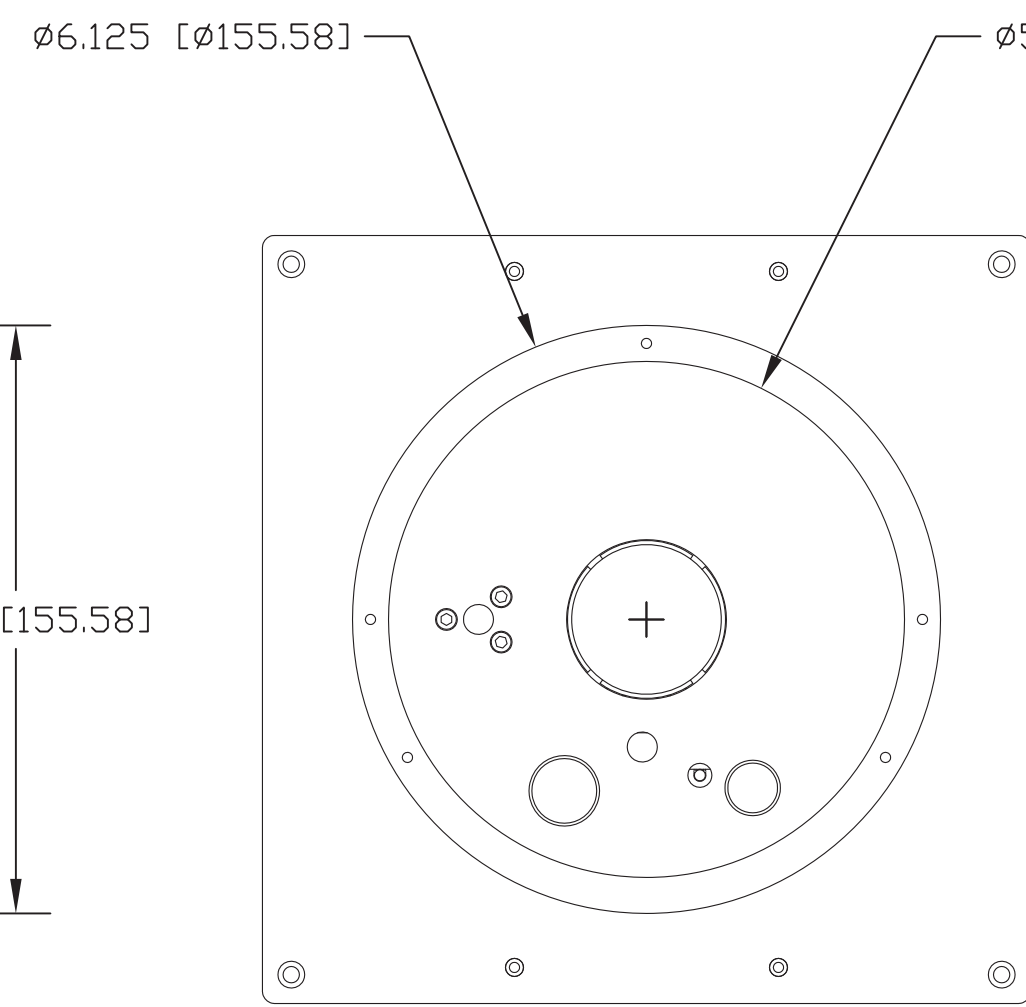


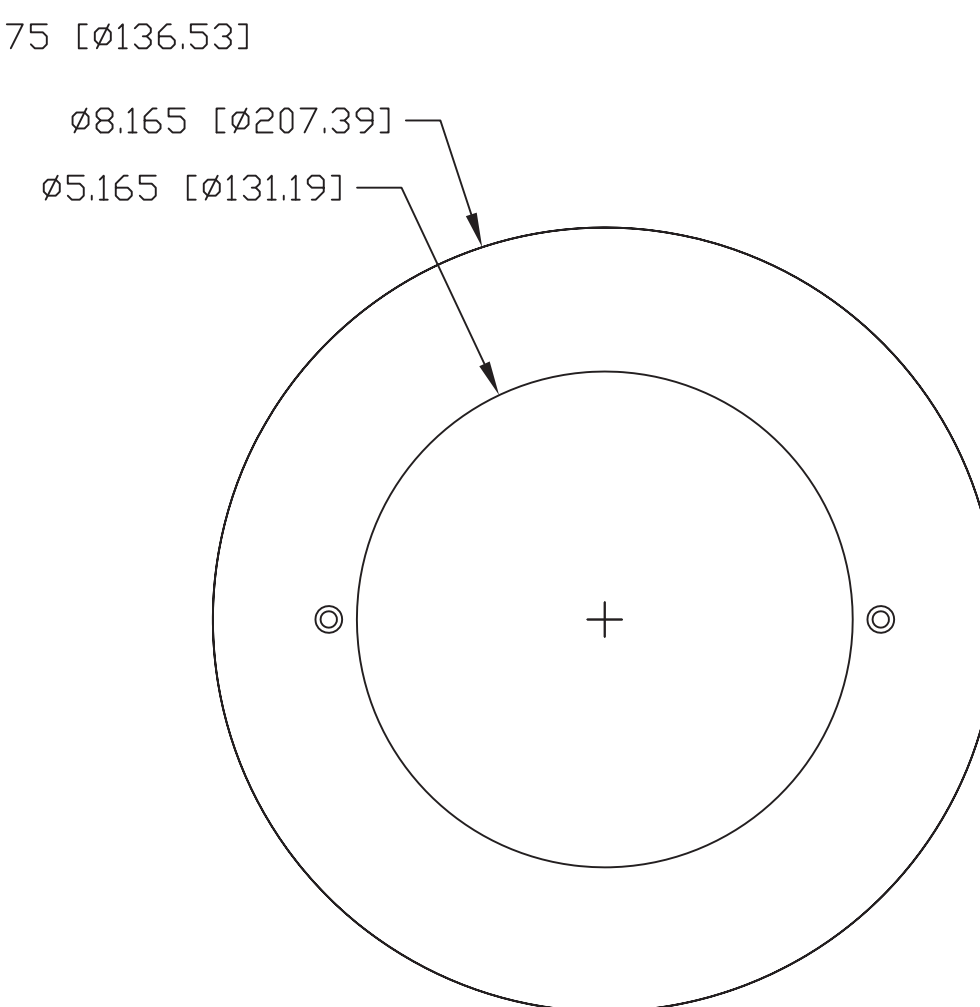
REAR VIEW



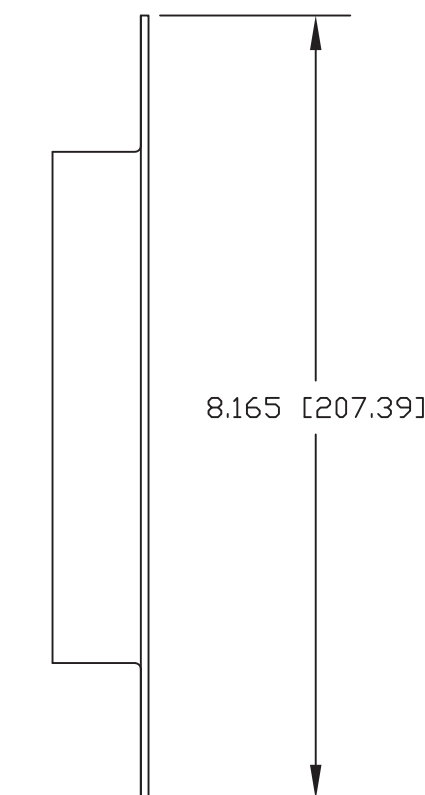
SIDE VIEW



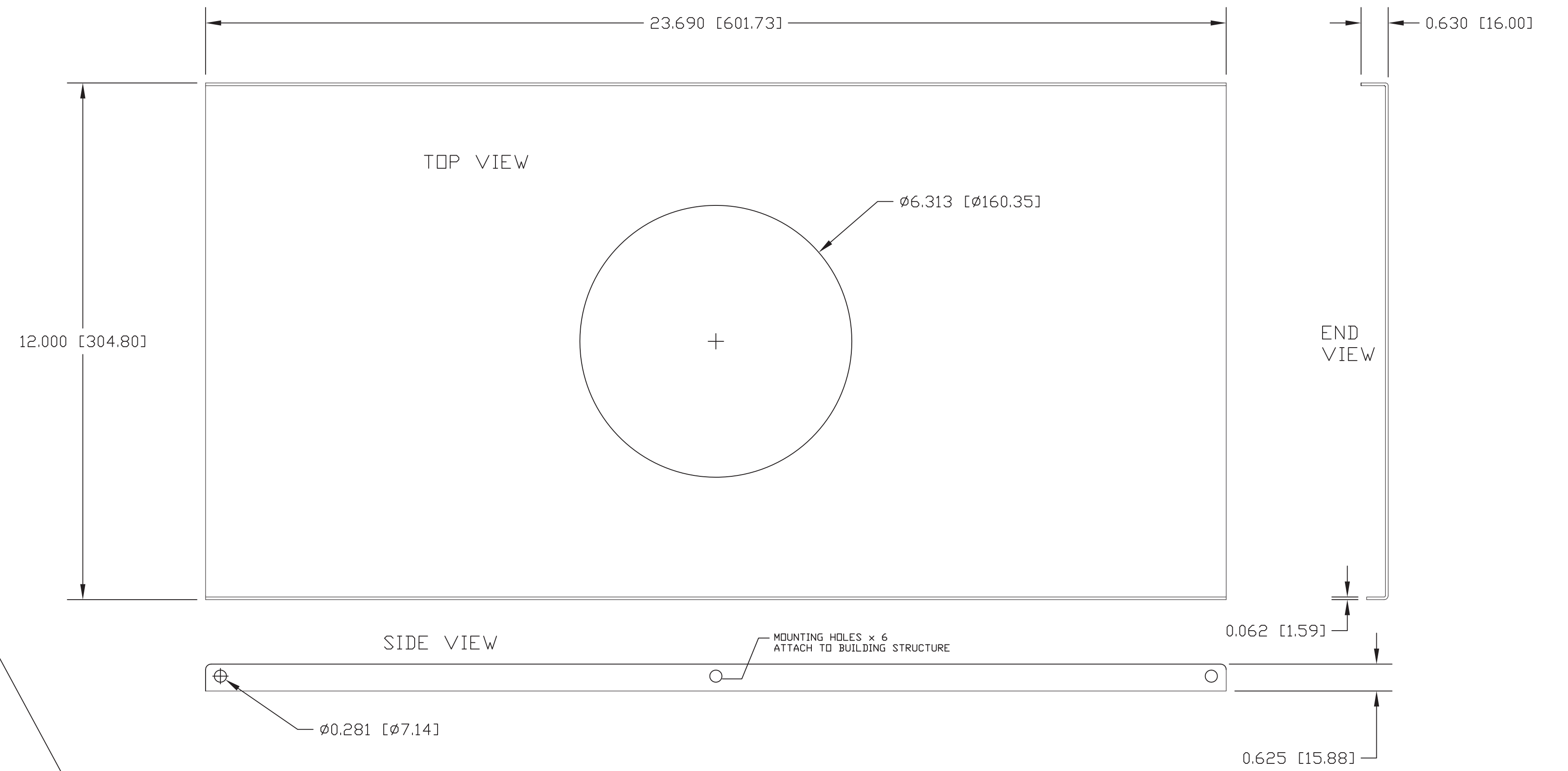
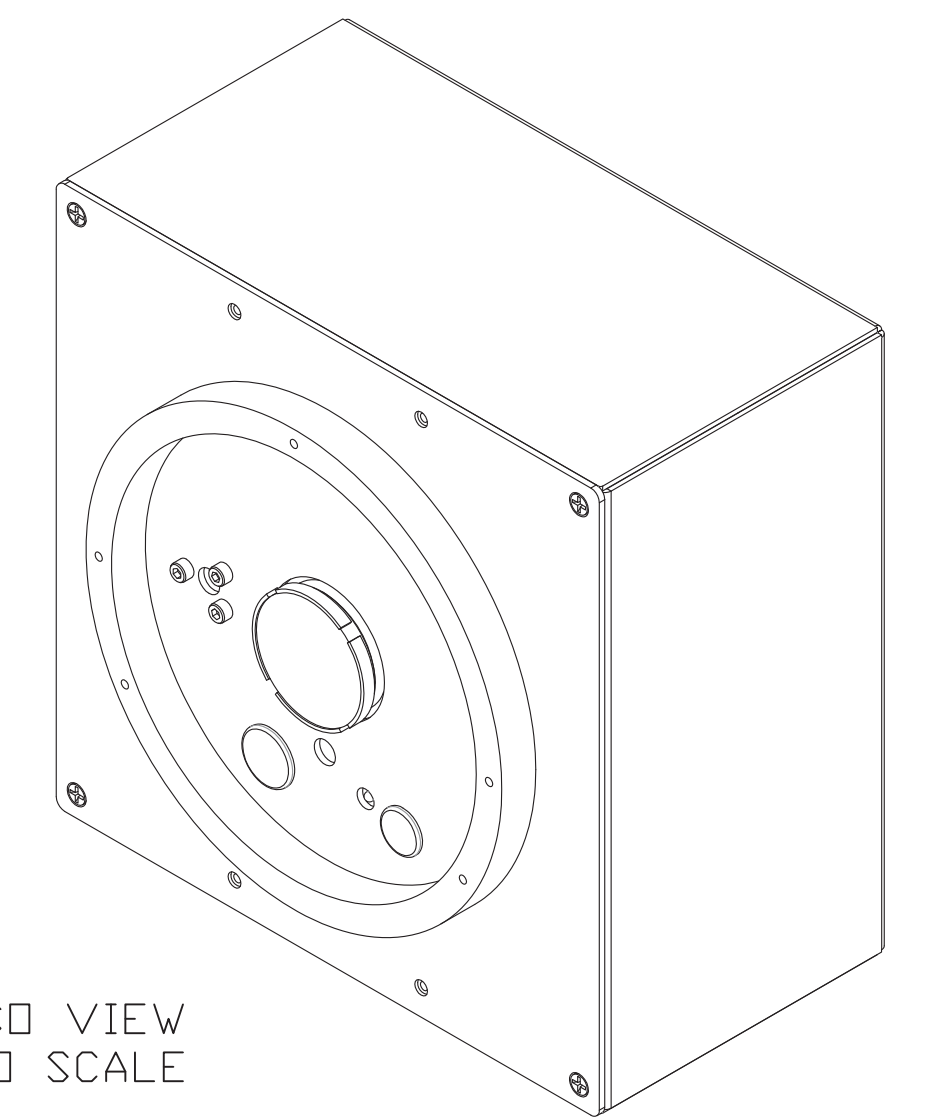
FRONT VIEW



TRIM RING  
TOP VIEW

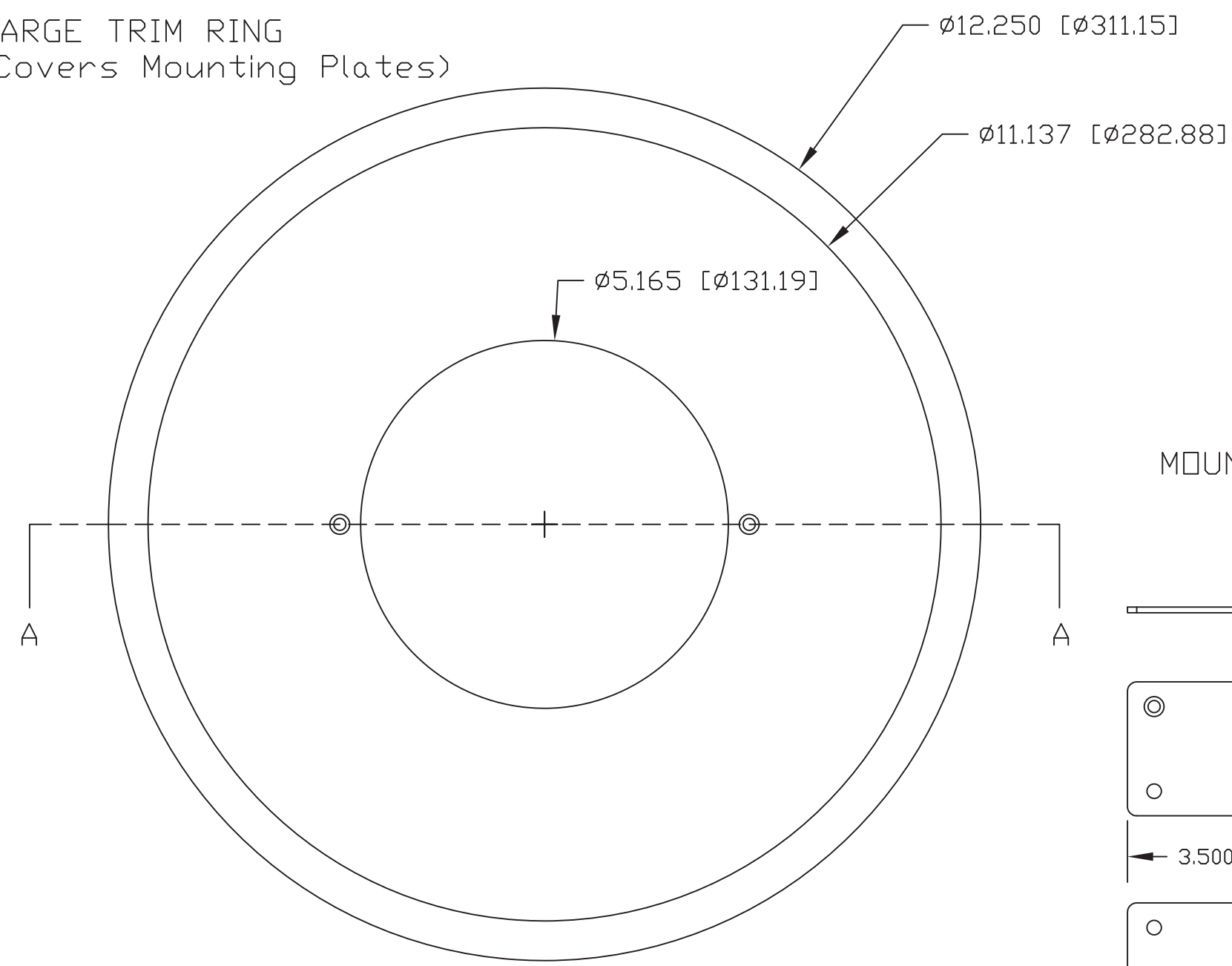


TRIM RING  
SIDE VIEW

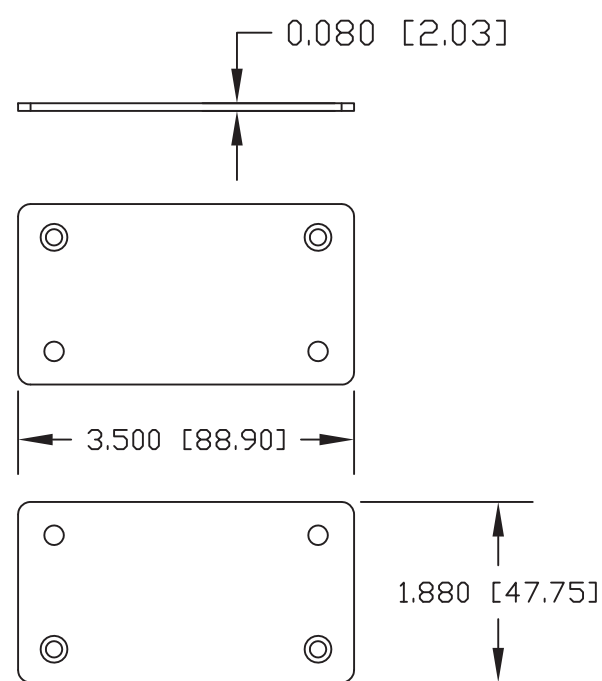


BONUS: OPTIONAL CEILING INSTALLATION KIT FOR THE CeilingVIEW HD-18 DocCAM

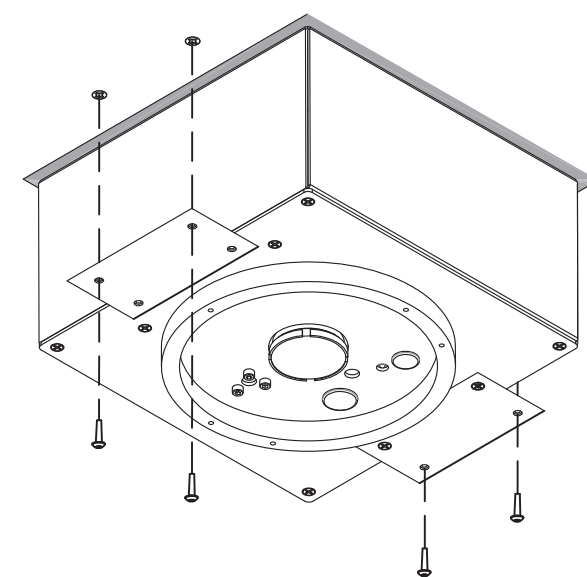
LARGE TRIM RING  
(Covers Mounting Plates)



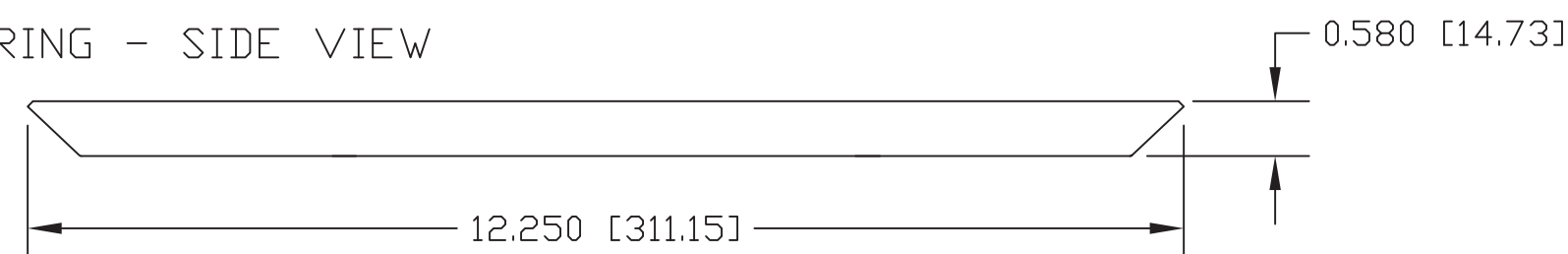
MOUNTING PLATES



ISO VIEW  
NO SCALE



TRIM RING - SIDE VIEW



<b>vaddio</b>		GENERAL NOTES: DIMENSIONS ARE IN INCHES (mm) UNLESS OTHERWISE NOTED. DO NOT DISTRIBUTE WITHOUT EXPRESS WRITTEN PERMISSION OF VADDIO. DUE TO OUR CONTINUING EFFORTS TO ENHANCE OUR PRODUCTS, WE RESERVE THE RIGHT TO CHANGE SPECIFICATIONS WITHOUT PRIOR NOTICE OR OBLIGATION.	
CeilingVIEW HD-18 DocCAM			
Vaddio PART NUMBERS: 999-3018-000 North America, 999-3018-001 Int'l			
DRAWN	CHECKED	APPROVED	DATE
RAR		RAR	06/26/2012
THIS DRAWING, INCLUDING ALL SUBJECT MATTERS INDICATED THEREON OR DERIVED THEREFROM, COMPRISES PROPRIETARY INFORMATION AND IS THE EXPRESS PROPERTY OF VADDIO. All Rights Reserved - Copyright 2008			
MATERIALS	SCALE	DRAWING No.	REV
CRS AND ALUMINUM - MULTIPLE GAUGES	1:2	3108-000	Rev A
FINISH	SIZE		
WHITE & BLACK POWDERCOAT 20% GLOSS	D		