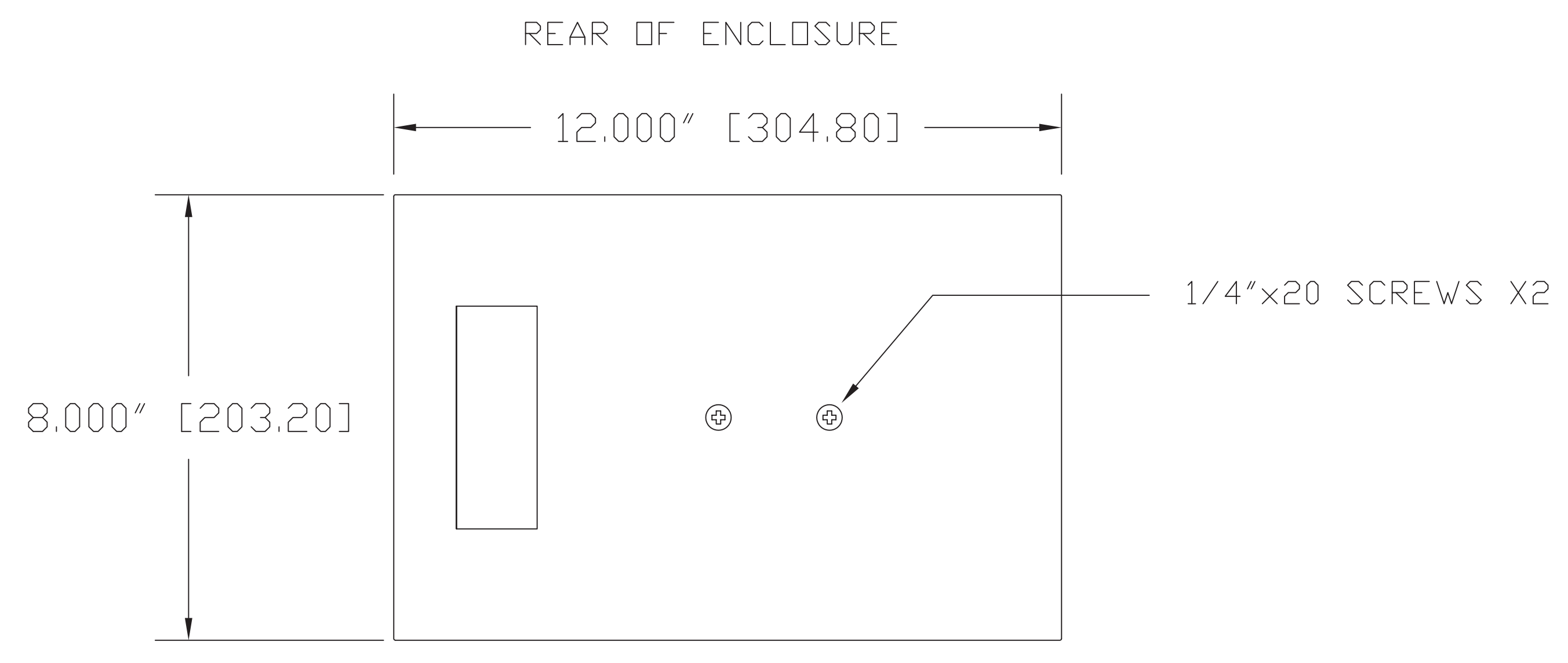
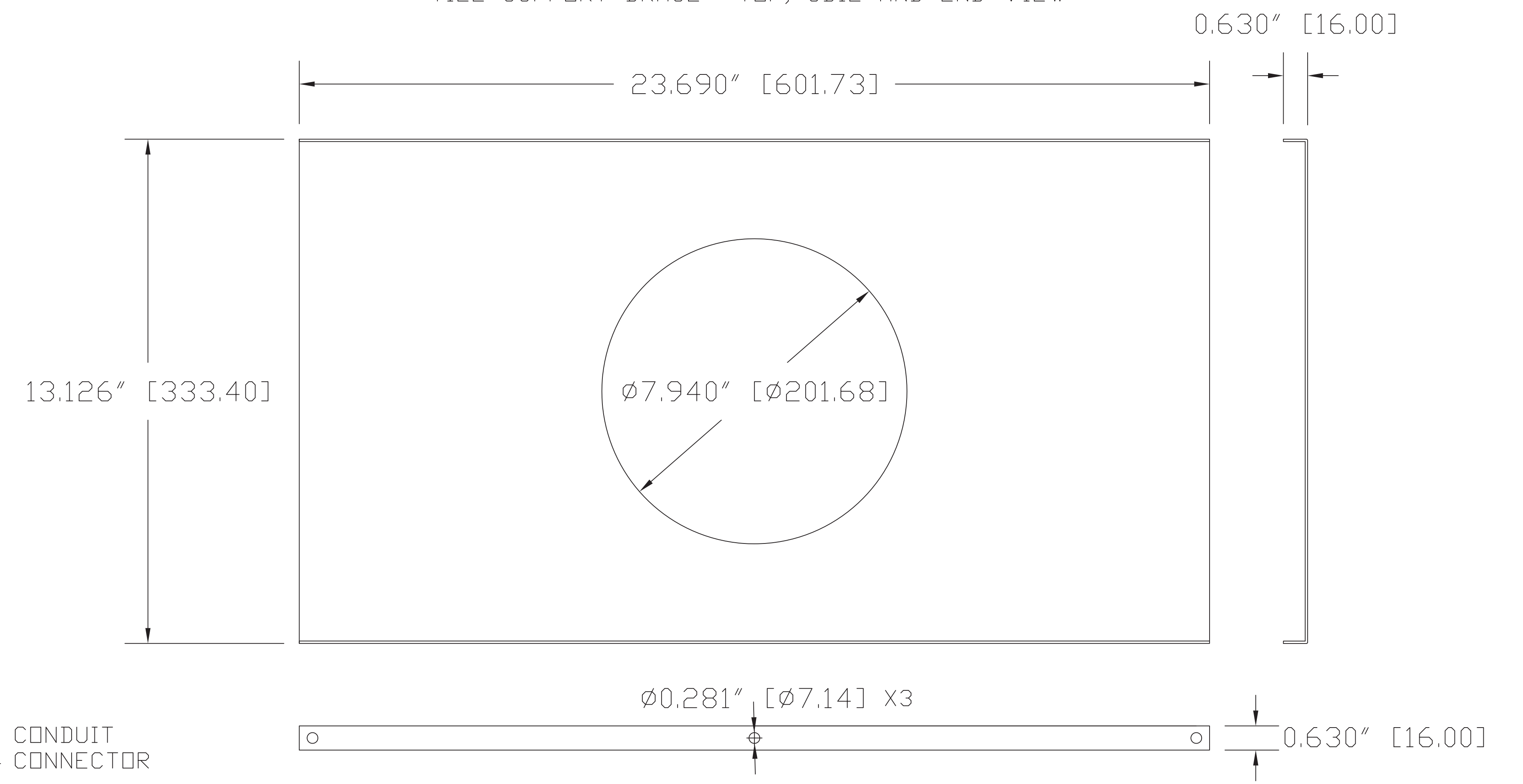
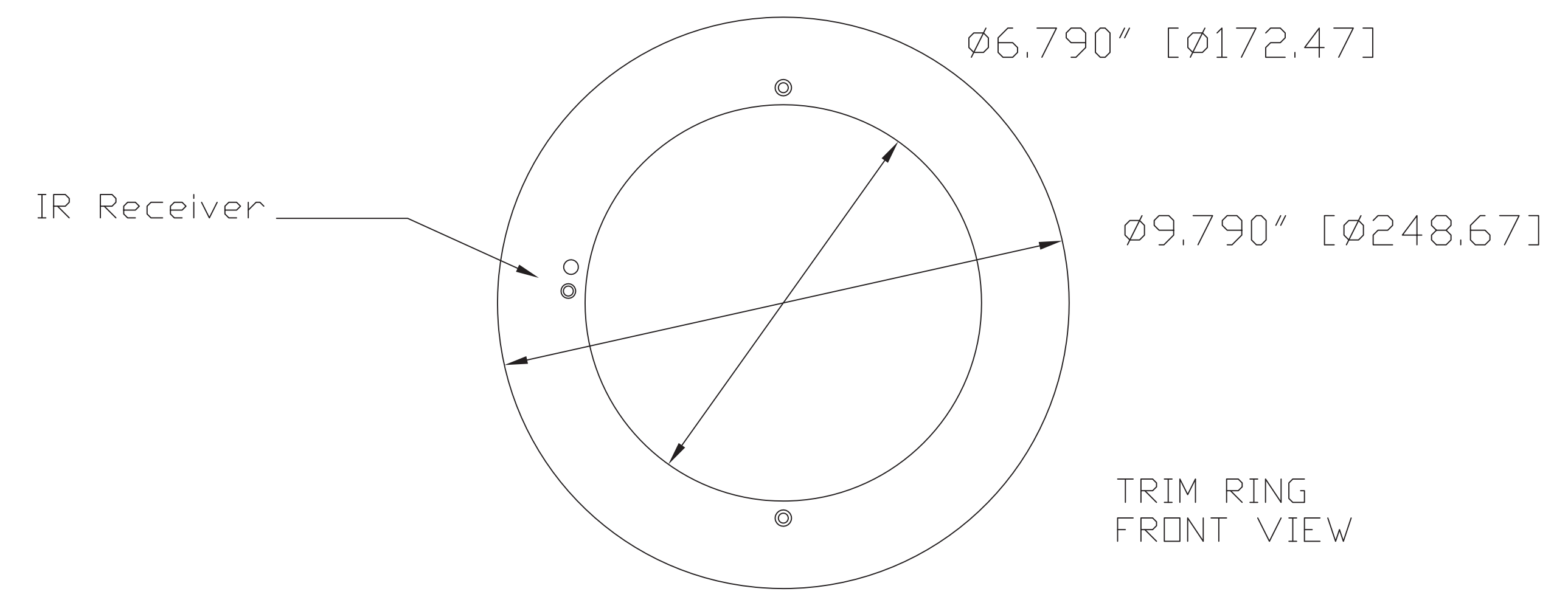
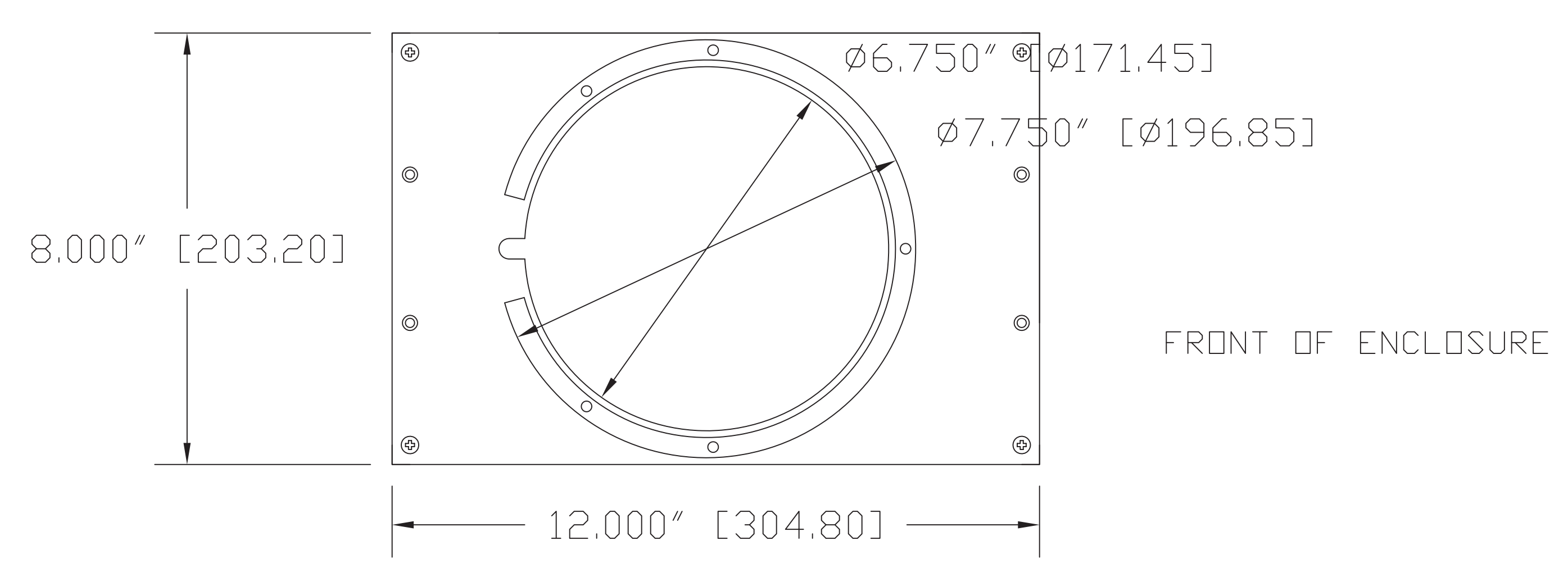
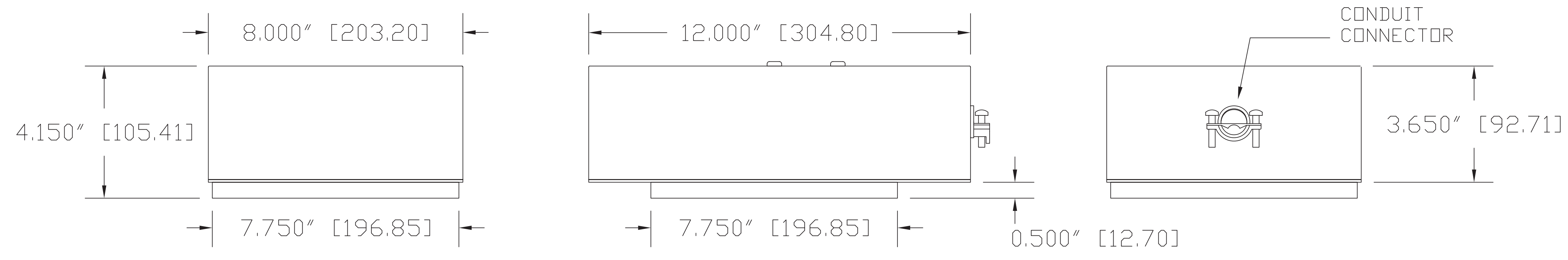


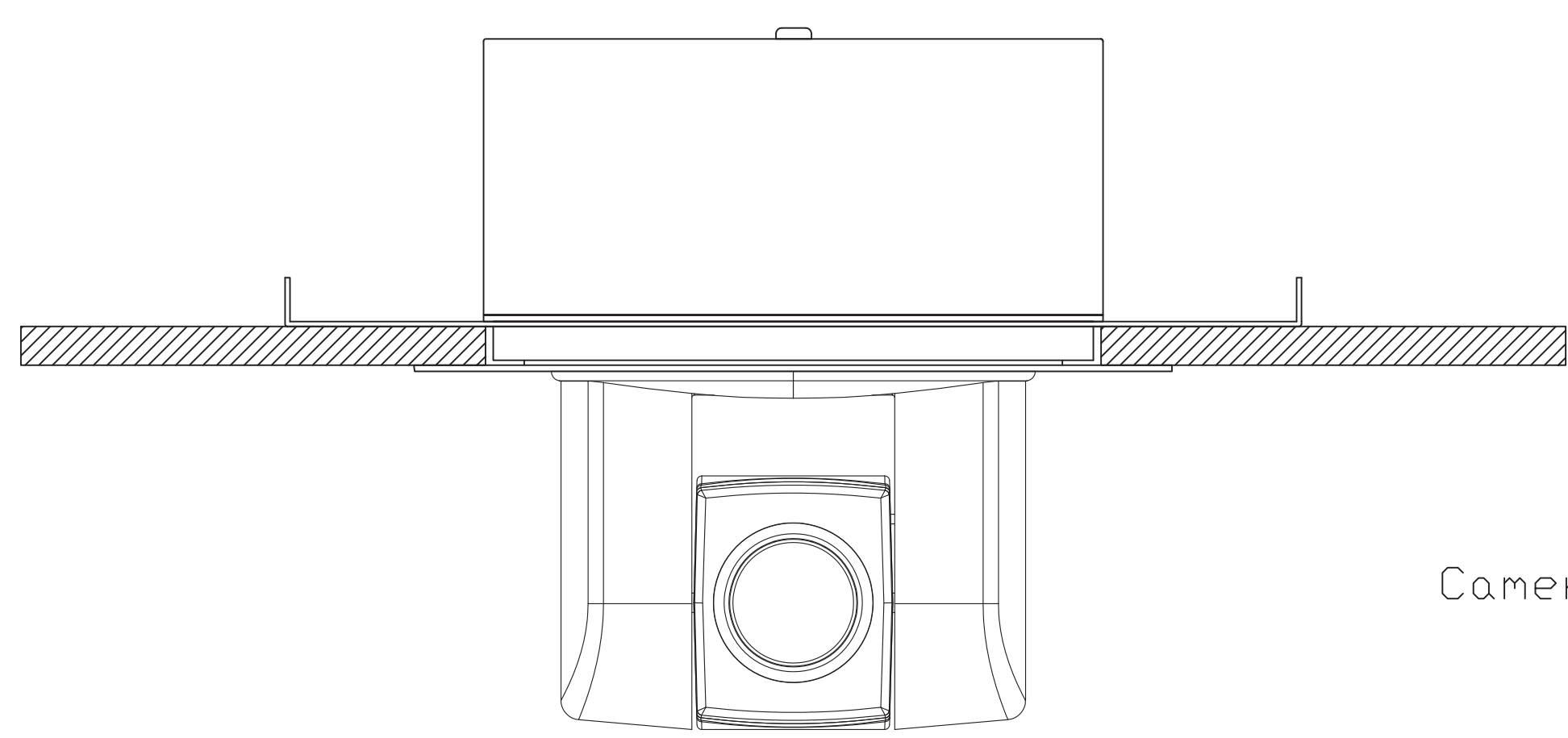
TILE SUPPORT BRACE: TOP, SIDE AND END VIEW



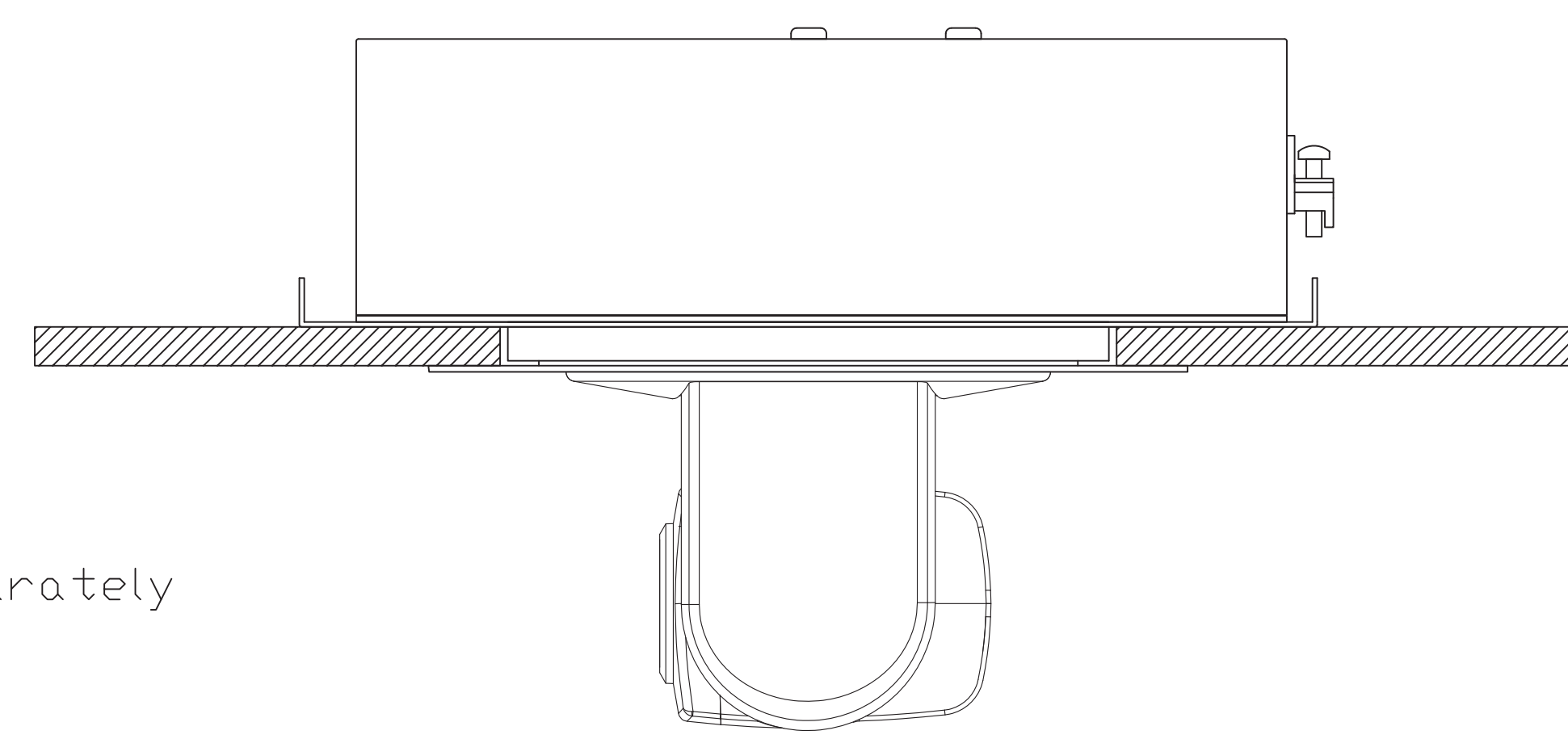
ENCLOSURE: SIDE and END VIEWS



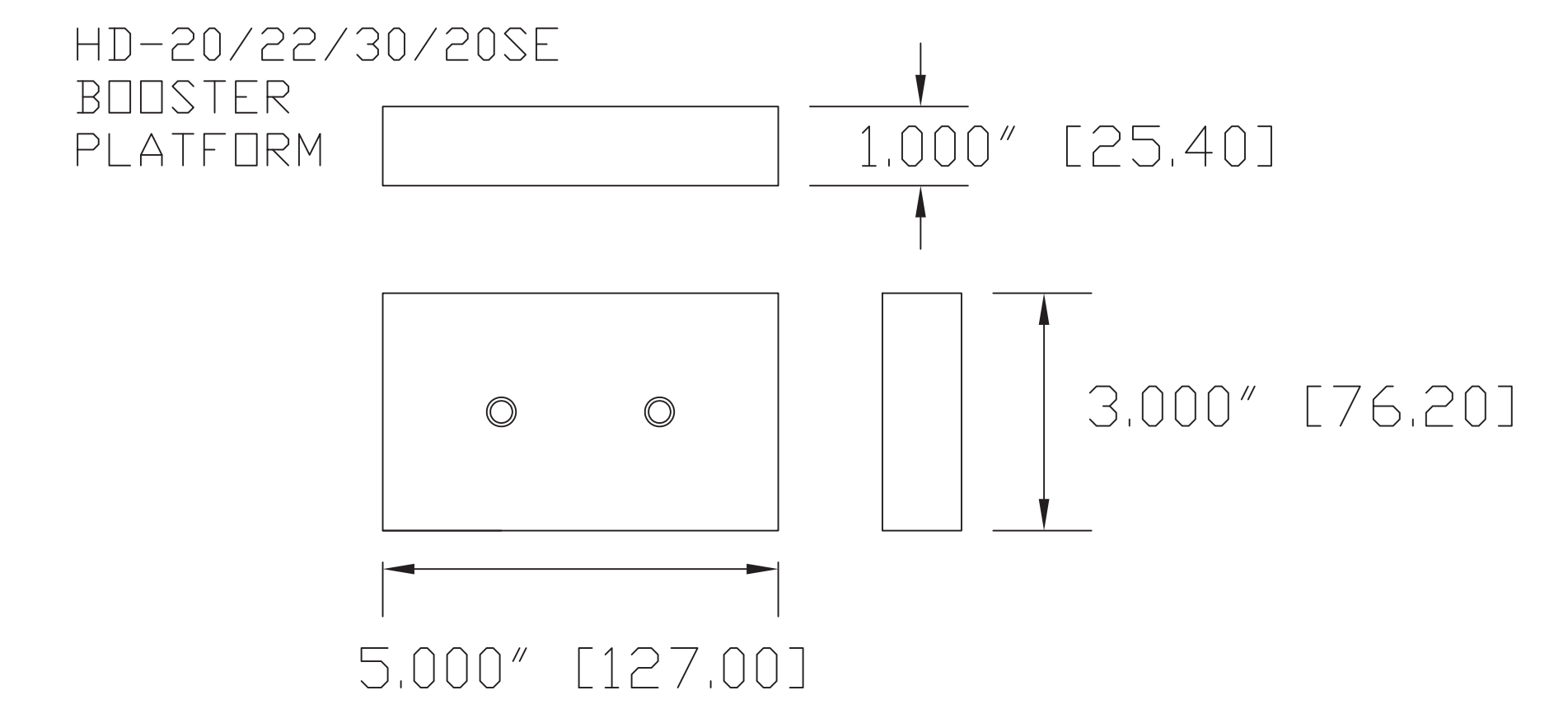
CAMERA, TRIM RING TILEBRACE AND ENCLOSURE - FRONT VIEW



CAMERA, TRIM RING TILEBRACE AND ENCLOSURE - SIDE VIEW



Cameras Sold Separately



vaddio		GENERAL NOTES: DIMENSIONS ARE IN INCHES (mm) UNLESS OTHERWISE NOTED. DO NOT DISTRIBUTE WITHOUT EXPRESS WRITTEN PERMISSION OF VADDIO. DUE TO OUR CONTINUING EFFORTS TO ENHANCE OUR PRODUCTS, WE RESERVE THE RIGHT TO CHANGE SPECIFICATIONS WITHOUT PRIOR NOTICE OR OBLIGATION.	
VADDIO IN-Ceiling Half-Recessed Enclosure			
VADDIO PART NUMBER 999-2225-050 with IR Repeater Circuit			
DRAWN RAR	CHECKED	APPROVED RAR	DATE 04/25/2011
THIS DRAWING, INCLUDING ALL SUBJECT MATTERS INDICATED THEREON OR DERIVED THEREFROM, COMPRISES PROPRIETARY INFORMATION AND IS THE EXPRESS PROPERTY OF VADDIO. All Rights Reserved - Copyright 2008			
MATERIALS VARIOUS - SEE BOM	SCALE 1:2	DRAWING No. 2225-050	REV REV A
FINISH CRS - Multiple Gauge	SIZE E		