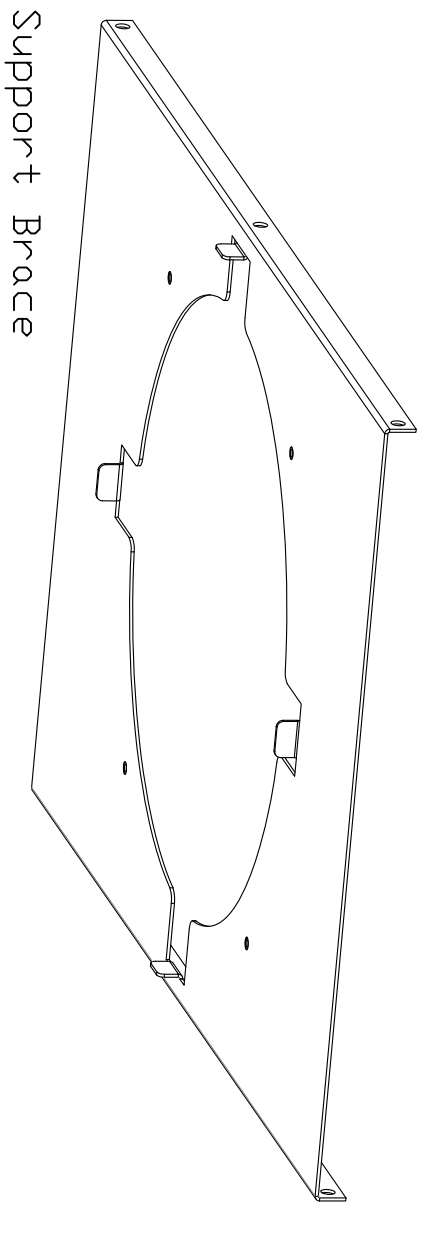
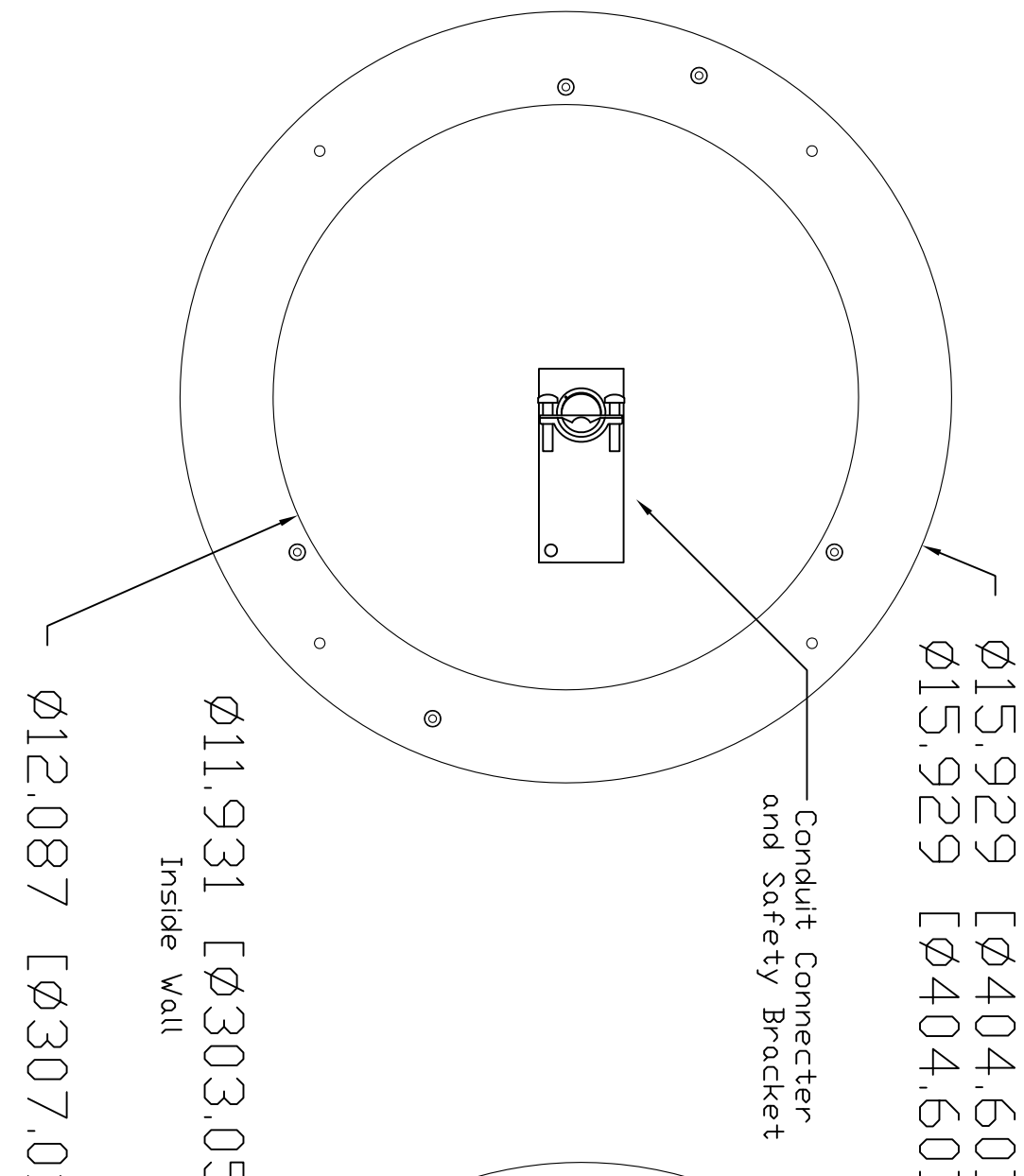


DomeVIEW HD Indoor Flush Mount Dome - Explosion (no scale)

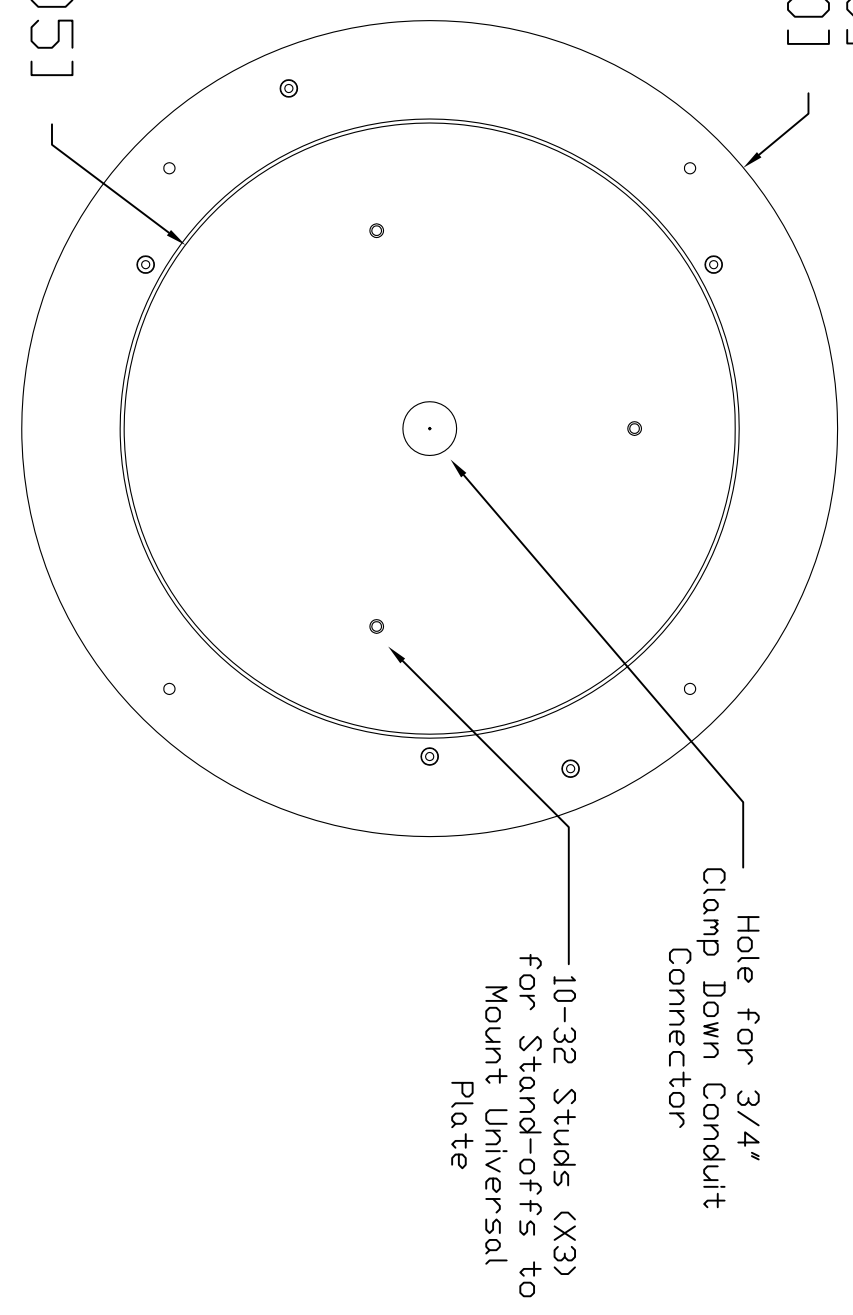


- Tile Support Brace
- Conduit Connector
- Safety Hanger Plate
- Metal Back Can
- Conduit Nut
- Six #10 Washers
- Three .25" F to F Stand-offs
- Three .75" M to F Stand-offs Use with HD-20
- Four 10-32 x 1" Screws - Attach Back Can to Back Box
- Two 1/4"-20x5/8" Screws Use Two 1/4"-20x3/8" Screws for HD-20
- Universal Camera Platform
- Three 10-32x1/2" Attach Platform to Stand-offs
- HD-20, HD-19 or HD20 PTZ Camera System
- 12" Clear Dome
- White Trim Ring and White Screws

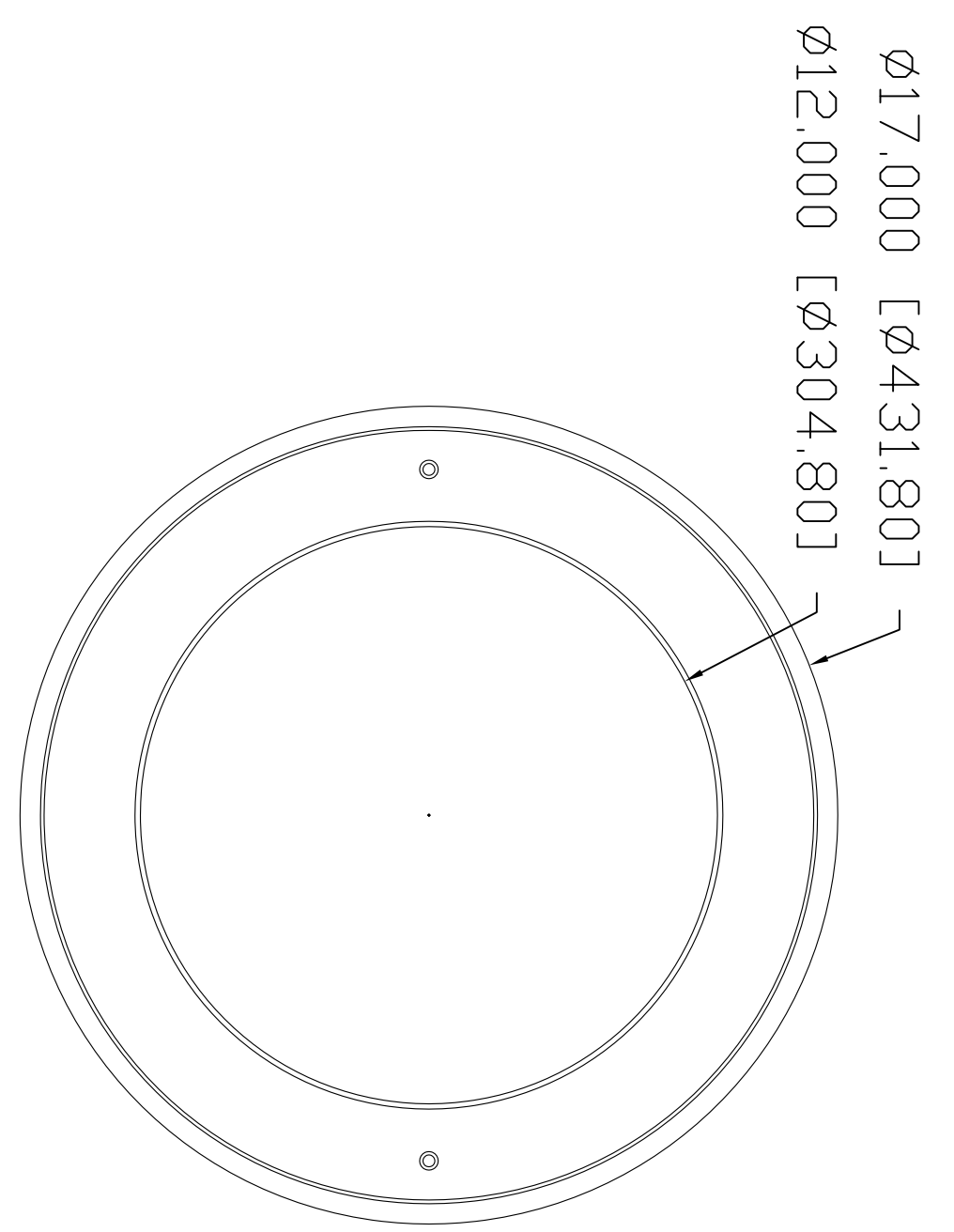
Metal Back Can Rear View



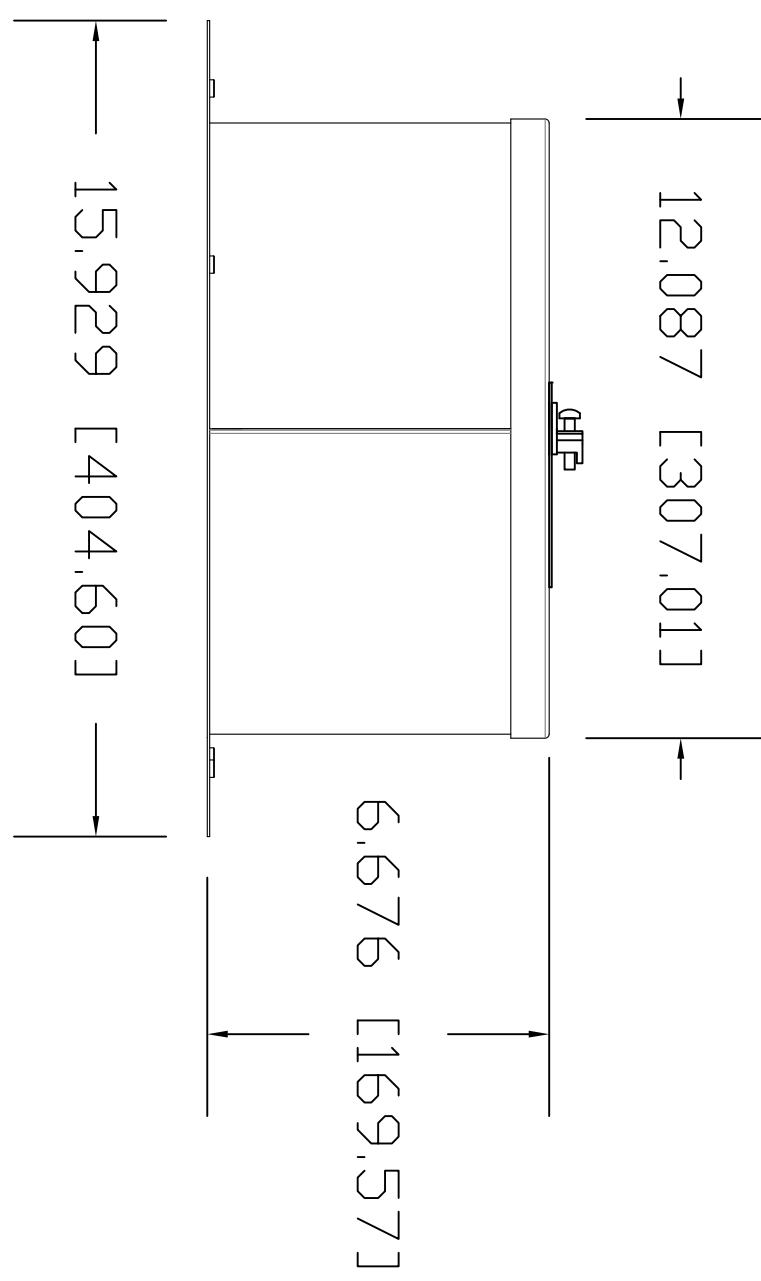
Metal Back Can Front View - Looking into Can



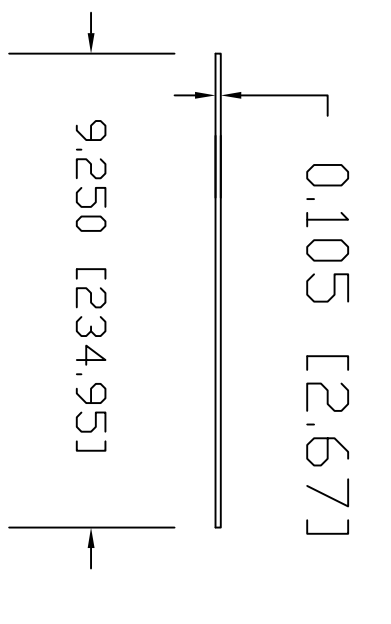
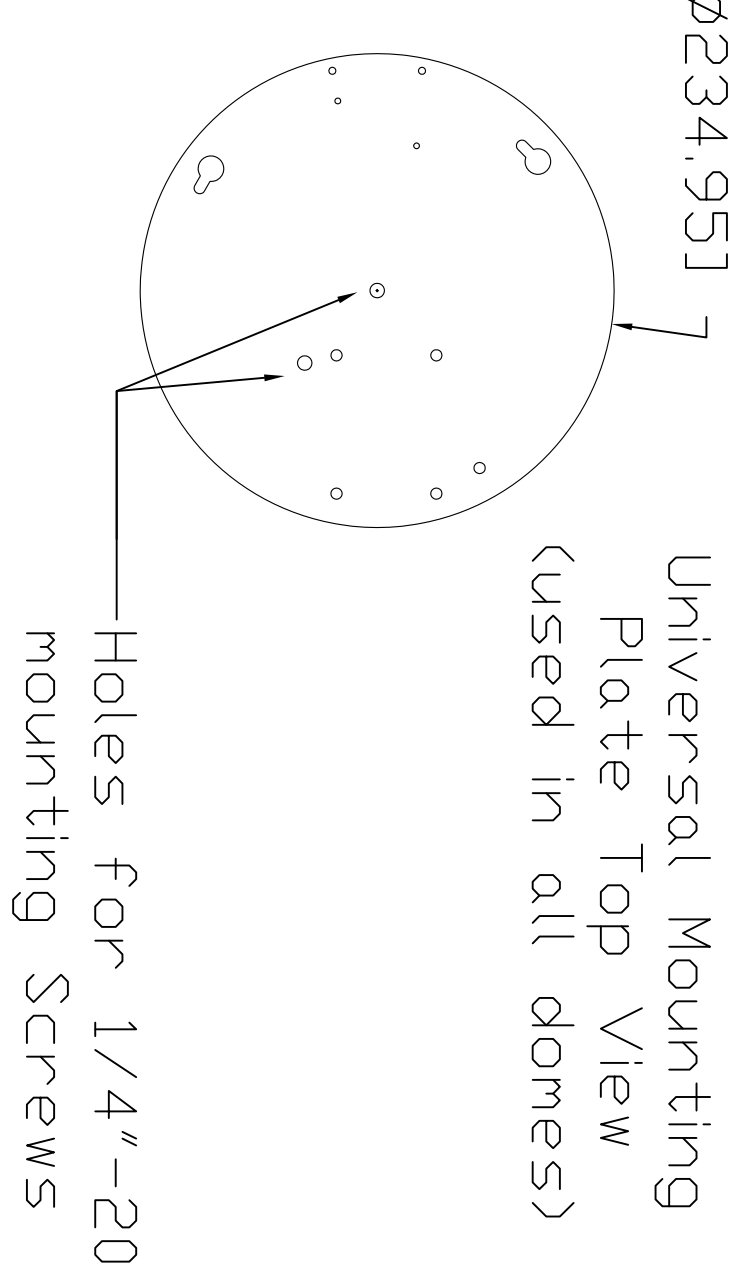
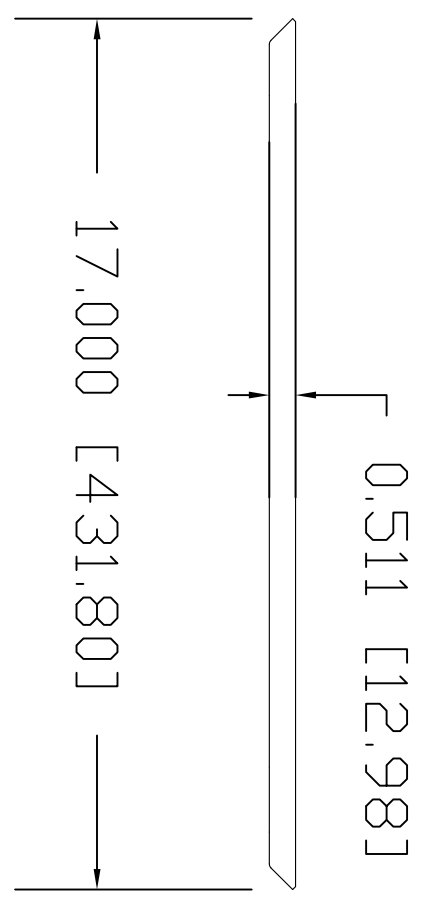
White Trim Ring Side View



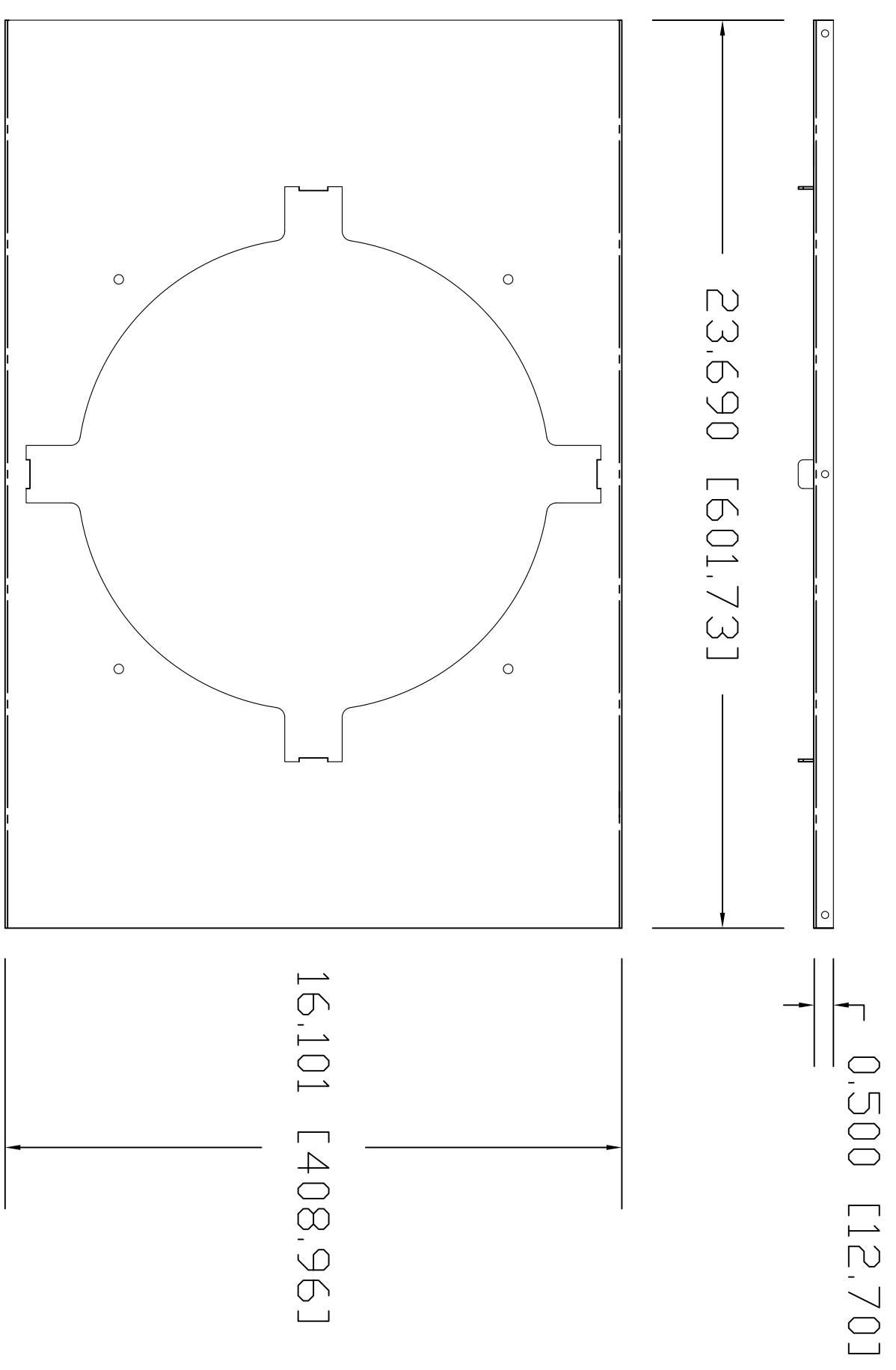
Metal Back Can Side View



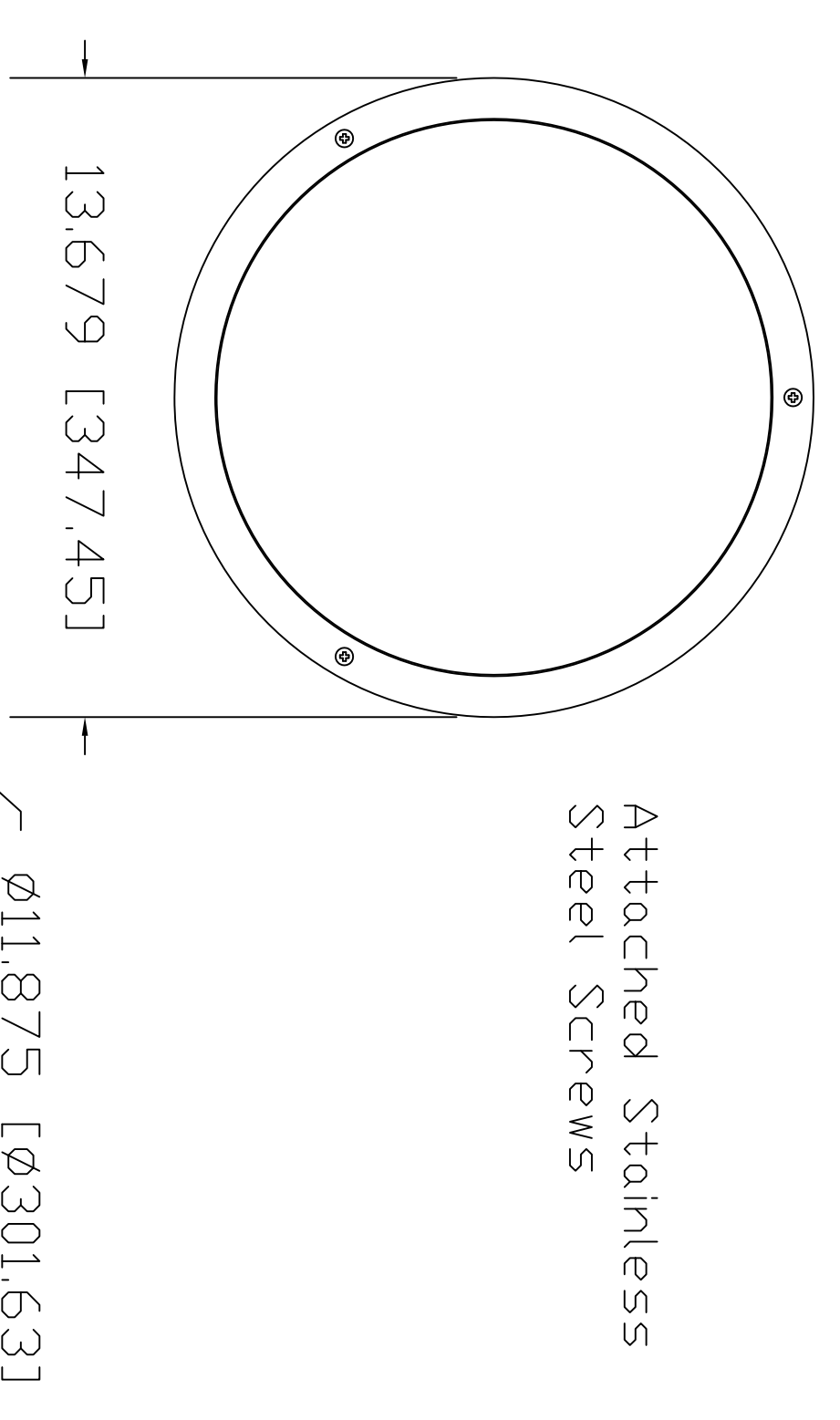
White Trim Ring Side View



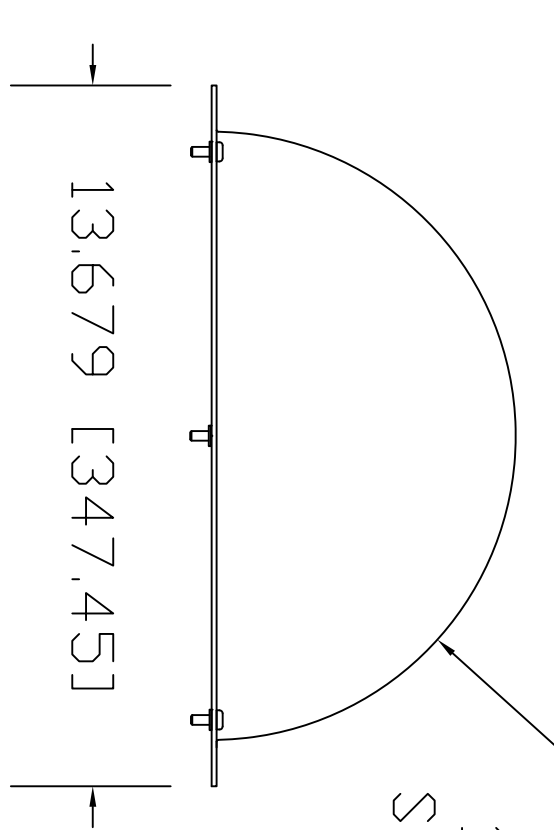
Tile Support Brace Side and Top Views



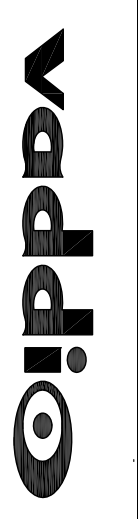
12" Optical Grade Dome Top View



12" Dome Side View



Attached Stainless Steel Screws



998-9000-200 DomeVIEW HD Indoor Flush Mount Dome

FDR HD-18, HD-19 and HD-20 Vaddio PTZ Cameras

DRAWN	CHECKED	APPROVED	DATE
RAR		RAR	05/24/11

THIS DRAWING INCLUDING ALL SUBJECT MATTERS INDICATED THEREON OR BEING HEREBY REFERRED TO, IS THE PROPERTY OF VADDIO. NO PART OF THIS DRAWING IS TO BE REPRODUCED OR TRANSMITTED IN ANY FORM OR BY ANY MEANS, ELECTRONIC OR MECHANICAL, INCLUDING PHOTOCOPYING, RECORDING, OR BY ANY INFORMATION STORAGE AND RETRIEVAL SYSTEM, WITHOUT THE EXPRESS WRITTEN PERMISSION OF VADDIO. ALL RIGHTS RESERVED - Copyright 2008
 MATERIALS: CRS SHI, Various Gauge
 BLACK POWDERCOAT - FC1 886-3H
 COMMENTS: Surface Finishing Catalyst Spec - NOT INCLUDED

SCALE	DRAWING No.	REV
1:4	9000-200	A