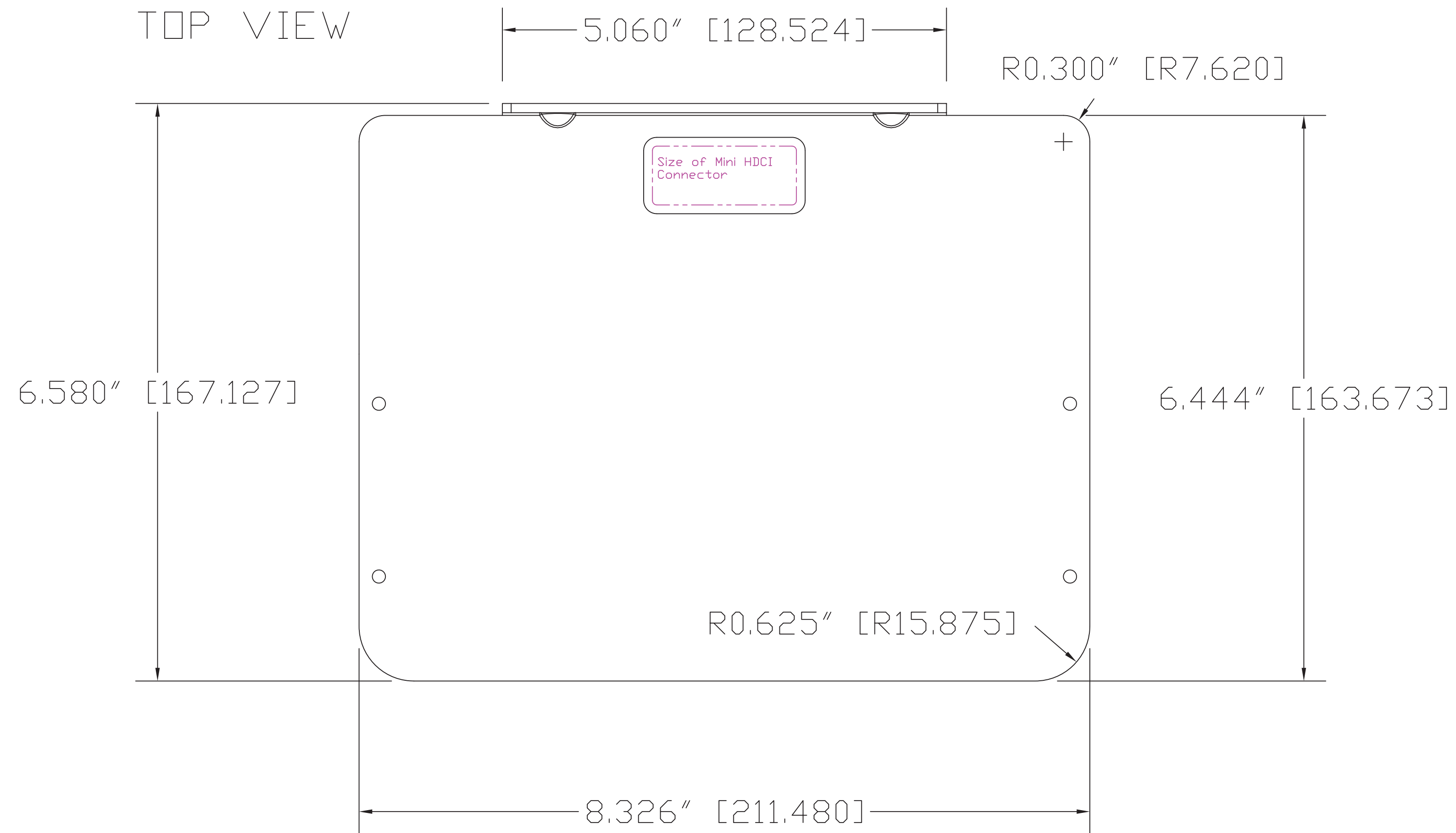
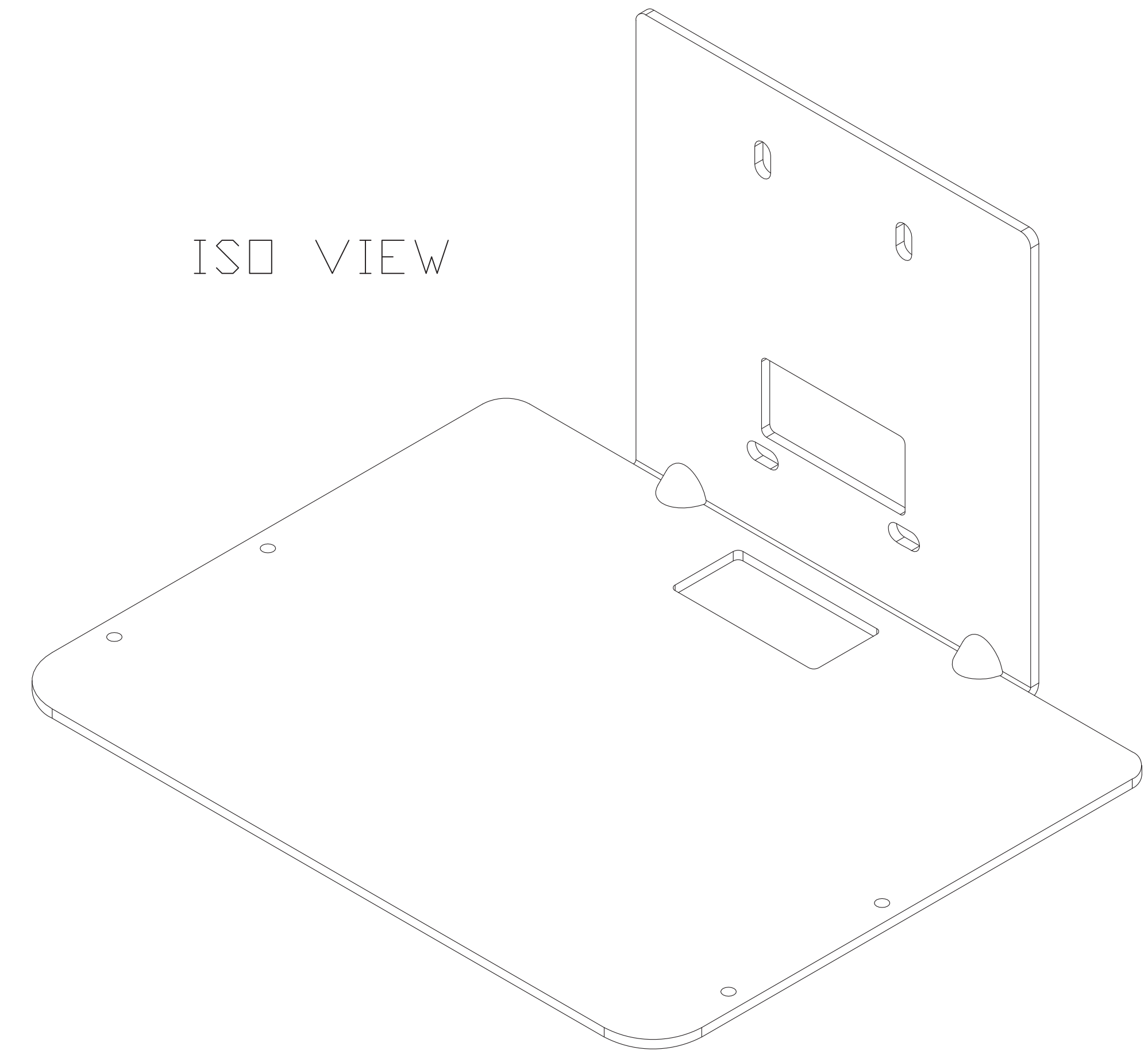


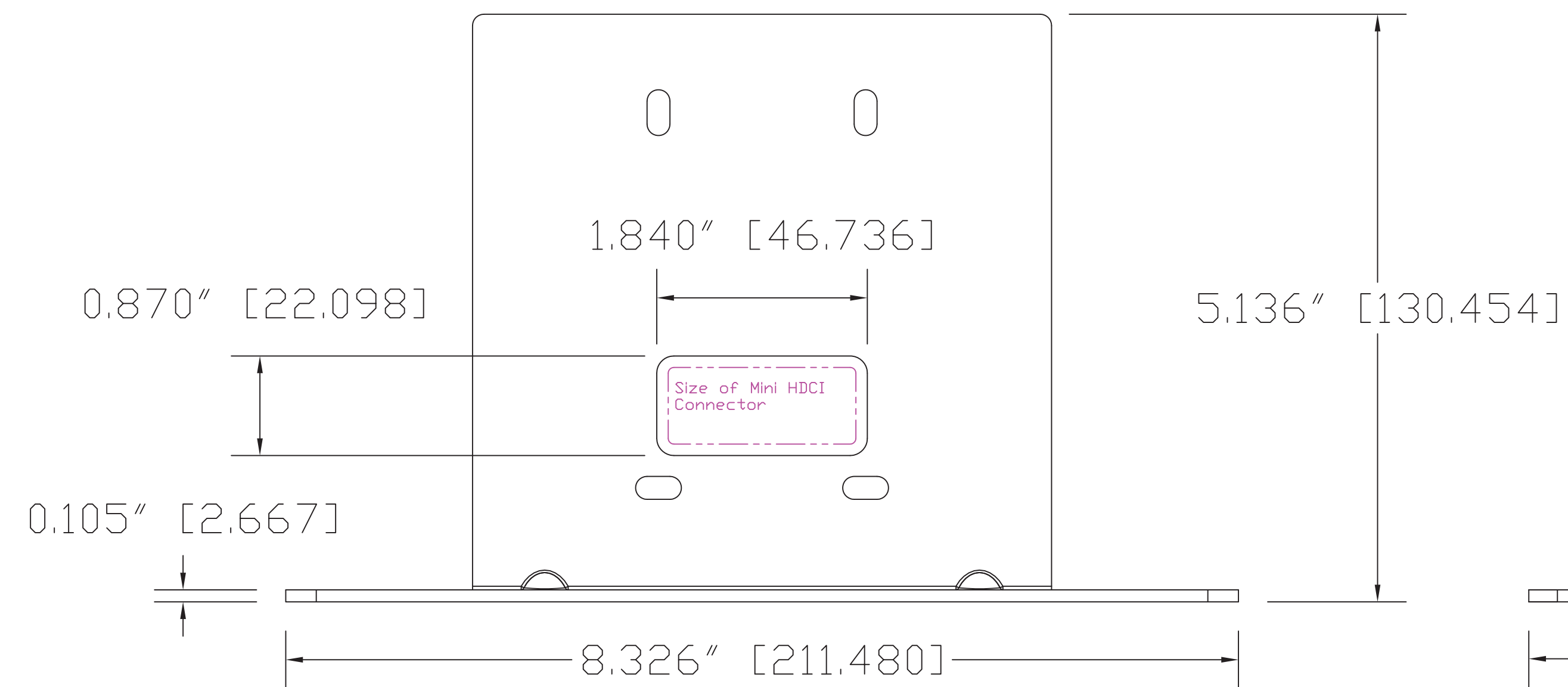
TOP VIEW



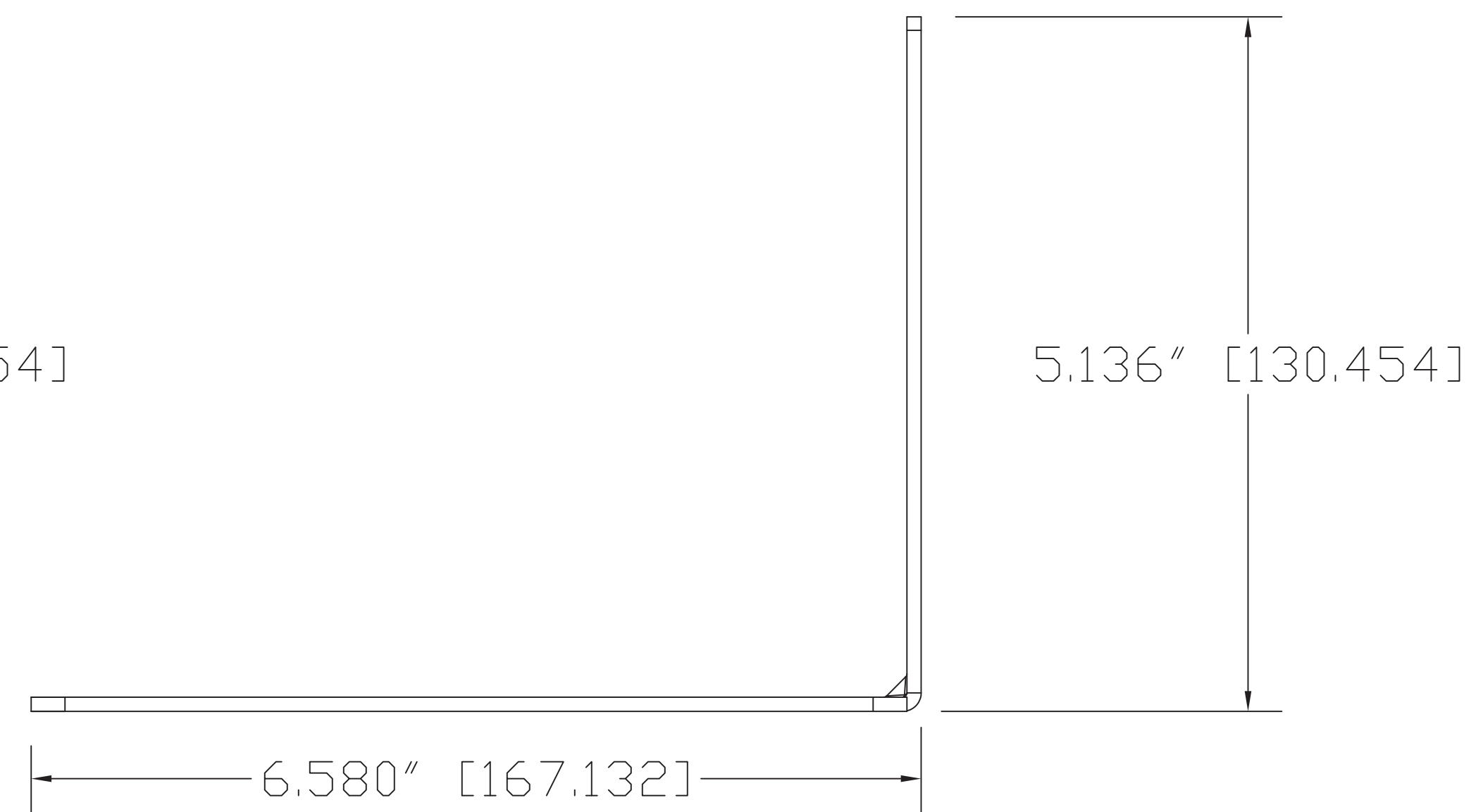
ISO VIEW



FRONT VIEW



SIDE VIEW



GENERAL NOTES:  
DIMENSIONS ARE IN INCHES (mm) UNLESS OTHERWISE NOTED.  
DO NOT DISTRIBUTE WITHOUT EXPRESS WRITTEN PERMISSION  
OF VADDIO. DUE TO OUR CONTINUING EFFORTS TO ENHANCE  
OUR PRODUCTS, WE RESERVE THE RIGHT TO CHANGE  
SPECIFICATIONS WITHOUT PRIOR NOTICE OR OBLIGATION.

535-2000-242 THIN PROFILE WALL MOUNT

For Polycom EagleEye IV PTZ Camera (4X and 12X)

DRAWN	CHECKED	APPROVED	DATE
RAR		RAR	11/05/14 SD: 68311.8

THIS DRAWING, INCLUDING ALL SUBJECT MATTERS INDICATED THEREON OR DERIVED THEREFROM, COMPRISES PROPRIETARY INFORMATION AND IS THE EXPRESS PROPERTY OF VADDIO. All Rights Reserved - Copyright © 2014

MATERIALS	CRS SHT, .105 (12 GA) BLACK POWDERCOAT C241-BK303	SCALE	1:1	DRAWING No.	REV
COMMENTS	Resonating Imaging Transducer (RIT) - NOT INCLUDED	SIZE	D	2000-242	A