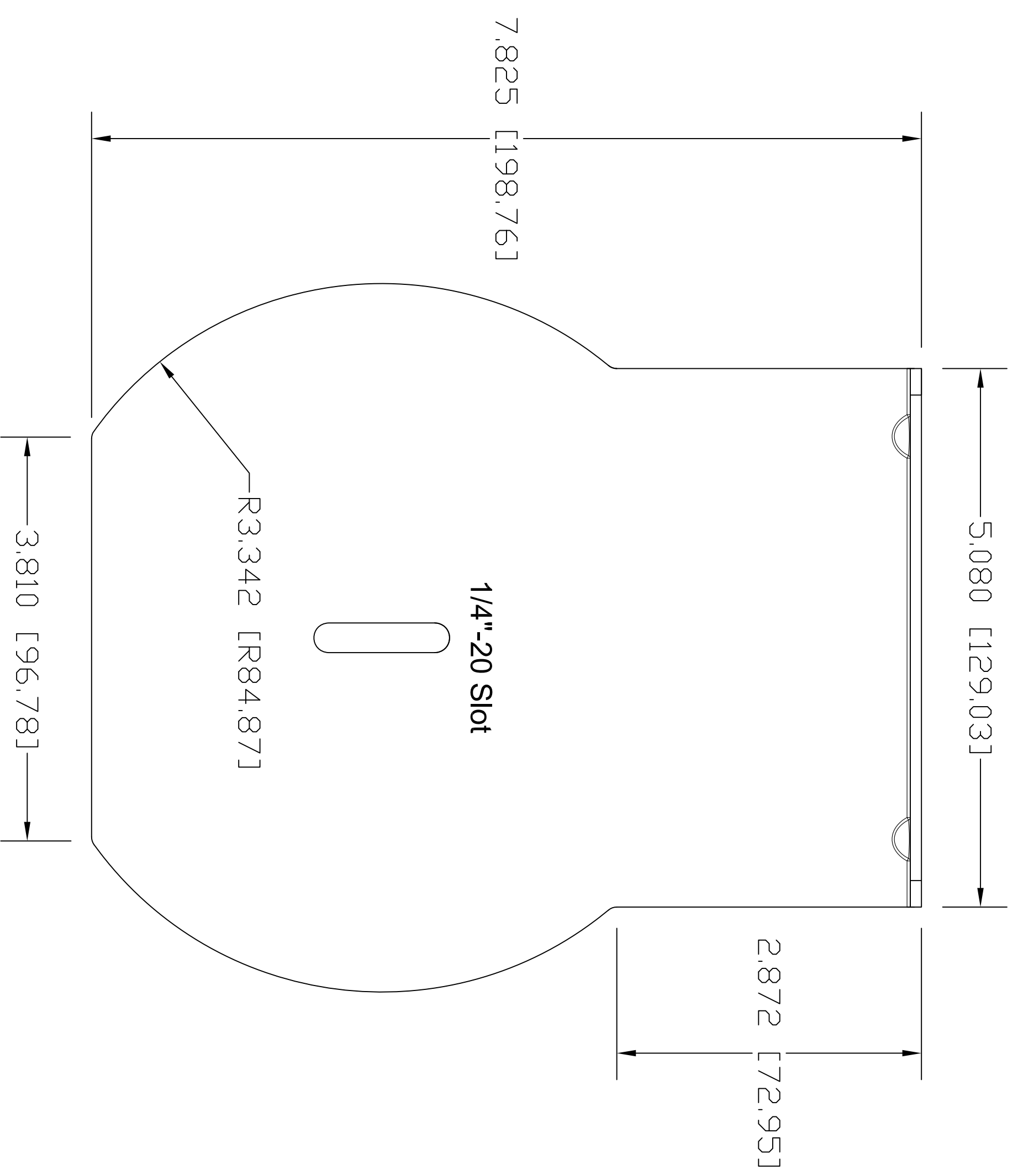
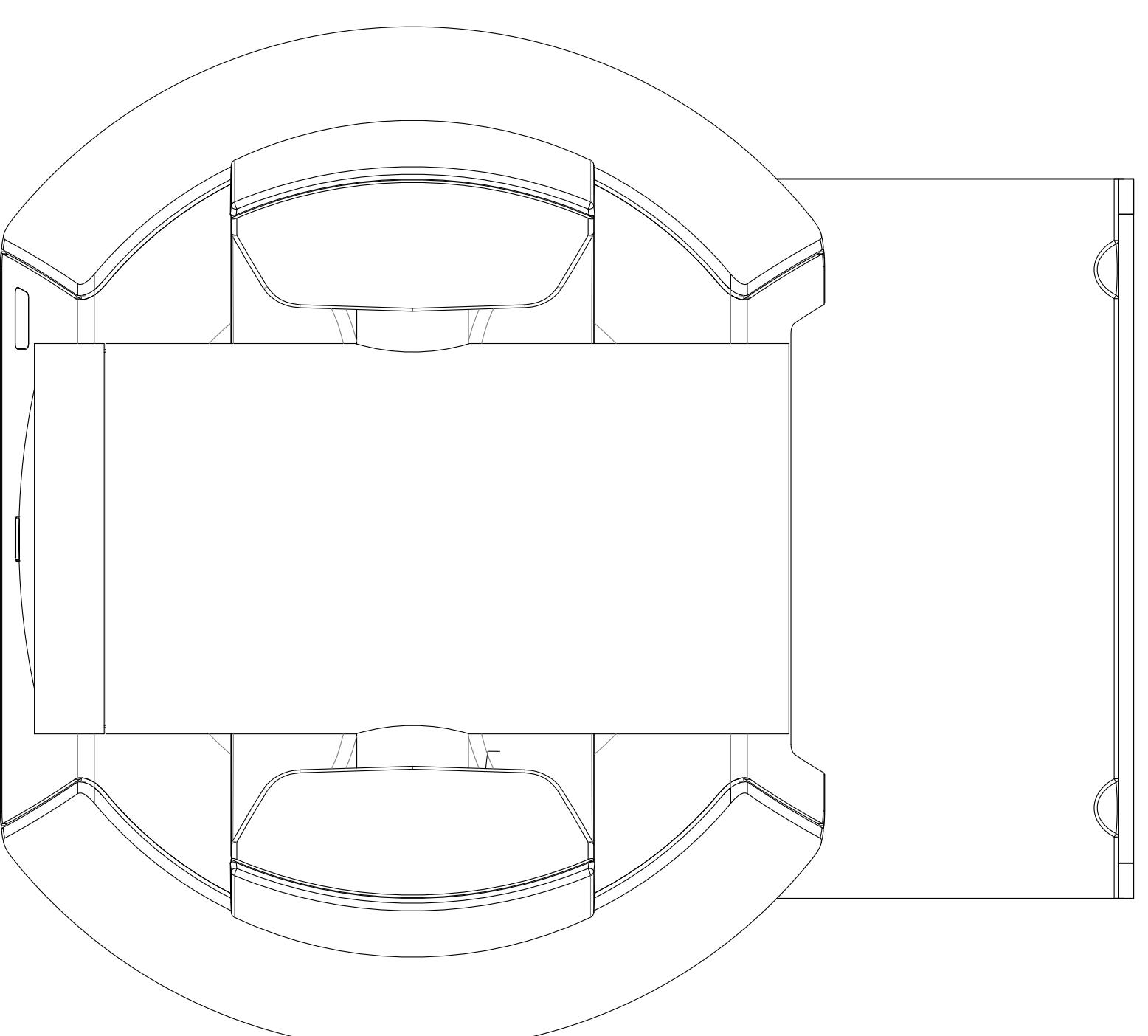


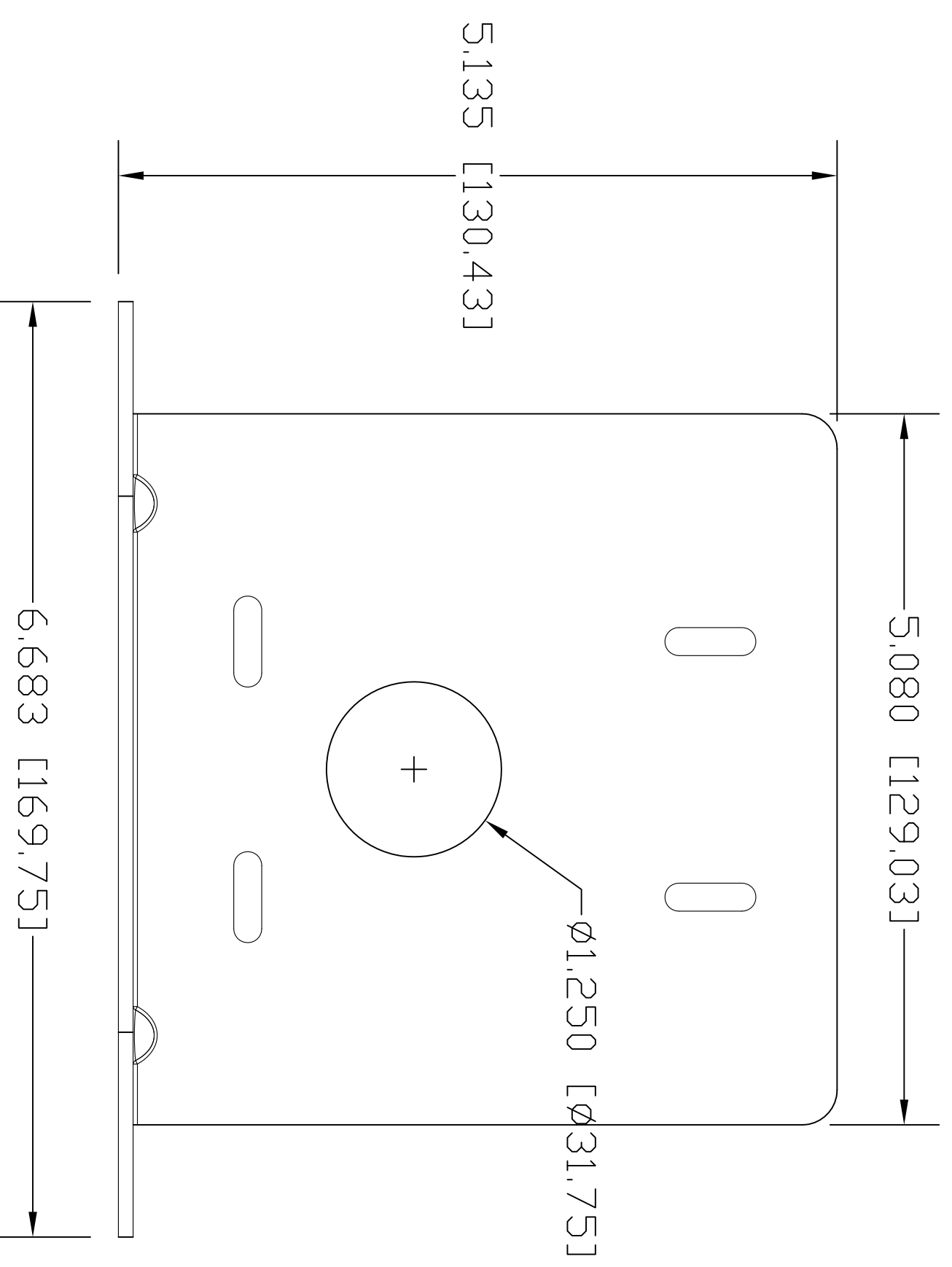
Top View



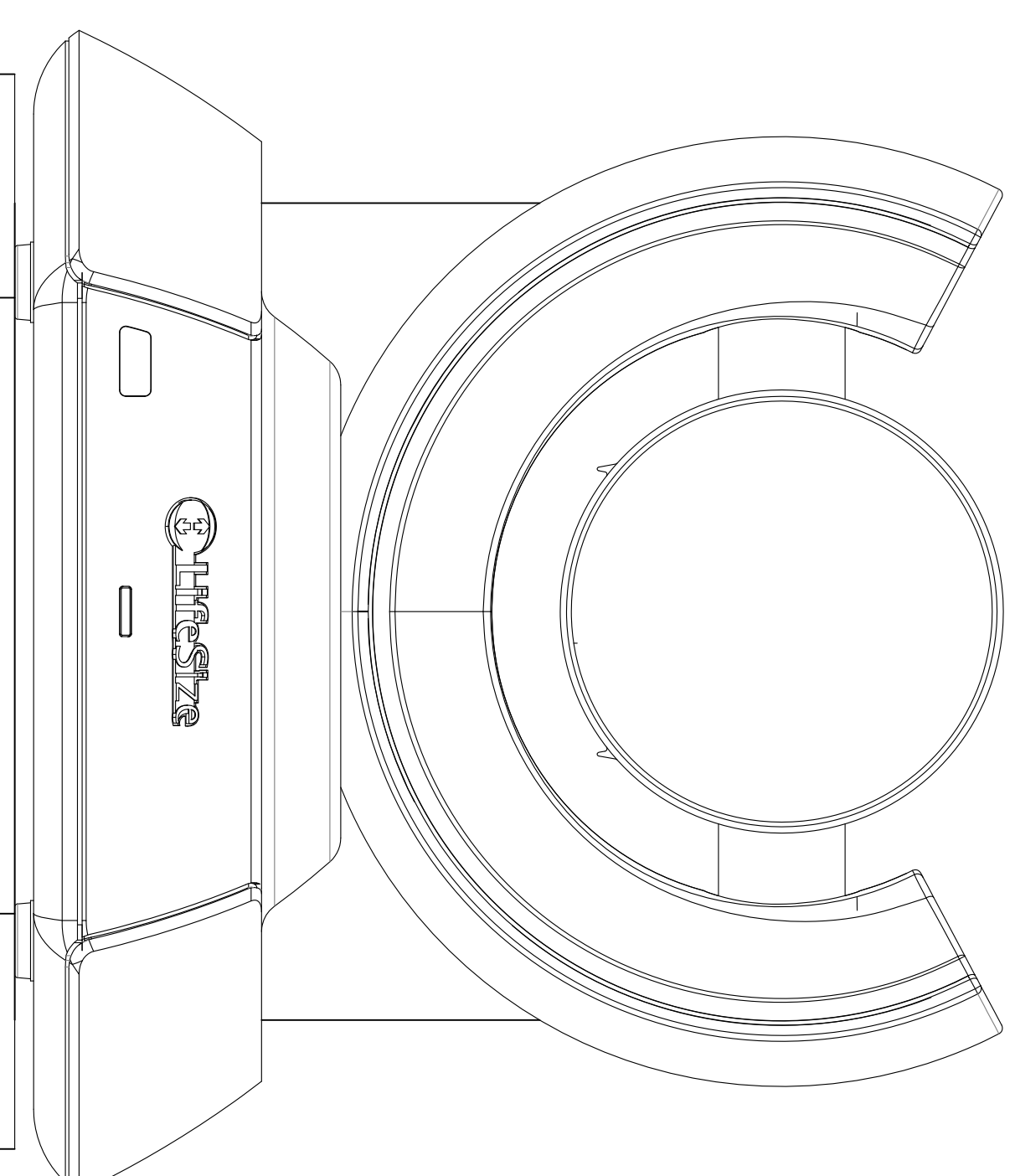
Top View w/LifeSize 10X



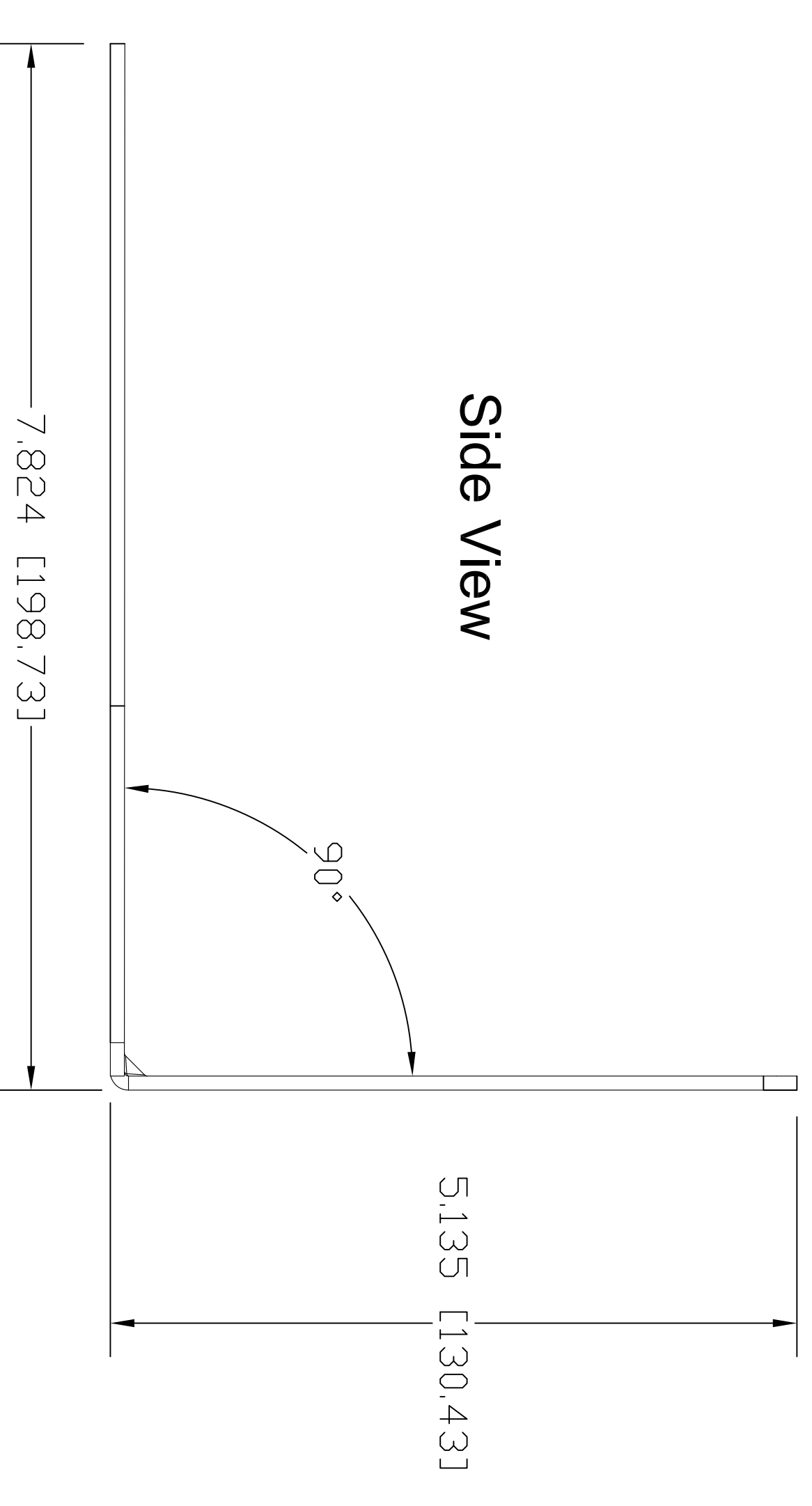
Front View



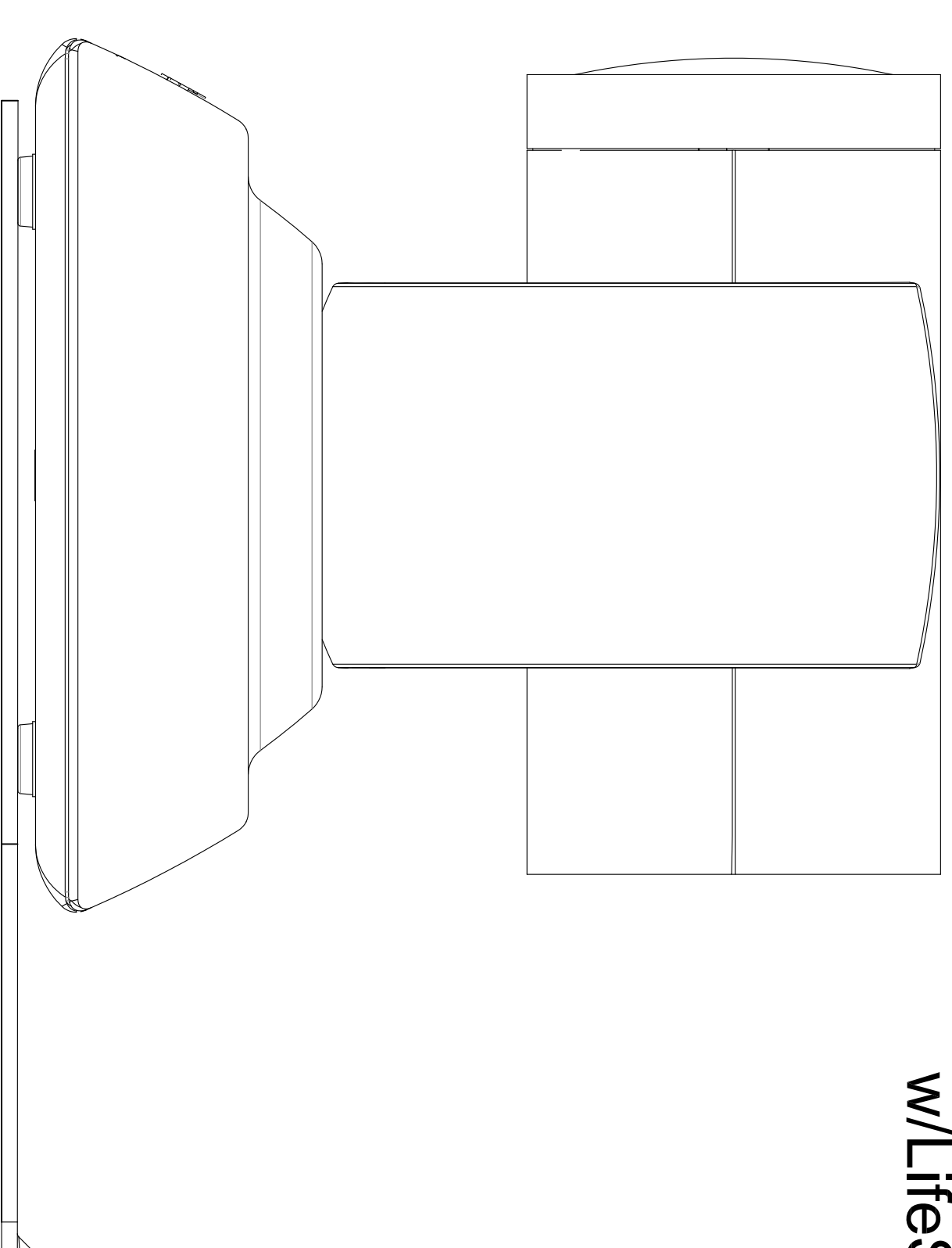
Front View w/LifeSize 10X



Side View



Side View
w/LifeSize 10X



vaddio

535-2000-234 THIN PROFILE WALL MOUNT

FOR LifeSize 10X PTZ CAMERA - No EZIM

DRAWN	CHECKED	APPROVED	DATE
RAR		RAR	05/24/11

THIS DRAWING, INCLUDING ALL SUBJECT MATTERS INDICATED THEREON OR DERIVED THEREFROM, IS THE PROPERTY OF VADDIO. IT IS TO BE USED ONLY FOR THE PROJECT AND PURPOSE SPECIFICALLY IDENTIFIED HEREIN. ALL RIGHTS RESERVED. VADDIO SHALL NOT BE RESPONSIBLE FOR ANY ERRORS OR OMISSIONS. VADDIO SHALL NOT BE RESPONSIBLE FOR ANY DAMAGES, INCLUDING CONSEQUENTIAL DAMAGES, ARISING FROM THE USE OF THIS DRAWING. VADDIO SHALL NOT BE RESPONSIBLE FOR ANY DAMAGES, INCLUDING CONSEQUENTIAL DAMAGES, ARISING FROM THE USE OF THIS DRAWING.

TOLERANCES	CAS. SPT. TSS. Q12. Q30	SCALE	DRAWING NO.	REV
BLACK POWDERCOAT - F01 86-394 <td>1:1</td> <td>2000-232</td> <td>A</td> <td></td>	1:1	2000-232	A	

COMMENTS: Surface Finishing: electropol. cnc - NOT INCLUDED

GENERAL NOTES:
DIMENSIONS ARE IN INCHES UNLESS OTHERWISE NOTED.
DIMENSIONS ARE TO CENTER UNLESS OTHERWISE NOTED.
DIMENSIONS ARE TO CENTER UNLESS OTHERWISE NOTED.
DIMENSIONS ARE TO CENTER UNLESS OTHERWISE NOTED.
DIMENSIONS ARE TO CENTER UNLESS OTHERWISE NOTED.