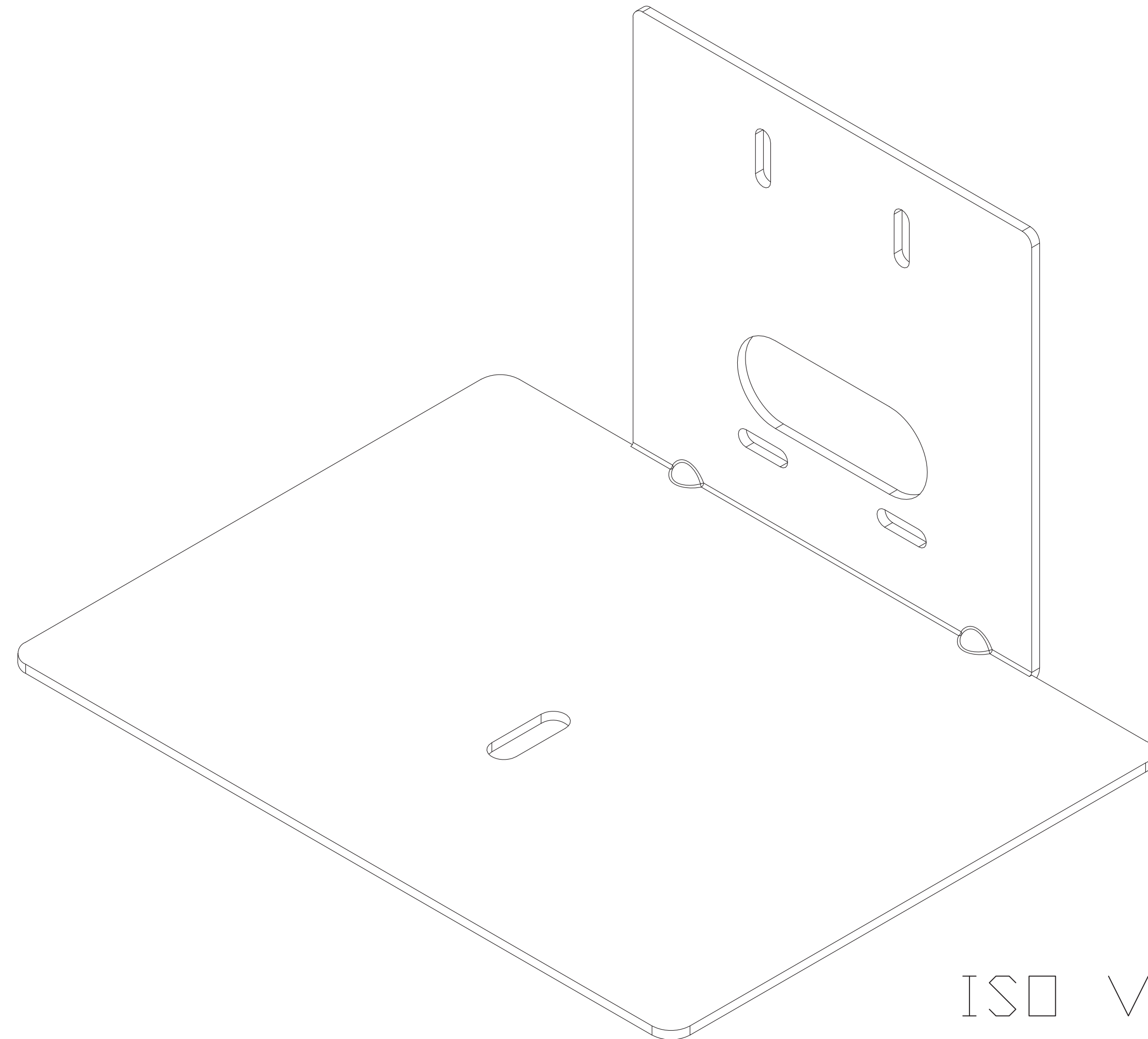
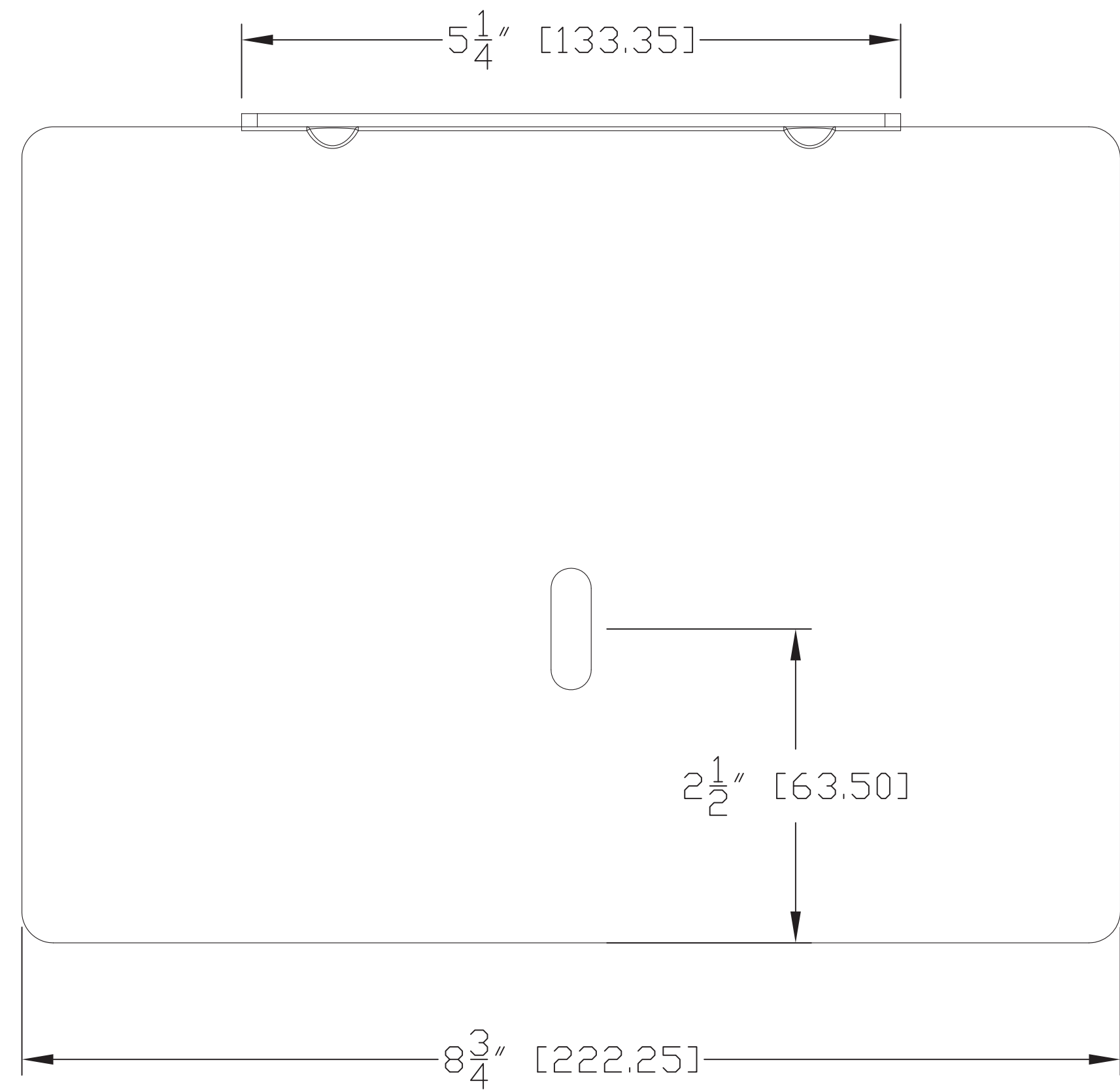
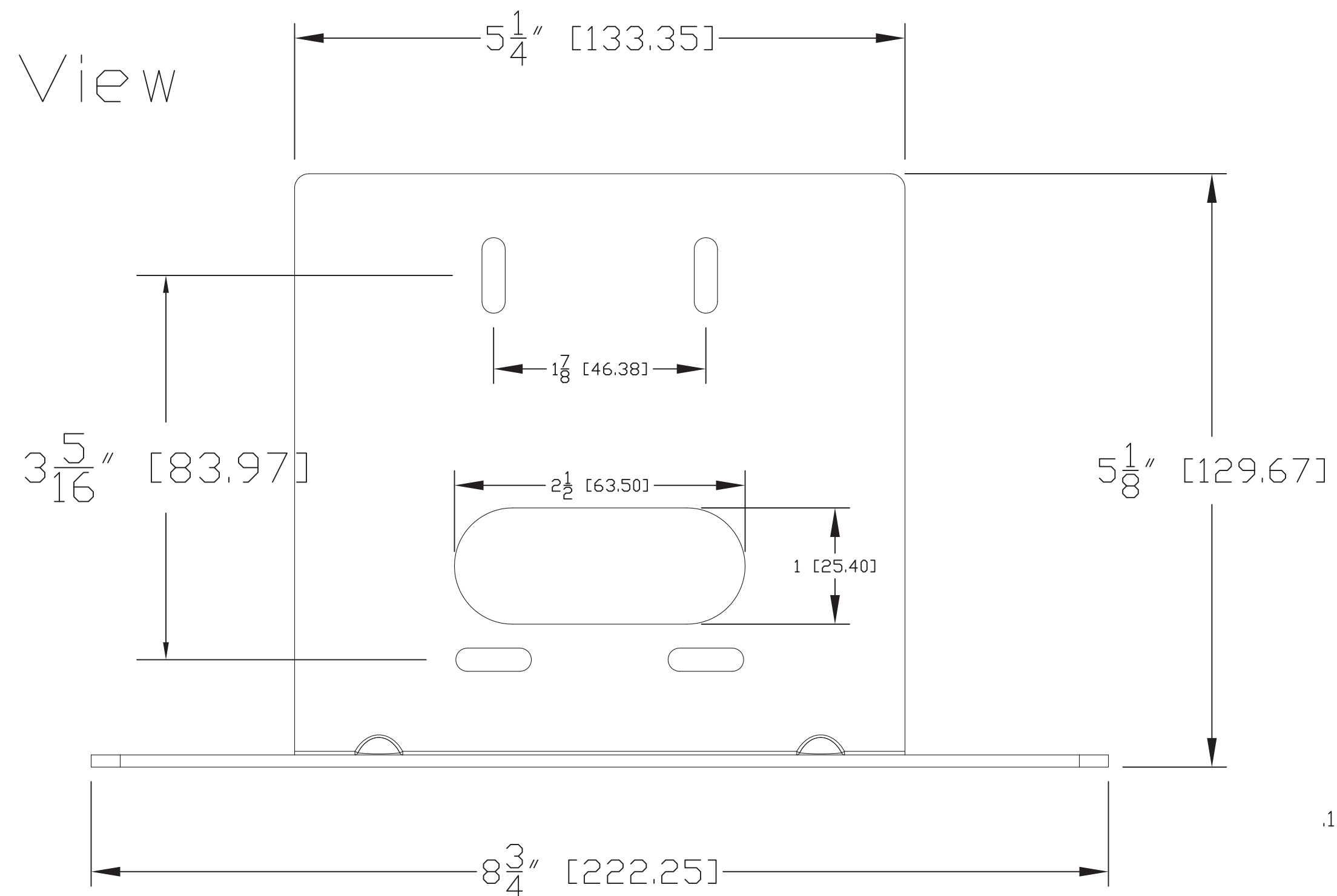


Top View

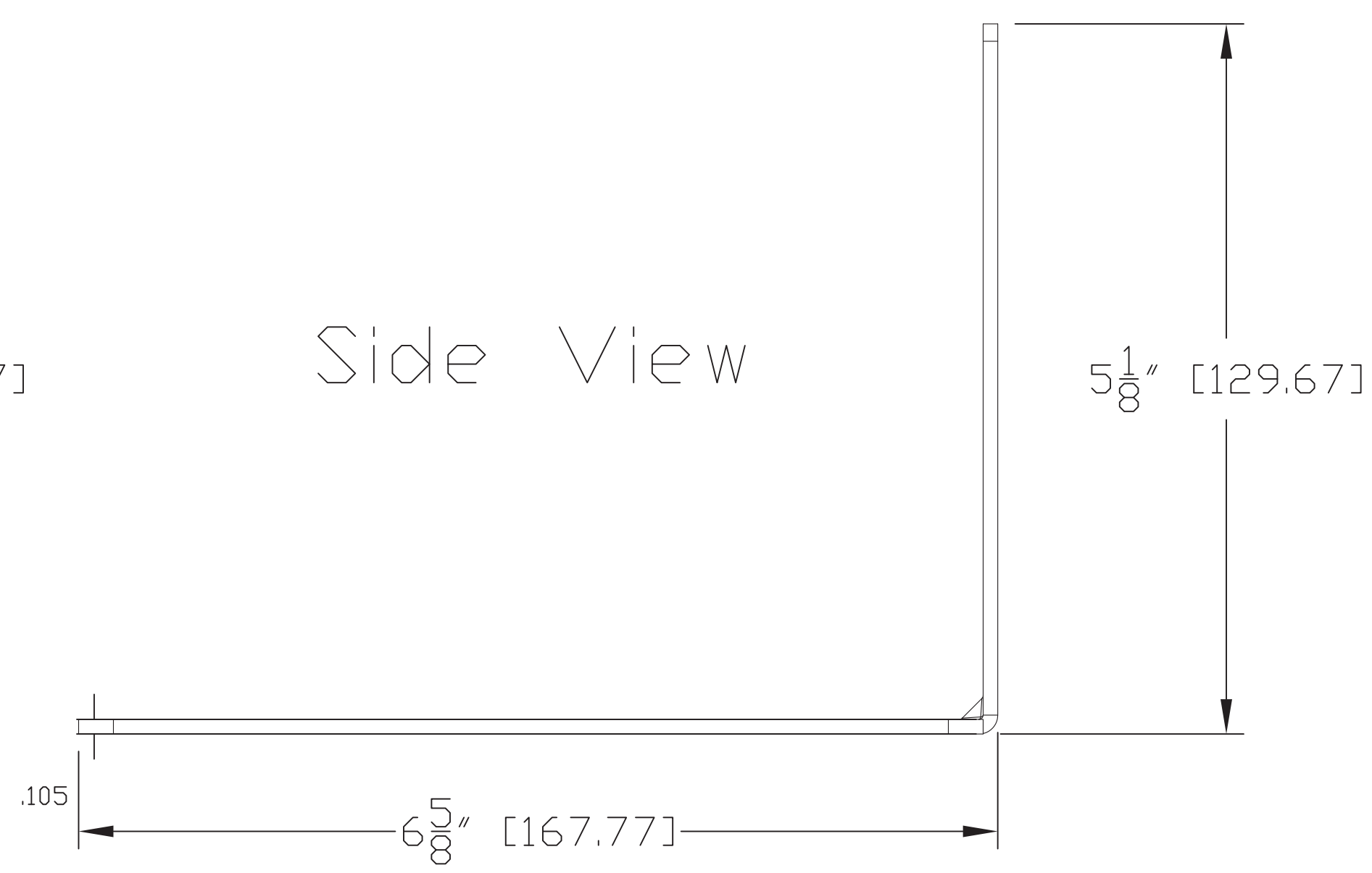


ISO View

Front View

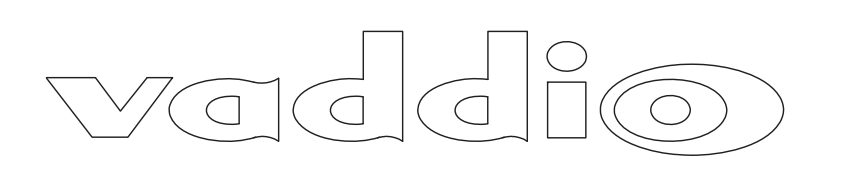


Side View



GENERAL NOTES:

DIMENSIONS ARE IN INCHES (mm) UNLESS OTHERWISE NOTED. DO NOT DISTRIBUTE WITHOUT EXPRESS WRITTEN PERMISSION OF VADDIO. DUE TO OUR CONTINUING EFFORTS TO ENHANCE OUR PRODUCTS, WE RESERVE THE RIGHT TO CHANGE SPECIFICATIONS WITHOUT PRIOR NOTICE OR OBLIGATION.



| | | | |
|-------------------------------------------------------------------------------------------------------------------------------------------------------------|--|-------------------------------------------------------------------------------------------------------------------------------------------------------------------------------------------------|--|
| UNLESS OTHERWISE NOTED DIMENSIONAL LIMITS APPLY AFTER FINISH MACHINED SURFACES 125 EDGES & FILLETS R .05/205 FRACTIONS ± 1/32 ANGLES ± 1° | | THIS DRAWING, INCLUDING ALL SUBJECT MATTERS INDICATED THEREIN OR DERIVED THEREFROM, COMPRISES PROPRIETARY INFORMATION AND IS THE EXPRESS PROPERTY OF VADDIO. All Rights Reserved-Copyright 2006 | |
| DEC. XX ± .015 XXX ± .005 XXXX ± .000 | | Title 535-2000-217 for Cisco Precision HD PTZ Camera | |
| DRAWN JAS CHECKED RAR APPROVED RAR DATE 3/16/07 | | MATERIAL CRS SHT, .105 (12 GA), 1008 FINISH PAINT, BLACK FLAT POWDER COAT, PCC# 806-394 | |
| SHEET 1-1 | | DRAWING NO. 217 SCALE 1:1 REV. B | |