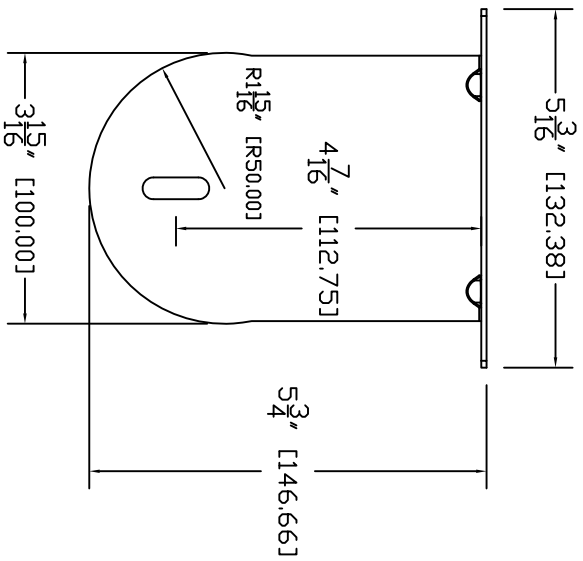
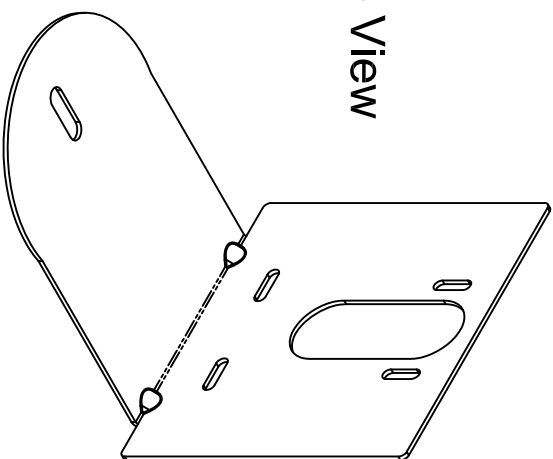


Top View

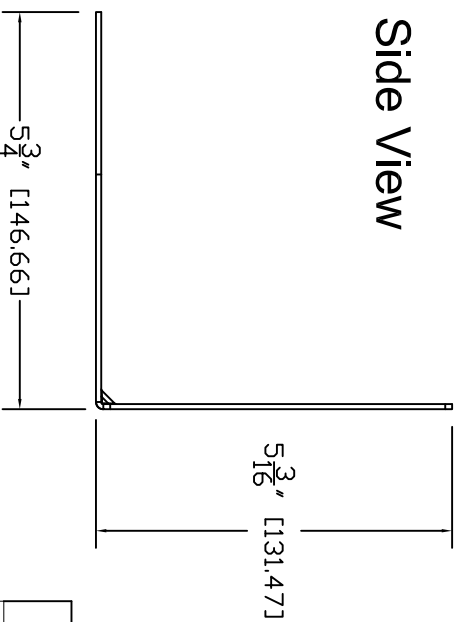


Iso View



$1\frac{13}{16}$ " [46.38]

Side View



$3\frac{5}{16}$ " [83.97]

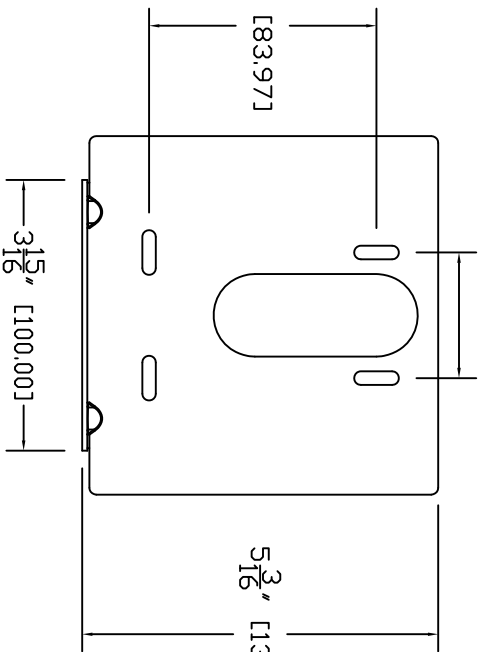
$5\frac{3}{16}$ " [131.47]

$3\frac{15}{16}$ " [100.00]

$5\frac{3}{4}$ " [146.66]

$5\frac{3}{16}$ " [131.47]

Front View



GENERAL NOTES

1. DIMENSIONS ARE IN INCHES UNLESS OTHERWISE NOTED.
2. DIMENSIONS ARE TO FACE UNLESS OTHERWISE NOTED.
3. DIMENSIONS ARE TO CENTER UNLESS OTHERWISE NOTED.
4. DIMENSIONS ARE TO EDGE UNLESS OTHERWISE NOTED.
5. DIMENSIONS ARE TO CENTER UNLESS OTHERWISE NOTED.
6. DIMENSIONS ARE TO FACE UNLESS OTHERWISE NOTED.
7. DIMENSIONS ARE TO CENTER UNLESS OTHERWISE NOTED.
8. DIMENSIONS ARE TO FACE UNLESS OTHERWISE NOTED.
9. DIMENSIONS ARE TO CENTER UNLESS OTHERWISE NOTED.
10. DIMENSIONS ARE TO FACE UNLESS OTHERWISE NOTED.
11. DIMENSIONS ARE TO CENTER UNLESS OTHERWISE NOTED.
12. DIMENSIONS ARE TO FACE UNLESS OTHERWISE NOTED.
13. DIMENSIONS ARE TO CENTER UNLESS OTHERWISE NOTED.
14. DIMENSIONS ARE TO FACE UNLESS OTHERWISE NOTED.
15. DIMENSIONS ARE TO CENTER UNLESS OTHERWISE NOTED.
16. DIMENSIONS ARE TO FACE UNLESS OTHERWISE NOTED.
17. DIMENSIONS ARE TO CENTER UNLESS OTHERWISE NOTED.
18. DIMENSIONS ARE TO FACE UNLESS OTHERWISE NOTED.
19. DIMENSIONS ARE TO CENTER UNLESS OTHERWISE NOTED.
20. DIMENSIONS ARE TO FACE UNLESS OTHERWISE NOTED.



PART NUMBER: 335-2000-207 For Canon VC-C30			
REV: 1			
DATE: 02/22/07			
DRAWN BY: JAS			
CHECKED BY: JAS			
APPROVED BY: JAS			
MATERIAL: 304 STAINLESS STEEL			
FINISH: POLISHED			
TOLERANCES: UNLESS OTHERWISE SPECIFIED			
DIMS: .005			
HOLE DIA: .005			
HOLE POS: .010			
HOLE ANG: .010			
HOLE DRILL: .010			
HOLE TAP: .010			
HOLE THREAD: .010			
HOLE PLUG: .010			
HOLE GASKET: .010			
HOLE O-RING: .010			
HOLE SEAL: .010			
HOLE GROMMET: .010			
HOLE WASHER: .010			
HOLE NUT: .010			
HOLE BOLT: .010			
HOLE SCREW: .010			
HOLE WOOD SCREW: .010			
HOLE SELF-TAPPING SCREW: .010			
HOLE CAP SCREW: .010			
HOLE FLAT HEAD SCREW: .010			
HOLE TORX SCREW: .010			
HOLE TORX PLUS SCREW: .010			
HOLE TORX TORQUE SET SCREW: .010			
HOLE TORX TORQUE SET SCREW WITH WING LOCK: .010			
HOLE TORX TORQUE SET SCREW WITH WING LOCK AND FLANGE: .010			
HOLE TORX TORQUE SET SCREW WITH WING LOCK AND FLANGE AND WASHING MACHINE DRAIN: .010			
HOLE TORX TORQUE SET SCREW WITH WING LOCK AND FLANGE AND WASHING MACHINE DRAIN AND WING LOCK: .010			
HOLE TORX TORQUE SET SCREW WITH WING LOCK AND FLANGE AND WASHING MACHINE DRAIN AND WING LOCK AND WING LOCK WASHING MACHINE DRAIN: .010			