



Installation Guide for

ConferenceSHOT 10

Enterprise-Class PTZ Conferencing Camera

Document 411-0002-31 Rev C

January 2017

Contents

Overview	3
What's in this Guide	3
Features	3
Unpacking the Camera	4
A Quick Look at the Camera	6
Back of the Camera	6
Switch Settings	6
Installation	8
Before You Install the Camera	8
Don't Void Your Warranty!	8
Cabling Notes	9
Installing the Wall Mount	10
About Ceiling-Mounted Cameras	10
Installing the Camera	11
Connecting the Camera	12
Powering Up the Camera	12
Status Light	12
Next Steps	13
Operation, Storage, and Care	13
Compliance Statements and Declarations of Conformity	14
FCC Part 15 Compliance	14
ICES-003 Compliance	14
European Compliance	15
Warranty Information	16
Index	17

Overview

This guide covers the ConferenceSHOT 10 enterprise-class PTZ conferencing camera:

- ConferenceSHOT 10 camera (silver), North America – part number 999-9990-000
- ConferenceSHOT 10 camera (silver), Europe and UK – part number 999-9990-001
- ConferenceSHOT 10 camera (white), North America – part number 999-9990-000W
- ConferenceSHOT 10 camera (white), Europe and UK – part number 999-9990-001W



What's in this Guide

This guide covers:

- Unpacking the camera
- Tips for a successful installation
- Instructions for installing the camera mount
- Information on connecting and mounting the camera
- Camera power-on

Complete product information is available in the **Integrator's Complete Guide to ConferenceSHOT 10 Enterprise-Class PTZ Conferencing Cameras**.

Features

- PTZ camera for huddle rooms and small to medium conference rooms
- 2.14 Megapixel (effective), full HD (native 1080p/60) image sensor
- 10x optical zoom, horizontal field of view of 74° in super-wide mode
- Smooth, silent direct-drive motors for precise pan and tilt movements at up to 90° per second
- Simultaneous uncompressed USB 3.0 and IP (H.264) streaming outputs at resolutions up to 1080p/60
- Precise pan and tilt movements at up to 90° per second with smooth, silent direct-drive motors
- Universal Video Class (UVC) drivers supported in Windows®, Mac® OS, and Linux operating systems, compatible with most UC conferencing applications
- Presenter-friendly IR remote control
- Integration-ready Telnet or serial RS-232 control
- Full administrative control via web interface; manage remotely while monitoring the stream separately.

Unpacking the Camera

Make sure you received all the items you expected. Here are the packing lists for the ConferenceSHOT 10 cameras.

Caution:

Use the power supply shipped with the camera. Using a different power supply may create an unsafe operating condition or damage the camera, and will void the warranty.

Caution

Always support the camera's body when picking it up. Lifting the camera by its head or mounting arm will damage it.



North America

ConferenceSHOT 10 camera, silver/black, part number 999-9990-000

ConferenceSHOT 10 camera, white, part number 999-9990-000W

The box should contain one of each item listed here:

- Camera, part number 998-9990-000 (silver/black) or 998-9990-000W (white)
- Vaddio IR Remote Commander
- 12 VDC, 3.0 Amp switching power supply
- AC cord set, North America
- Thin Profile Wall Mount with mounting hardware, black or white depending on camera color
- RS-232 control adapter
- USB 3.0 Type A to Type B cable, 6 ft. (1.8m)
- Quick Start Guide, part number 342-1117



Europe and UK

ConferenceSHOT 10 camera, silver/black, part number 999-9990-001

ConferenceSHOT 10 camera, white, part number 999-9990-001W

The box should contain one of each item listed here:

- Camera, part number 998-9990-000 (silver/black) or 998-9990-000W (white)
- Vaddio IR Remote Commander
- 12 VDC, 3.0 Amp switching power supply
- AC cord set, Europe
- AC cord set, UK
- Thin Profile Wall Mount with mounting hardware, black or white depending on camera color
- RS-232 control adapter
- USB 3.0 Type A to Type B cable, 6 ft. (1.8m)
- Quick Start Guide, part number 342-1117



Australia and New Zealand

ConferenceSHOT 10 camera, silver/black, part number 999-9990-009

ConferenceSHOT 10 camera, white, part number 999-9990-009W

The box should contain one of each item listed here:

- Camera, part number 998-9990-000 (silver/black) or 998-9990-000W (white)
- VaddioIR Remote Commander
- 12 VDC, 3.0 Amp switching power supply
- AC cord set, Australia/New Zealand
- Thin Profile Wall Mount with mounting hardware, black or white depending on camera color
- RS-232 control adapter
- USB 3.0 Type A to Type B cable, 6 ft. (1.8m)
- Quick Start Guide, part number 342-1117



Download manuals, dimensional drawings, and other information from www.vaddio.com/support.

A Quick Look at the Camera



- **Camera and zoom lens:** The ConferenceSHOT 10 camera features a 10X optical zoom lens (11X in Super-Wide mode).
- **IR sensors:** Sensors in the front of the camera base receive signals from the remote. Make sure there's nothing directly in front of the camera base, and point the remote at the camera.
- **Status light:** The multi-colored LED indicates the camera's current state.

Back of the Camera



- **12 VDC, 3.0 Amp power connector** – Connect only the power supply shipped with the camera.
- **USB 3.0 type B video device connector** – Streams uncompressed UVC standard video
- **Ethernet RJ-45** – Connect to the network for IP streaming and camera control via web interface or Telnet
- **DIP switches** – Set IR frequency, IR on/off, and image flip (camera is invertible)
- **RS-232 port** – Connect to a controller to manage the camera using a modified VISCA protocol.

Switch Settings

The camera uses DIP switches to determine certain camera functions.

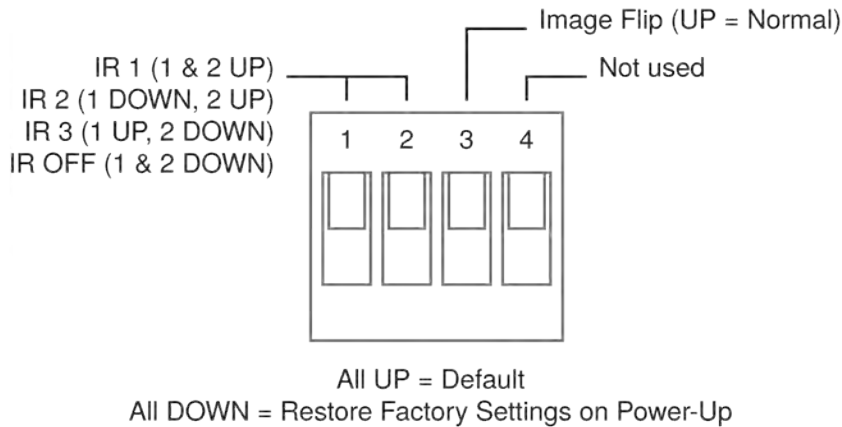
A label on the bottom of the camera provides a quick reference for setting the switches.

When the camera is right side up, switches are in their default positions when they are up.

IR Frequency Selection:The IR Remote Commander can control up to three cameras in the same room with different IR frequencies. Use **switches 1 and 2** to select the frequency to identify the camera as camera 1, 2, or 3; then use the Camera Select buttons at the top of the remote to select the camera you want to control.

Inverted operation: If mounting the camera upside-down, set **switch 3** to the DOWN position: IMAGE FLIP ON.

Switch 4 is not currently used.



Note

The web interface provides baud rate and super-wide mode settings. See [Web Tasks for Administrators: Soft Switch Settings, Reboots, Resets, and Updates](#).

Installation

This section covers siting the camera, installing the mount, and installing the camera.

Before You Install the Camera

All ConferenceSHOT cameras include a wall mount.

- Choose a camera mounting location that will optimize camera performance. Consider camera viewing angles, lighting conditions, line-of-sight obstructions, and in-wall obstructions where the camera is to be mounted.
- Ensure that the camera body can move freely and point away from the ceiling and lights. The camera will not perform well if it is pointed toward a light source such as a light fixture or window.
- Follow the installation instructions included with the camera mount.

Note

Dome enclosures are not recommended for ConferenceSHOT 10 cameras.

Don't Void Your Warranty!

Caution

This product is for indoor use. Do not install it outdoors or in a humid environment without the appropriate protective enclosure. Do not allow it to come into contact with any liquid.

Use only the power supply included with this product. Using a different one will void the warranty, and could create unsafe operating conditions or damage the product.

Do not install or operate this product if it has been dropped, damaged, or exposed to liquids. If any of these things happen, return it to Vaddio for safety and functional testing.

Learn more at www.vaddio.com/products.

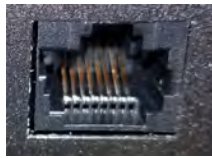
Cabling Notes

For RJ-45 terminated cables, use Cat-5e or better cable and standard RJ-45 connectors (568B termination). We recommend using high-quality connectors and crimping tools.

A DE-9F (DB-9F) adapter is supplied with the camera for making RS-232 connections to a third-party control system such as AMX or Crestron.

Note

Use standard RJ-45 connectors and a good crimping tool. Do not use pass-through RJ-45 connectors. Poorly crimped connectors can damage the connectors on the product, cause intermittent connections, and degrade signal quality. Test cable pin-outs and continuity before connecting them.



Intact – Contact fingers will make reliable contact with the cable connector



Damaged – Some contact fingers are bent and will NOT make reliable contact with the cable connector

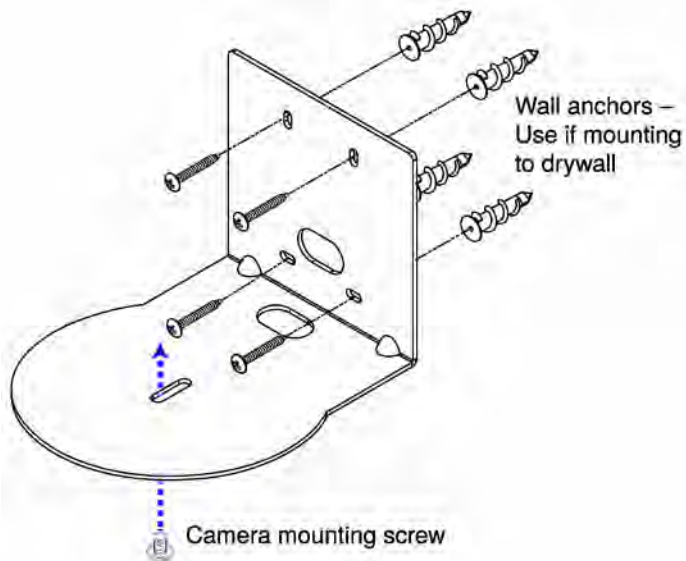
Pro Tip

Label all cables at both ends.

Installing the Wall Mount

You can install the camera wall mount to a 2-gang wall box or directly to the drywall.

- If you mount it to drywall, use the wall anchors provided with the wall mount.
- If you mount it to a wall box, use the cover plate screws supplied with the wall box.



Note

Dome installation is not recommended.

About Ceiling-Mounted Cameras

If you use an inverted mount, set the camera's Image Flip DIP switch ON for inverted operation. See [Switch Settings](#) for more information.

Installing the Camera

Caution

Before you start, be sure you can identify all cables correctly. Connecting a cable to the wrong port can result in equipment damage.

Caution:

Check Cat-5 cables for continuity before using them. Using the wrong pin-out may damage the camera system and void the warranty. Pro tip: Label your cables.

1. Route the cables through the opening in the mounting shelf.
2. Connect the cables to the camera.

Caution:

Use the power supply shipped with the camera. Using a different power supply will damage the camera and void the warranty, and may create an unsafe operating condition.

3. Place the camera on the mount.
4. Attach the camera to the mount using the 1/4"-20 x .375 mounting screw supplied with the camera.

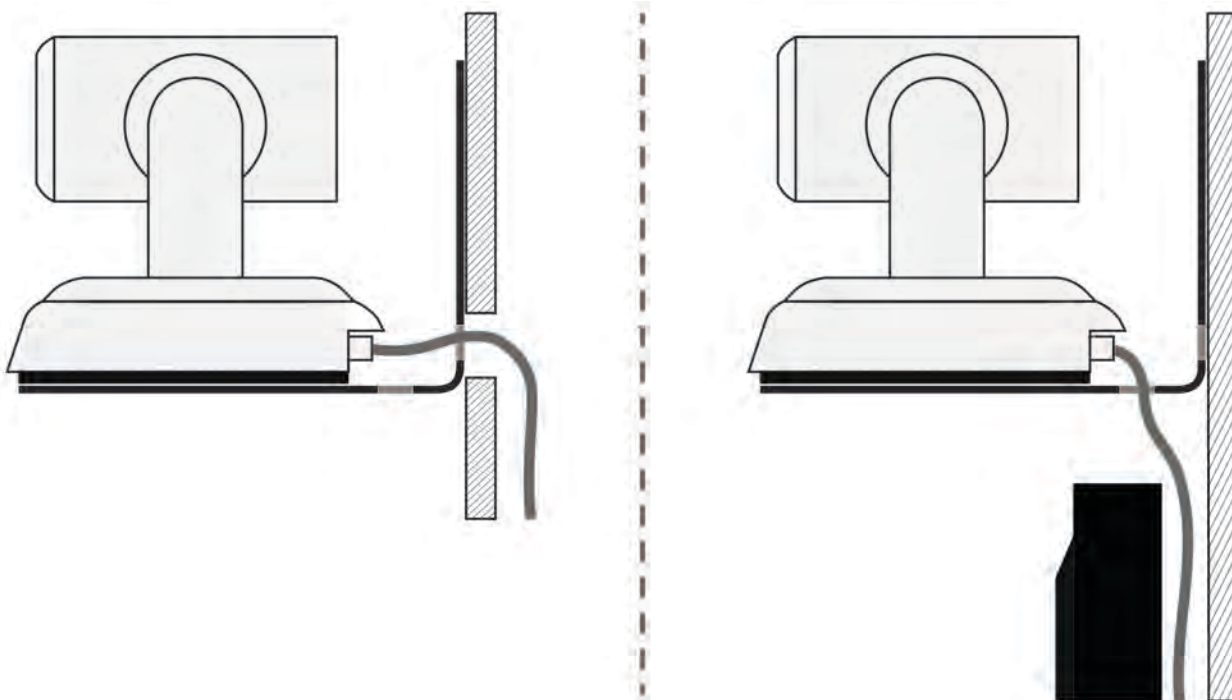


Image for illustration only; not to scale. Camera and mount details may differ.

Note

If the camera is jostled or bumped, it may require a pan-tilt reset.

Connecting the Camera

Here is an example of how the camera might be set up in a medium-size conference room. In this setup, a PC uses a unified communications conferencing application to manage the camera and an EasyUSB Mixer/Amp with attached microphones and speakers.



Note

ConferenceSHOT 10 camera output is USB 3.0; EasyUSB Mixer/Amp is USB 2.0.

Powering Up the Camera

Connect camera power.

The camera will initialize and move. This will take a few seconds. When an image is available, the camera is ready to accept control information.

Status Light

The light in the camera's base indicates its current state.

- Blue – Camera is active
- Purple – Standby mode or booting
- Yellow – Firmware update is in progress
- Blinking blue – USB cable is disconnected
- Blinking yellow – Motor out of calibration
- Blinking purple – Error

Caution

Do not remove power or reset the camera while the indicator is yellow, showing a firmware update in progress. Interrupting a firmware update can make the camera unusable.

Next Steps

The camera is now ready to configure and use. This information is available in the **Configuration and Administration Guide for ConferenceSHOT 10 Enterprise-Class PTZ Conferencing Camera**. It is also included in the **Integrator's Complete Guide to ConferenceSHOT 10 Enterprise-Class PTZ Conferencing Camera**.

Operation, Storage, and Care

For smears or smudges on the product, wipe with a clean, soft cloth. Use a lens cleaner on the lens. Do not use any abrasive chemicals.

Keep this device away from food and liquids.

Do not operate or store the device under any of the following conditions:

- Temperatures above 40°C (104°F) or below 0°C (32°F)
- High humidity, condensing or wet environments
- Inclement weather
- Severe vibration
- Between converging tectonic plates
- Dry environments with an excess of static discharge

Do not attempt to take this product apart. There are no user-serviceable components inside.

Compliance Statements and Declarations of Conformity

Compliance testing was performed to the following regulations:

FCC Part 15 (15.107, 15.109), Subpart B	Class A
ICES-003, Issue 54: 2012	Class A
EMC Directive 2004/108/EC	Class A
EN 55022: December 2010	Class A
EN 55024: November 2010	Class A
KN22 2008 (CISPR 22: 2006)	Class A
KN24 2008 (CISPR 24: 1997 + A1: 2000 + A2: 2002)	Class A
IEC 60950-1:2005 (2nd Edition); Am 1: 2009 + Am 2: 2013	Safety
EN 60950-1: 2006 + A11: 2009 + A1: 2010 + A12: 2011 + A2: 2013	Safety

FCC Part 15 Compliance

This equipment has been tested and found to comply with the limits for a Class A digital device, pursuant to Part 15, Subpart B, of the FCC Rules. These limits are designed to provide reasonable protection against harmful interference when the equipment is operated in a commercial environment. This equipment generates, uses, and can radiate radio frequency energy and, if not installed and used in accordance with the instruction manual, may cause harmful interference to radio communications. Operation of this equipment in a residential area is likely to cause harmful interference in which case the user will be required to correct the interference at his/her own expense.



Operation is subject to the following two conditions: (1) This device may not cause interference, and (2) This device must accept any interference including interference that may cause undesired operation of the device.

Changes or modifications not expressly approved by Vaddio can affect emission compliance and could void the user's authority to operate this equipment.

ICES-003 Compliance

This digital apparatus does not exceed the Class A limits for radio noise emissions from digital apparatus set out in the Radio Interference Regulations of the Canadian Department of Communications.

Le présent appareil numérique n'émet pas de bruits radioélectriques dépassant les limites applicables aux appareils numériques de la classe A prescrites dans le Règlement sur le brouillage radioélectrique édicté par le ministère des Communications du Canada.



European Compliance

This product has been evaluated for electromagnetic compatibility under the EMC Directive for Emissions and Immunity and meets the requirements for a Class A digital device. In a domestic environment this product may cause radio interference in which case the user may be required to take adequate measures.

Standard(s) To Which Conformity Is Declared:



EMC Directive 2004/108/EC

EN 55022: December 2010

EN 55024: November 2010

EN 61000-4-2: 1995 + Amendments A1: 1998 + A2: 2001

EN 61000-4-3: 2006 + A1: 2008

EN 61000-4-4: 2004 + Corrigendum 2006

EN 61000-4-5: 2006

EN 61000-4-6: 2009

EN 61000-4-8: 2010

EN 61000-4-11: 2004

KN22 2008 (CISPR 22: 2006)

KN24 2008 (CISPR 24: 1997 + A1: 2000 + A2: 2002)

EN 61000-4-2

EN 61000-4-3

EN 61000-4-4

EN 61000-4-5

EN 61000-4-6

EN 61000-4-8

EN 61000-4-11

IEC 60950-1: 2005 (2nd Edition); Am 1: 2009 + Am 2: 2013

EN 60950-1: 2006 + A11: 2009 + A1: 2010 + A12: 2011 + A2: 2013

Conducted and Radiated Emissions

Immunity

Electrostatic Discharge

Radiated Immunity

Electrical Fast Transients

Surge Immunity

Conducted Immunity

Power Frequency Magnetic Field

Voltage Dips, Interrupts and
Fluctuations

Conducted and Radiated Emissions

IT Immunity Characteristics

Electrostatic Discharge

Radiated Immunity

Electrical Fast Transients

Surge Immunity

Conducted Immunity

Power Frequency Magnetic Field

Voltage Dips, Interrupts and
Fluctuations

Safety

Safety

Warranty Information

See Vaddio Warranty, Service and Return Policies posted on support.vaddio.com for complete details.

Hardware* warranty: Two (2) year limited warranty on all parts and labor for Vaddio manufactured products. Vaddio warrants its manufactured products against defects in materials and workmanship for a period of two years from the day of purchase, to the original purchaser, if Vaddio receives notice of such defects during the warranty. Vaddio, at its option, will repair or replace products that prove to be defective. Vaddio manufactures its hardware products from parts and components that are new or equivalent to new in accordance with industry standard practices.

Exclusions: The above warranty shall not apply to defects resulting from improper or inadequate maintenance by the customer, customers applied software or interfacing, unauthorized modifications or misuse, mishandling, operation outside the normal environmental specifications for the product, use of the incorrect power supply, modified power supply or improper site operation and maintenance. OEM and special order products manufactured by other companies are excluded and are covered by the manufacturer's warranty.

Vaddio Customer Service: Vaddio will test, repair, or replace the product or products without charge if the unit is under warranty. If the product is out of warranty, Vaddio will test then repair the product or products. The cost of parts and labor charge will be estimated by a technician and confirmed by the customer prior to repair. All components must be returned for testing as a complete unit. Vaddio will not accept responsibility for shipment after it has left the premises.

Vaddio Technical Support: Vaddio technicians will determine and discuss with the customer the criteria for repair costs and/or replacement. Vaddio Technical Support can be contacted by email at support@vaddio.com or by phone at one of the phone numbers listed on support.vaddio.com.

Return Material Authorization (RMA) number: Before returning a product for repair or replacement request an RMA from Vaddio's technical support. Provide the technician with a return phone number, e-mail address, shipping address, product serial numbers and original purchase order number. Describe the reason for repairs or returns as well as the date of purchase. See the General RMA Terms and Procedures section for more information. RMAs are valid for 30 days and will be issued to Vaddio dealers only. End users must return products through Vaddio dealers. Include the assigned RMA number in all correspondence with Vaddio. Write the assigned RMA number clearly on the shipping label of the box when returning the product. All products returned for credit are subject to a restocking charge without exception. Special order product are not returnable.

Voided warranty: The warranty does not apply if the original serial number has been removed or if the product has been disassembled or damaged through misuse, accident, modifications, use of incorrect power supply, use of a modified power supply or unauthorized repair.

Shipping and handling: Vaddio will not pay for inbound shipping transportation or insurance charges or accept any responsibility for laws and ordinances from inbound transit. Vaddio will pay for outbound shipping, transportation, and insurance charges for all items under warranty but will not assume responsibility for loss and/or damage by the outbound freight carrier. If the return shipment appears damaged, retain the original boxes and packing material for inspection by the carrier. Contact your carrier immediately.

Products not under warranty: Payment arrangements are required before outbound shipment for all out of warranty products.

Index

A

anatomy of the camera 6

C

cable connectors 6, 9
camera mount 8, 10
 installing 10
camera placement 8
ceiling-mounted cameras 10
cleaning 13
color codes for status light 12
connection diagram 12
connectors 6

D

damage, preventing 4, 8-9
diagram, connection 12
DIP switches 6
 location 6
 settings 6

E

Ethernet port 6

I

indicator light, meaning of colors 12
installation 10, 12
 basic connections 12
 camera mount 10
inverted installation 10

L

light, status indicator 12
location of the camera 8
locations of connectors 6

M

mount 8, 10
mounting the camera 8, 11

N

network port 6

O

operating environment 8, 13

P

packing list 4
part numbers 4
precautions 4, 8
 for operating the system 8
product returns and repairs 16

R

requirements 8
 installation 8
 mounting 8
RJ-45 connectors 9

S

shelf-mounted cameras 11
shelf, camera mount 10
status light 12
 meanings of colors 12
storage environment 13
switch location 6
switch settings 6, 10
 camera ID (DIP switch) 6
 image flip (DIP switch) 6, 10

T

temperature, operating and storage 13

U

USB port 6

W

wall mount 10
 installing 10
warranty 8, 16

Vaddio is a brand of Milestone AV Technologies · www.milestone.com

Phone 800.572.2011 / +1.763.971.4400 · Fax +1.763.971.4464 · Email info@vaddio.com

Visit us at support.vaddio.com for firmware updates, specifications, drawings, manuals, technical support information, and more.

Vaddio, ConferenceSHOT, RoboSHOT, and EasyUSB are trademarks or registered trademarks of Milestone AV Technologies. All other brand names or marks are used for identification purposes and are trademarks of their respective owners.

In British Columbia, Milestone AV Technologies ULC carries on business as MAVT Milestone AV Technologies ULC.

©2017 Milestone AV Technologies

vaddio®