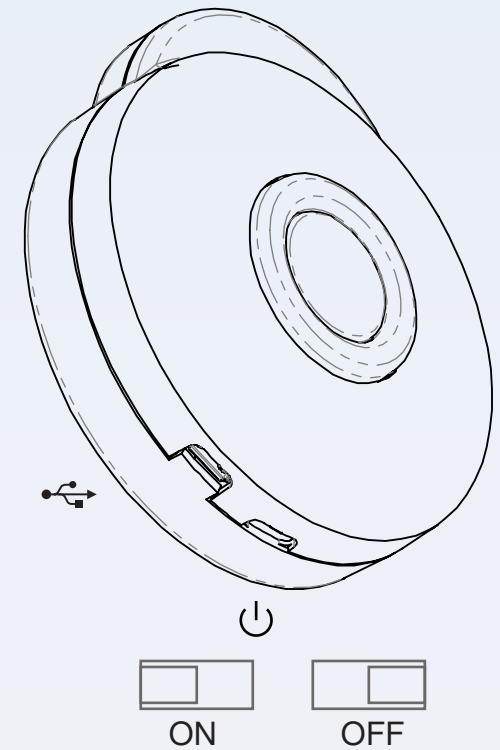
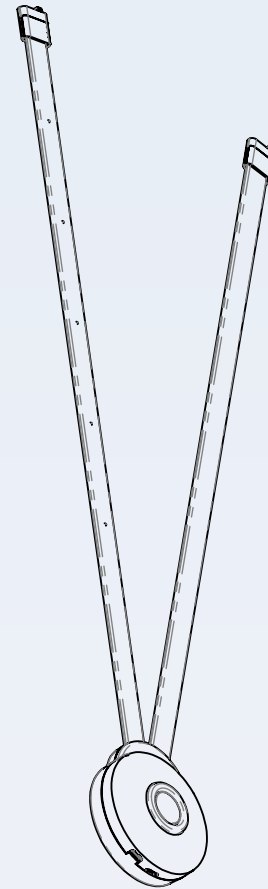
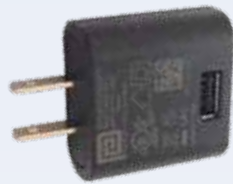
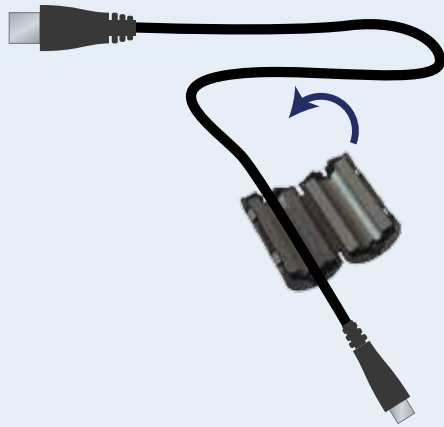


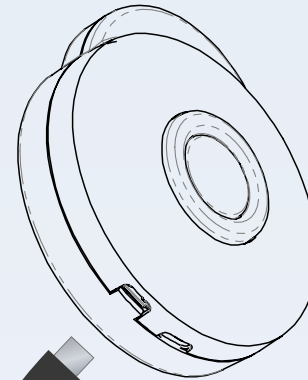
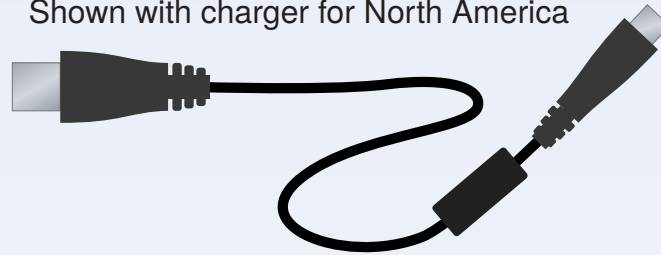
RoboTRAK IR Source Lanyard

999-7271-000 North America
999-7271-001 Europe and UK
999-7271-009 Australia and New Zealand





Shown with charger for North America



© 2016 Vaddio. All rights reserved.

Vaddio™ and RoboTRAK are trademarks of Vaddio.

Visit us at support.vaddio.com for firmware updates and complete product information - specifications, drawings, manuals, technical support information, and more.