

# RECESSED CEILING INSTALLATION KIT FOR THE CEILINGVIEW™ HD-18 DocCAM

For Gypsum Board or Hard Ceiling Applications

Part Number: 998-2225-052

Figure 1: Recessed Ceiling Installation Kit with Call-outs



## Overview:

The Vaddio Recessed Ceiling Installation Kit was designed to provide integrators with an easy to install solution for mounting the CeilingVIEW HD-18 DocCAM into gypsum board or hard ceiling applications. The kit allows the integrator to install the enclosure from below the ceiling and have a trim ring large enough to cover the entire back box enclosure and mounting plates. Please use this manual along with the manual, Document Number 342-0195, to install the CeilingVIEW HD-18 DocCAM.

## The 998-2225-051 Recessed Ceiling Installation Kit includes:

- One (1) Large Trim Ring (12.5" / 317.5mm OD x 5.165" / 131.2mm ID)
- Two (2) 6-32 x .5" White Flat Head Screws for Trim Ring
- Two (2) Mounting Plates (when attached to enclosure, acts as mounting flanges)
- Four (4) 6-32 x .25" Black Flat Head Screws (to attach the Mounting Plates to enclosure)
- Four (4) Spiral Wall Anchors
- Four (4) #8 x 1.25" Sheet Metal Screws for Wall Anchors
- One (1) Tech Spec/User Manual

**Install Notes:** Before starting the installation of the CeilingVIEW HD-18 DocCAM, check above the ceiling where the camera is to be installed to verify the area is clear of obstructions and confirm that there is adequate room for the camera enclosure. All above-ceiling work must conform to local building codes and should be performed by qualified personnel. Safety comes first, so please use safe tools, ladders and installation practices.

## STEP-BY-STEP Installation Instructions:

**Step 1:** The Recessed Ceiling Installation Kit is intended to be mounting into an existing gypsum board ceiling. There is not a pre-installation back box available. Cut a square hole or have the ceiling contractor cut the hole in the ceiling to the following dimension: 8-1/8" (206.375mm) x 8-1/8" (206.375mm).

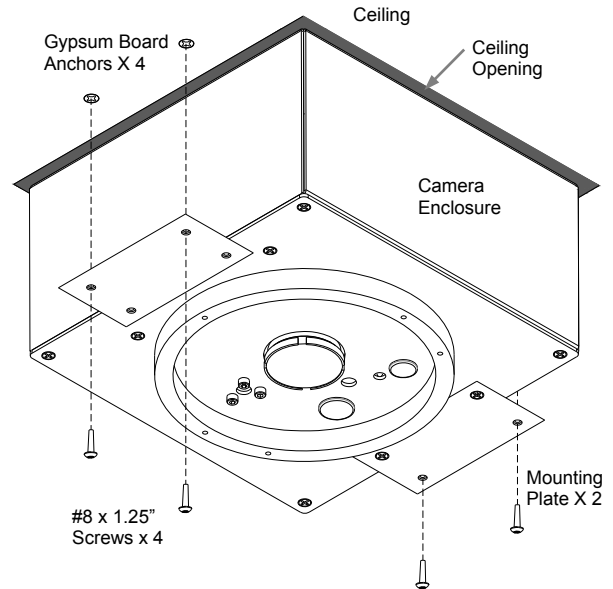


**Step 2:**

After the hole in the ceiling is cut, pull the plenum rated Cat-5e cables, or plenum rated coax (for RGBHV) through the opening and connect the camera as directed in the manual for the CeilingVIEW HD-18 DocCAM in Document Number 342-0195.

**Step 3:**

Attach the mounting plates with the provided 6-32 x .25" black flat head screws to the camera enclosure and dry fit the enclosure into the opening. Mark the position of the wall anchors on the ceiling through the mounting plates. Remove the enclosure and install the spiral wall anchors or any other drywall anchor (like a toggle bolt - not supplied) of the integrator's choice or preference.



**Step 4:**

Before attaching the enclosure to the ceiling, it is probably a good idea to test the camera for video and control. Apply power to the Quick-Connect SR Interface or the Quick-Connect DVI/HDMI SR Interface according to the Document 342-0195. With the IR Remote, turn on the camera, check the video outputs on the Quick-Connect and move the zoom lens on the camera. When finished testing, drop the power to the Quick-Connect.

**Step 5:**

After the camera has been tested and the gypsum board anchors are installed, lift the enclosure into the opening, tuck the cabling in first, and secure the enclosure to the ceiling. Attach the trim ring with the white screws.

**Note:**

Quite often, there are better methods of installation than described herein. An integrator may want the extra security of toggle bolts on the gypsum board ceiling or additional bracing for the enclosure. Please feel free to improve your installation in anyway possible and keep in mind that safety always comes first, so again, please use safe tools, ladders and installation practices.

**Hardware Warranty**

Please see the Vaddio website at <http://www.vaddio.com> for the Vaddio Statement of Warranty for all Vaddio Products. The Statement of Warranty covers the policies and procedures of the Hardware Warranty, Exclusions, Customer Service, Technical Support, Return Material Authorizations (RMA), Voided Warranty, Shipping and Handling and Products Not Under Warranty. The Vaddio Warranty Statement supercedes all other published warranty statements in content and coverages. Vaddio Technical Support can be contacted through the Vaddio website or through e-mail support at <mailto:support@vaddio.com>.

**General Specifications**

Recessed Ceiling Installation Kit for CeilingVIEW HD-18 DocCAM	
Part Number	998-2225-052 (World Wide)
Trim Ring	Spun Form Aluminum 0.08 thick material, 12.5" (317.5mm) OD x 5.165" (131.2mm) ID x 0.58" (14.7mm) formed thickness, powder coated white, Weight: .95 lbs., (.431kg)
Mounting Plates	3.5" (88.9mm) Tall x 1.88 (47.75mm) Wide x 0.08 (203mm) Thick, Weight each: .0515 lbs (.0234kg)
Mounting Hardware	Included



9433 Science Center Drive, Minneapolis, MN 55428  
 Toll Free: 800-572-2011 • Phone: 763-971-4400 • FAX: 763-971-4464