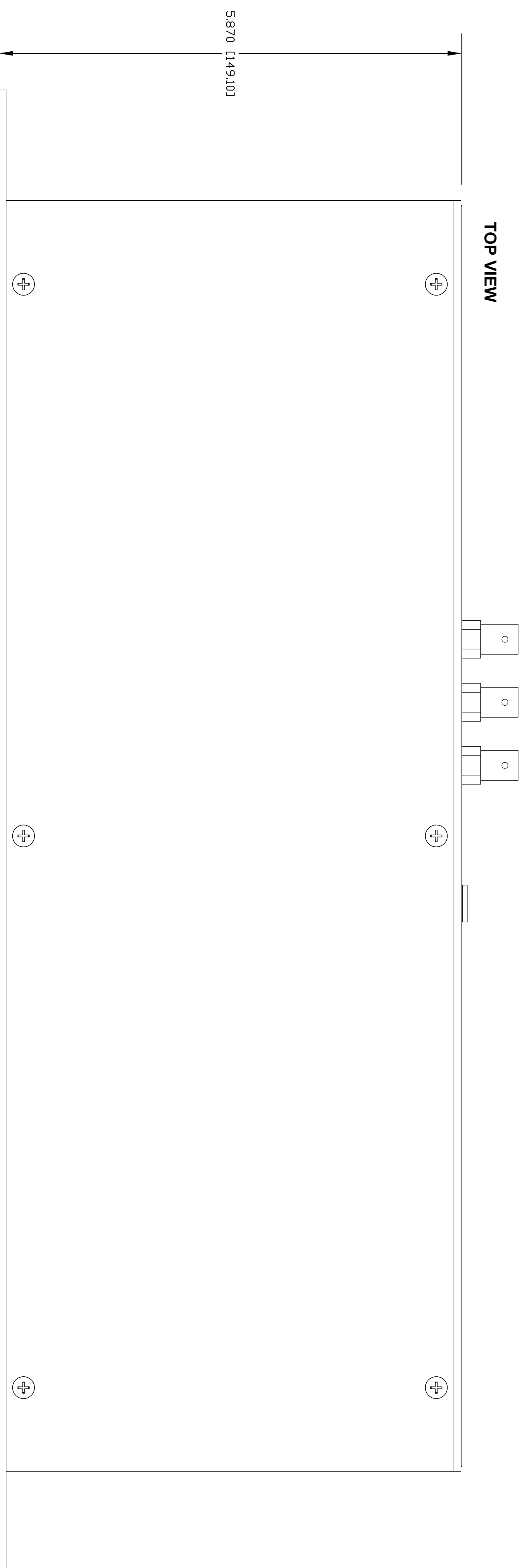
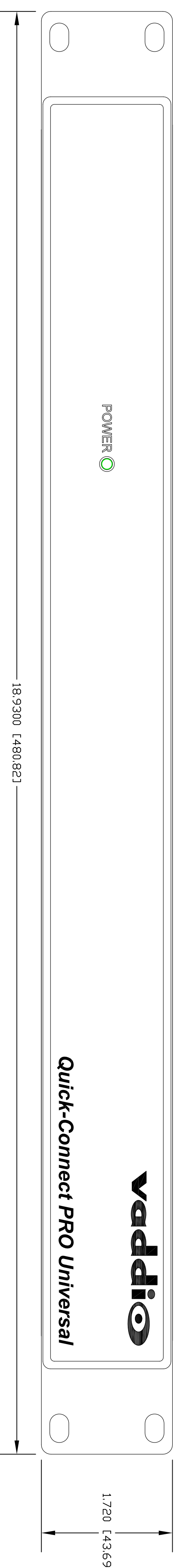


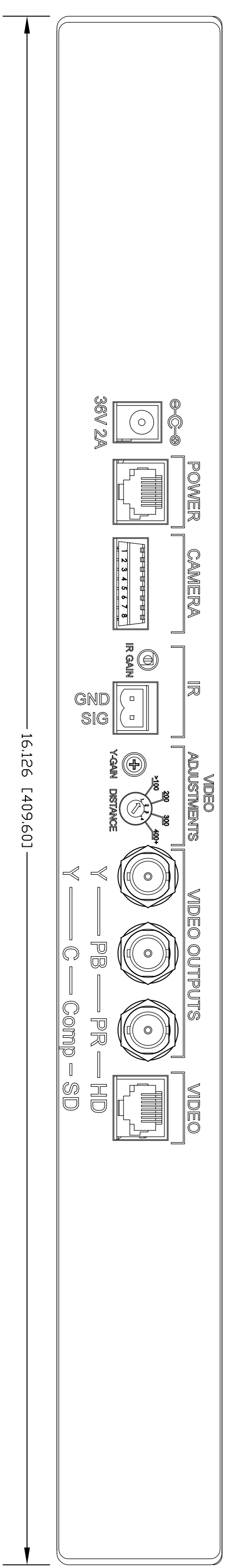
Quick-Connect PRO



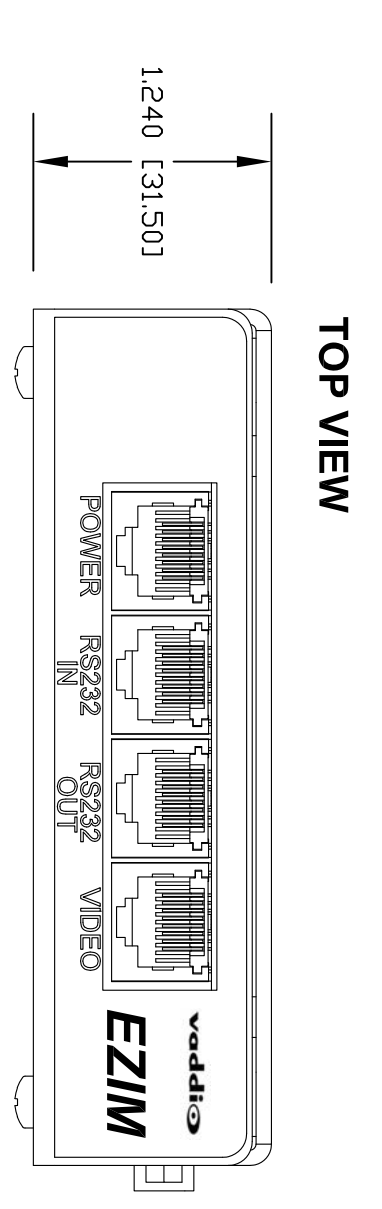
FRONT VIEW



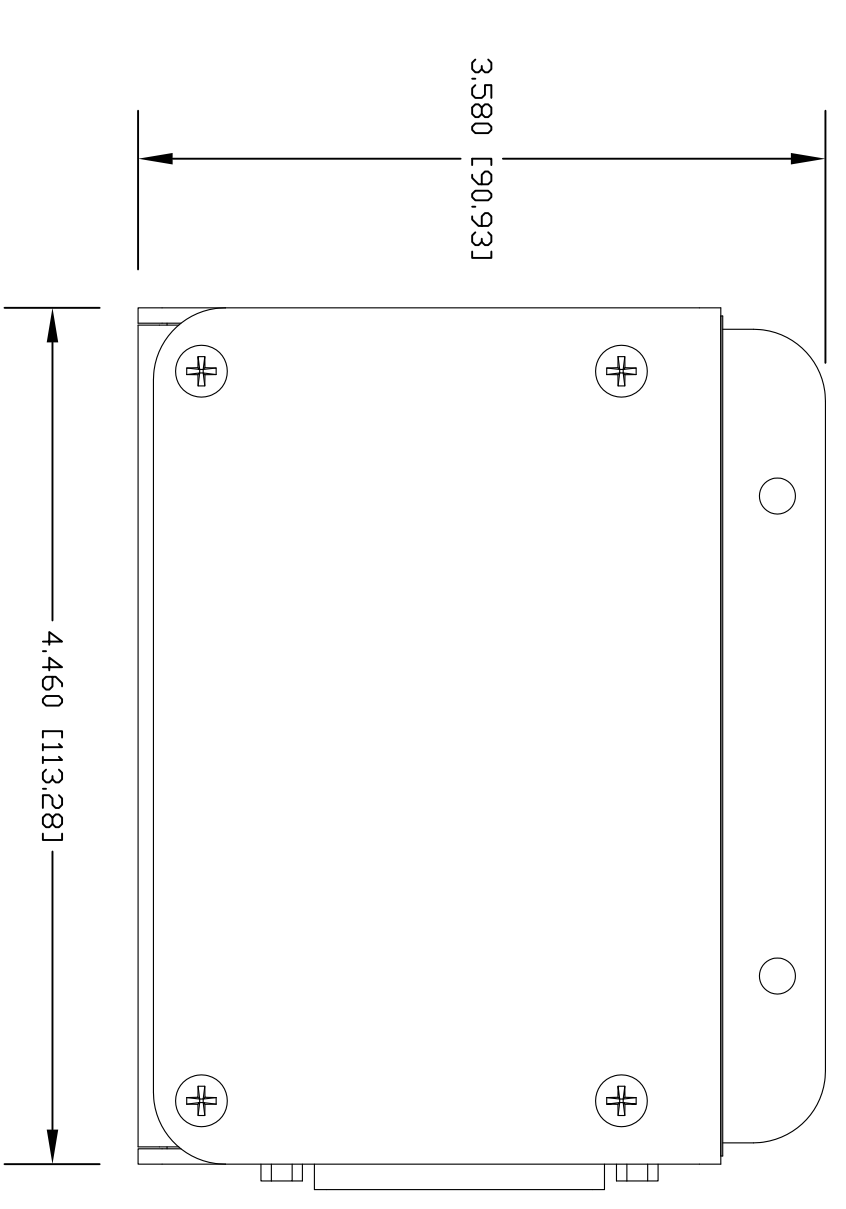
REAR VIEW



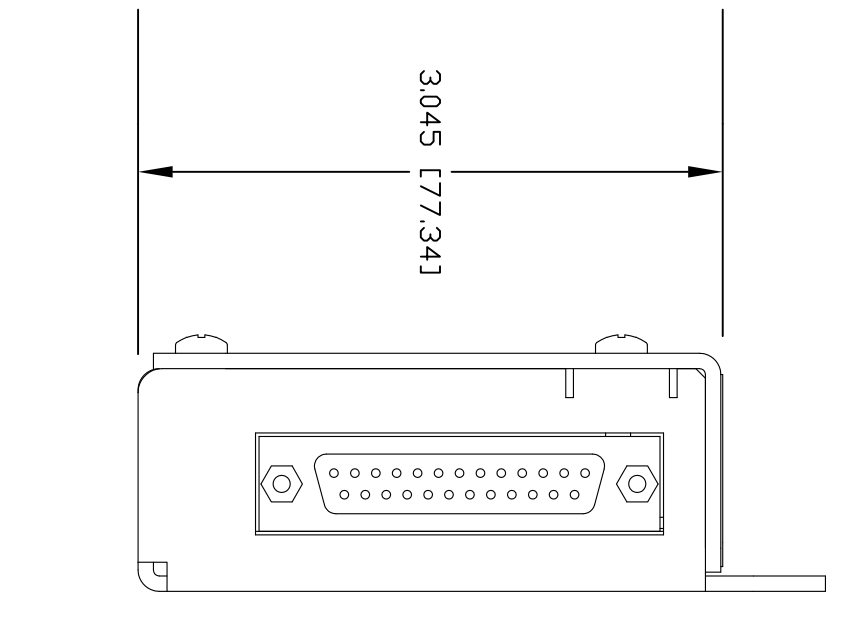
EZIM (EZCamera Interface Module)



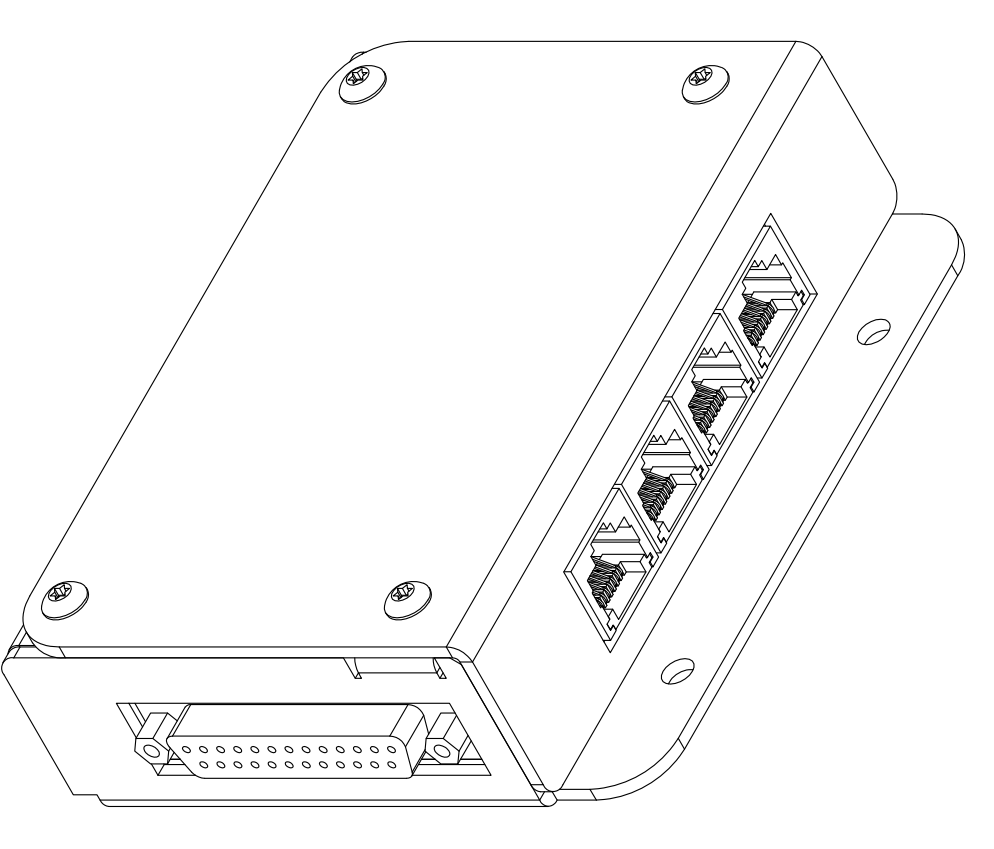
FRONT VIEW



SIDE VIEW



ISO VIEW



vaddio		GENERAL NOTES: DIMENSIONS ARE IN INCHES UNLESS OTHERWISE NOTED. DIMENSIONS ARE TO FACE UNLESS OTHERWISE NOTED. DIMENSIONS ARE TO CENTER UNLESS OTHERWISE NOTED. DIMENSIONS ARE TO DIMENSION LINE UNLESS OTHERWISE NOTED. DIMENSIONS ARE TO DIMENSION LINE UNLESS OTHERWISE NOTED. DIMENSIONS ARE TO DIMENSION LINE UNLESS OTHERWISE NOTED. DIMENSIONS ARE TO DIMENSION LINE UNLESS OTHERWISE NOTED.	
Quick-Connect PRO (998-1105-009) & EZIM (998-6700-001)			
FOR HD AND SD RESOLUTION CAMERAS			
DRAWN	CHECKED	APPROVED	DATE
RAR		RAR	02/04/10
THIS DRAWING, INCLUDING ALL SUBJECT MATTERS INDICATED THEREON OR DERIVED THEREFROM, IS THE PROPERTY OF VADDIO. IT IS TO BE USED ONLY FOR THE PROJECT AND FOR THE PURPOSES SPECIFIED THEREON. ALL RIGHTS RESERVED. ©1979-2010 VADDIO			
TOLERANCES	SCALE	DRAWING NO.	REV
CES - BLACK POWDERCOAT	1:1	1105-009	A
COMMENTS	SIZE	PLOTTER PUBLISHING CONTACT: PENC - NOT INCLUDED	
	D		