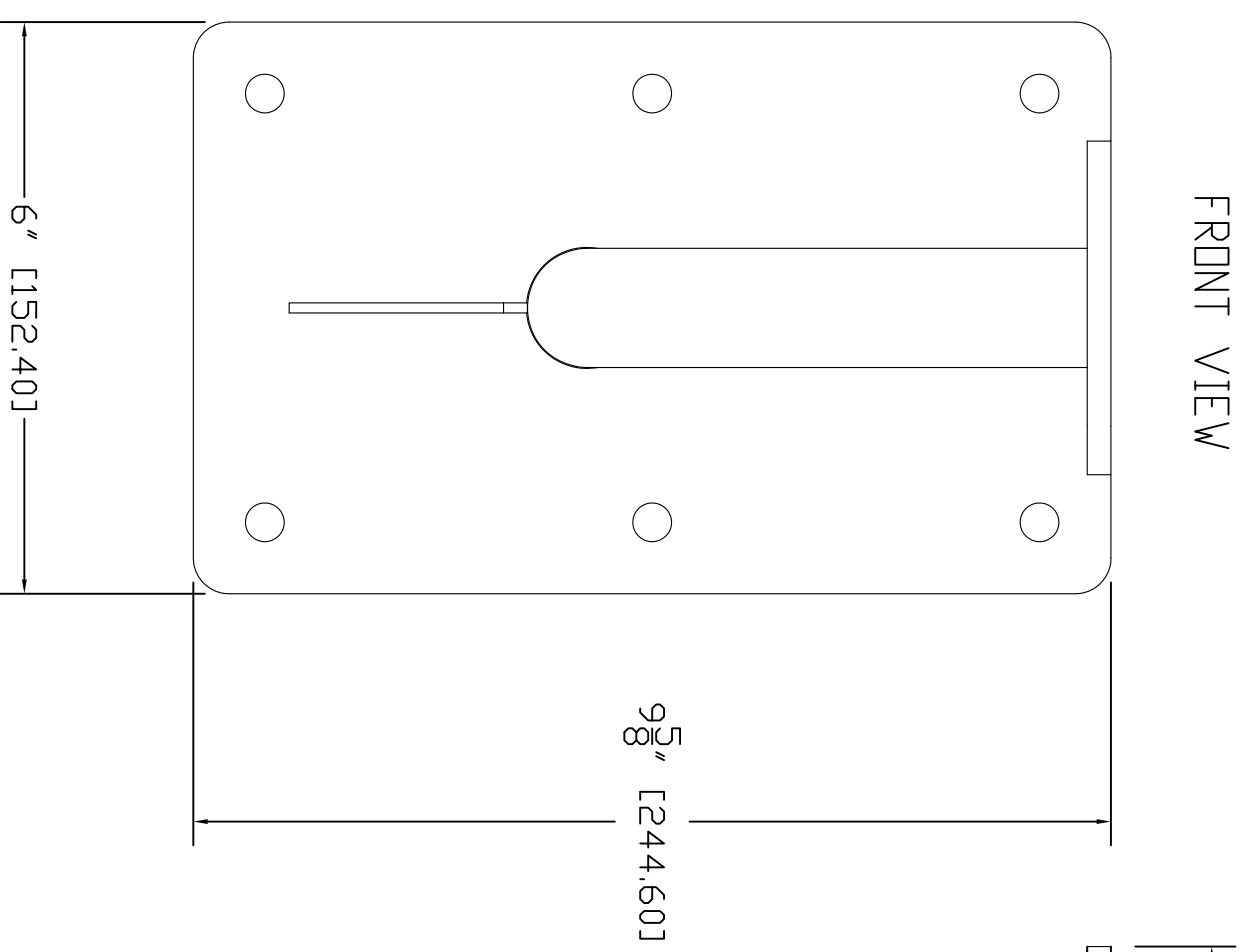
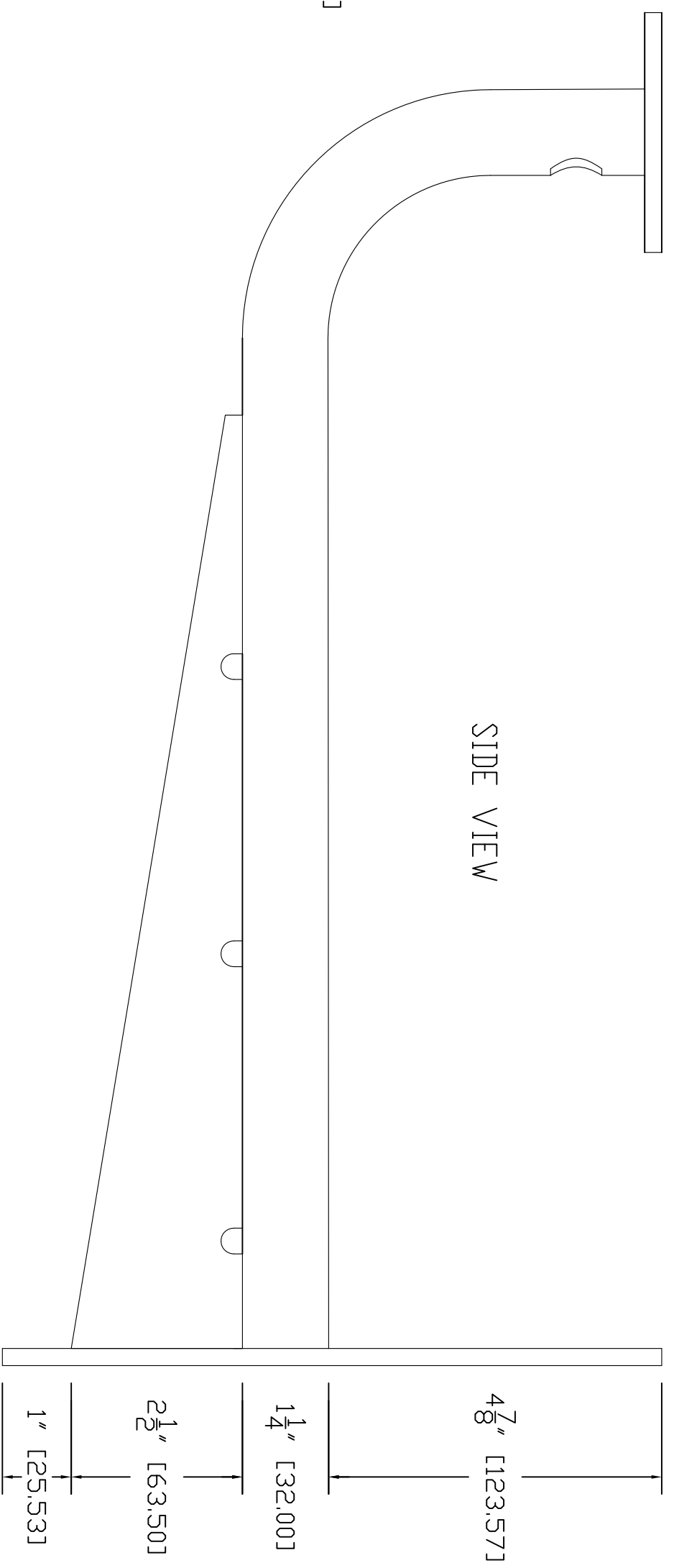


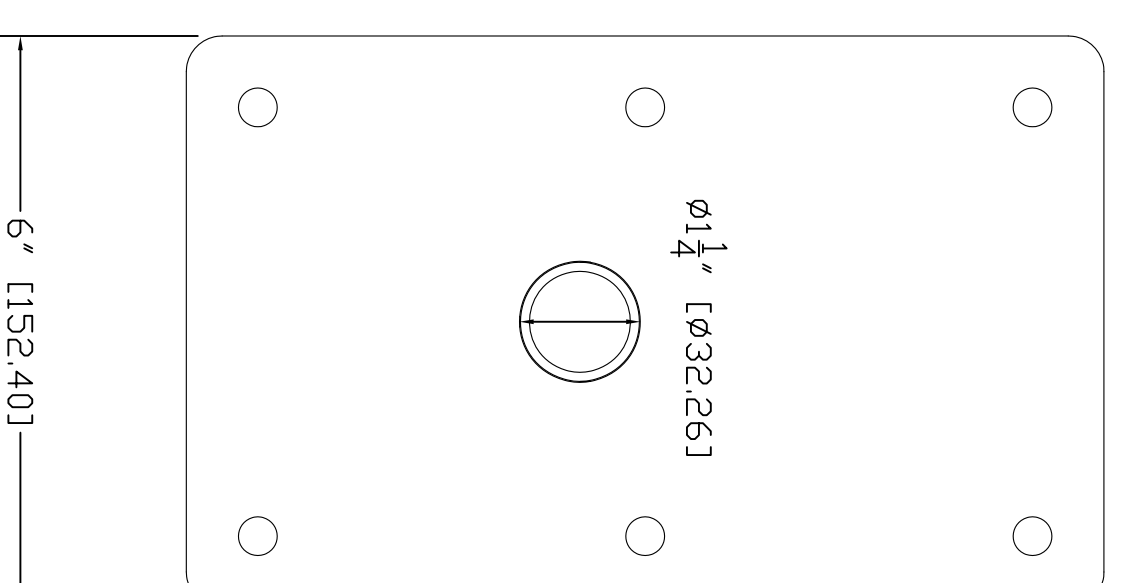
FRONT VIEW


 $3\frac{1}{2}$ " [88.901]

SIDE VIEW

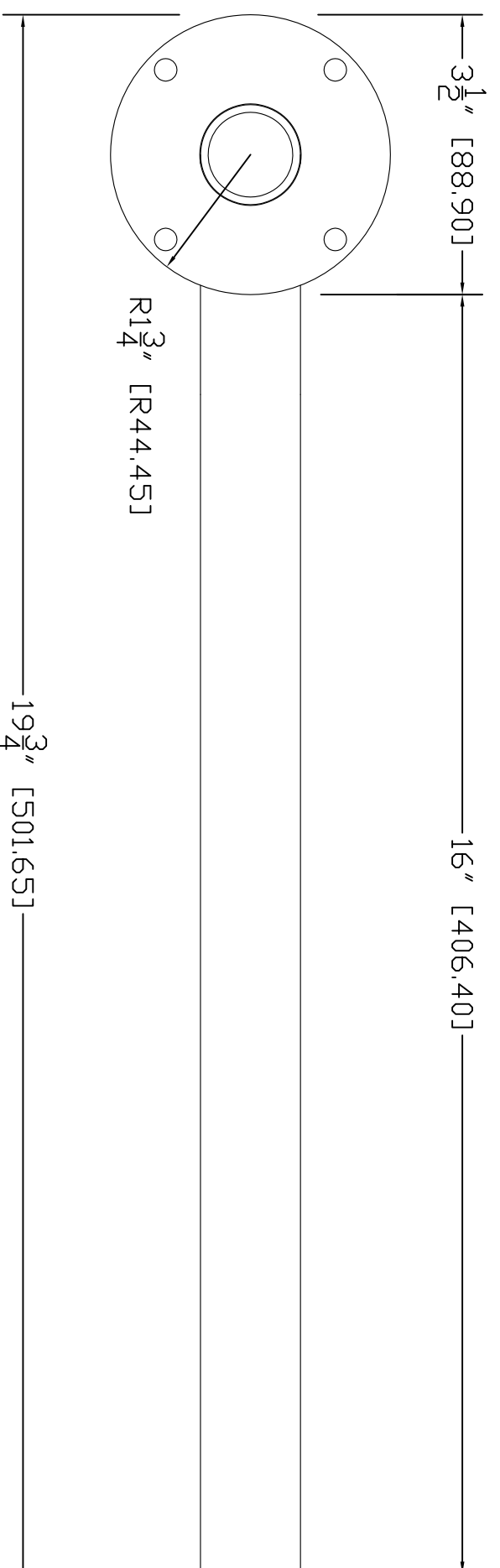


REAR VIEW

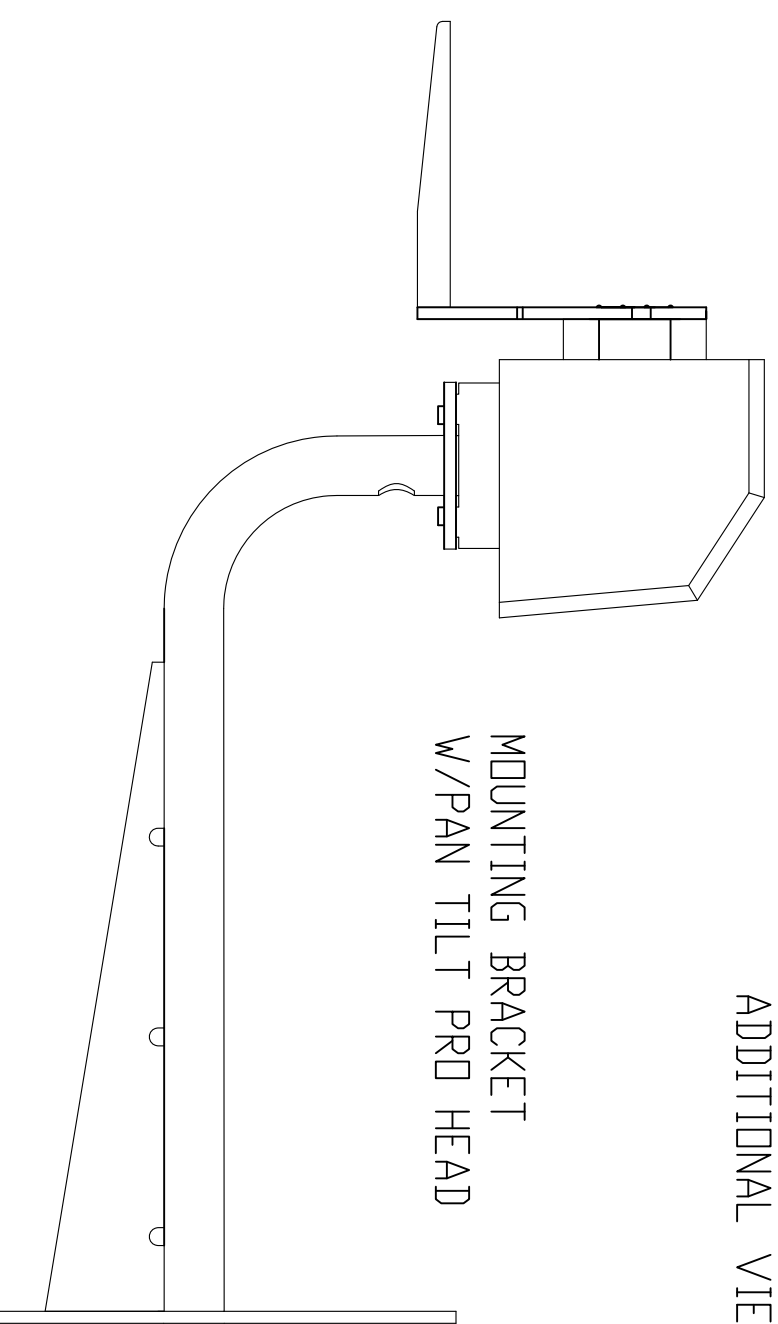

 $\frac{1}{4}$ " [6.351]

-1.1

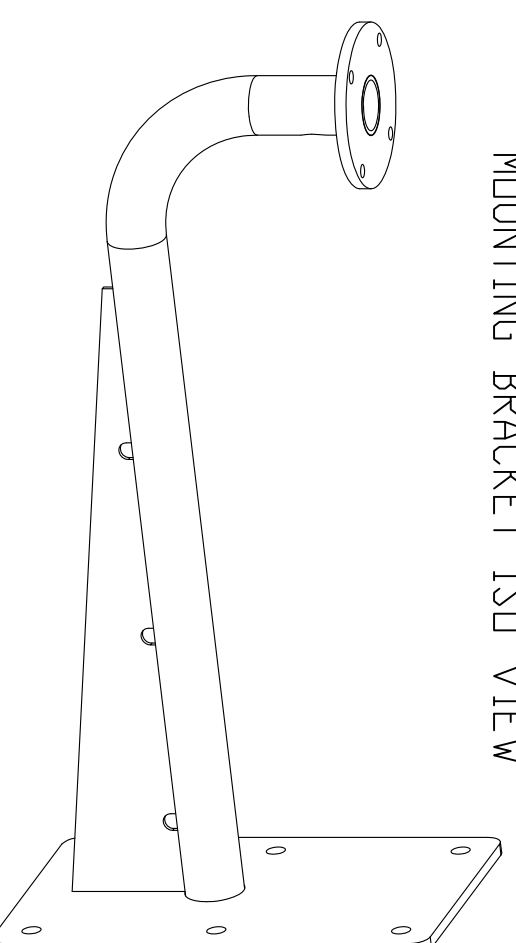
TOP VIEW



ADDITIONAL VIEWS - SCALE: 1:2

MOUNTING BRACKET  
W/PAN TILT PRD HEAD

MOUNTING BRACKET ISD VIEW



GENERAL NOTES:  
DIMENSIONS ARE IN INCHES (cm) UNLESS OTHERWISE NOTED.  
DO NOT DISTRIBUTE WITHOUT EXPRESS WRITTEN PERMISSION  
OF VADDIO. DUE TO OUR CONTINUING EFFORTS TO ENHANCE  
OUR PRODUCTS, WE RESERVE THE RIGHT TO CHANGE  
SPECIFICATIONS WITHOUT PRIOR NOTICE OR OBLIGATION.

PAN TILT PRD WALL MOUNT

PART NUMBER 998-6521-001, MULTIPLE VIEWS

| DRAWN     |     | CHECKED |     | APPROVED                            |       | DATE   |             |
|-----------|-----|---------|-----|-------------------------------------|-------|--------|-------------|
| WLF/RAR   | RAR | RAR     | RAR | 03/05/2008                          |       |        |             |
| MATERIALS |     |         |     | STEEL                               | SCALE | 1:1    | DRAWING NO. |
| FINISH    |     |         |     | BLACK FLAT POWDERCOAT PCC # 806-394 | SIZE  | ANSI E | 6521-001    |
|           |     |         |     |                                     |       |        | REV         |
|           |     |         |     |                                     |       |        | A           |

THIS DRAWING, INCLUDING ALL SUBJECT MATTERS INDICATED THEREON OR DERIVED THEREFROM,  
COMPRISES PROPRIETARY INFORMATION AND IS THE EXPRESS PROPERTY OF VADDIO.  
All Rights Reserved - Copyright 2008